

ML100-A

Frame & Engine Parts

2013 EDITION



UNIVERSAL

HARDWARE®

Box 585, Center Road
Spanish Lookout
Tel 501 823 0254
sales@universalhardware.bz

3380 Chetumal Street
Belize City
Tel 501 224 4140
salesbz@universalhardware.bz

F-01 灯具 LIGHTS



1001-1	Front Winker,RH	
1001-2	Headlight Assy	
1001-3	Front Winker,LH	
1001-4	Taillight Assy	
1001-5	Bulb 12v-10w	
1001-6	Bulb 12V-35/35W Headlight	
1001-7	Taillight Bulb (12v-21w/5w)	

F-02 仪表总成 METER ASSY



1002-1	Meter Assy	
1002-2	Bulb 12V-1.7W	
1002-3	Odometer Cable Comp.(disc brake)	
1002-4	Throttle Cable	
1002-5	Choke Cable	
1002-6	Meter Cable - Meter Wire Harness	

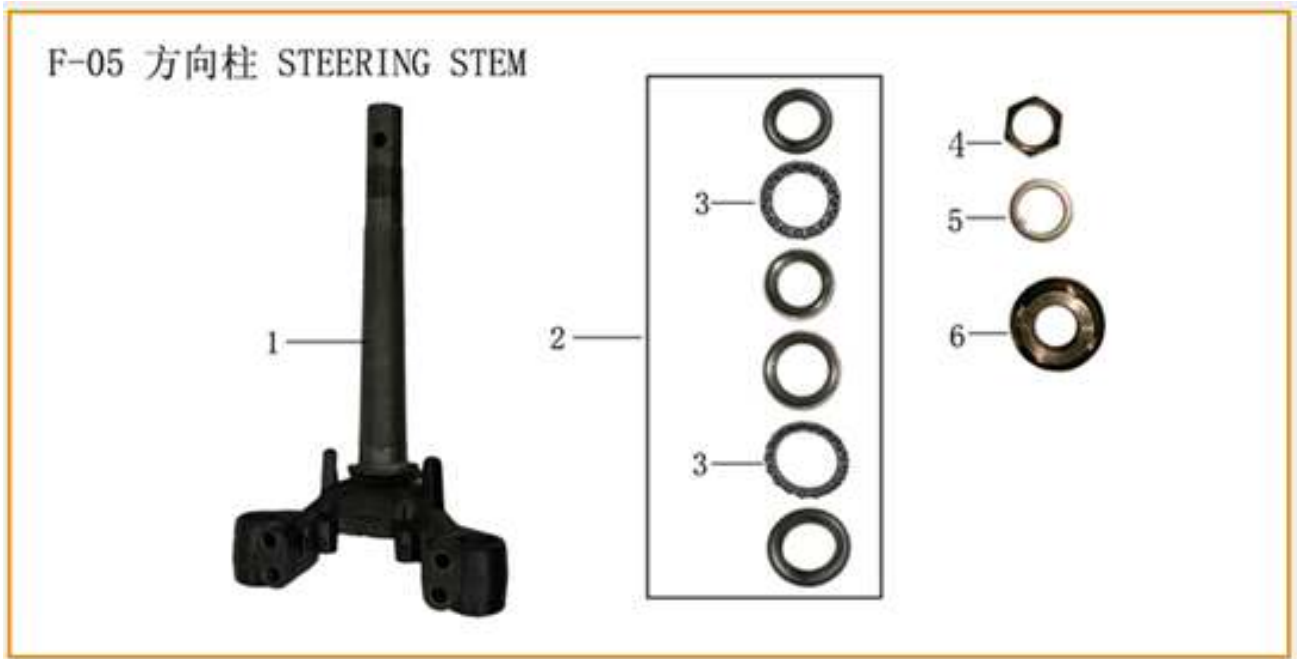


1003-1	RearView Mirror,LH	
1003-2	Handlebar Switch,LH	
1003-3	Steering Bar Comp.	
1003-4	Grip,LH	
1003-5	Steering Bar Balance Weight Set	
1003-6	Choke Lever	
1003-7	Choke Seat	
1003-8	Rearview Mirror,RH	
1003-9	Throttle Grip Comp.	
1003-10	Handlebar Switch,RH	
1003-11	Holder for Mirror	
1003-12	Front Brake Lever	
1003-13	Front Brake Switch	
1003-14	Clamp / Washer for Steering Bar	

F-04 前照灯护罩 HEADLIGHT HOOD



1004-1BA	Headlight Hood Black	
1004-1BU	Headlight Hood Blue	
1004-1G	Headlight Hood Green	
1004-1R	Headlight Hood Red	
1004-2	Meter Case	
1004-3BA	Front Cover Black	
1004-3BU	Front Cover Blue	
1004-3G	Front Cover Green	
1004-3R	Front Cover Red	
1004-4	Mid Guard	



1005-1	Steering Stem	
1005-2	Steering Stem Bearing Set	
1005-3	Steering Stem Bearing Ball	
1005-4	Locknut I	
1005-5	Washer Steering Stem Adjusting	
1005-6	Adjusting Nut Set	

F-06 前挡泥板 FRONT FENDER



1006-1BA	Front Fender Black	
1006-1BU	Front Fender Blue	
1006-1G	Front Fender Green	
1006-1R	Front Fender Red	
1006-2BA	Front Fender Ornament,RH Black	
1006-2BU	Front Fender Ornament,RH Blue	
1006-2G	Front Fender Ornament,RH Green	
1006-2R	Front Fender Ornament,RH Red	
1006-3BA	Front Fender Ornament,LH Black	
1006-3BU	Front Fender Ornament,LH Blue	
1006-3G	Front Fender Ornament,LH Green	
1006-3R	Front Fender Ornament,LH Red	
1006-4	Odometer Cable Grommet	



1007-1	Dust Cover	
1007-2	Oil Seal,Shock Absorber	
1007-3	Bracket, Licnese Plate	
1007-4	Front Shock Absorber,RH	
1007-5	Front Shock Absorber,LH	
1007-6	Rear Shock Absorber	



1008-1	Gear, drive	
1008-2	Front Brake Assy	
1008-3	Front Brake Shoe Set	
1008-4	Front Brake Cable	
1008-5	Odometer,Cable Comp.(drum)	
1008-6	Front Brake Spring	
1008-7	Front Brake Cam	
1008-8	Front Brake Arm	



1009-1	Front Tube(2.50-17)	
1009-2	Front Tyre(2.50-17-6PR)	
1009-3	Front Wheel Rim Comp.	
1009-4	Front Wheel Rim	
1009-5	Front Tyre Flap	
1009-6	Front Wheel Outer Spoke	
1009-7	Front Wheel Inner Spoke	
1009-8	Front Wheel Right Bush	
1009-9	Front Axle	
1009-10	Front Wheel Hub	
1009-11	Front Rim Alloy	
1009-12	Front Wheel Sleeve	
1009-13	LH & RH Bearing 6300	



10010-1	Rear Wheel Buffer	
10010-2	Sprocket Hub Comp	
10010-3	Sprocket	
10010-4	Rear Wheel Hub Set	
10010-5	Rear Tube(2.75-17)	
10010-6	Rear Tyre(2.75-17-4PR)	
10010-7	Rim Comp,Rear Wheel	
10010-8	Rear Wheel Rim(1.60x17)	
10010-9	Rear Tyre Flap	
10010-10	Rear Wheel Inner Spoke	
10010-11	Rear Wheel Outer Spoke	
10010-12	Rear Brake Shoe Set	
10010-13	Rear Brake	

10010-14	Rear Wheel Right Bush	
10010-15	Rear Wheel Bush,LH	
10010-16	Rear Axle	
10010-17	Rear Wheel Alloy Rim	
10010-18	LH & RH Bearing 6301	
10010-19	Sprocket Hub Bearing 6203	
10010-20	Rear Brake Cam	
10010-21	Rear Brake Arm	
10010-22	Sprocket Hub Sleeve	
10010-23	Rear Sprocket Hub Seal	
10010-24	Oring for Hub	
10010-25	Rear Sleeve Wheel Nut	



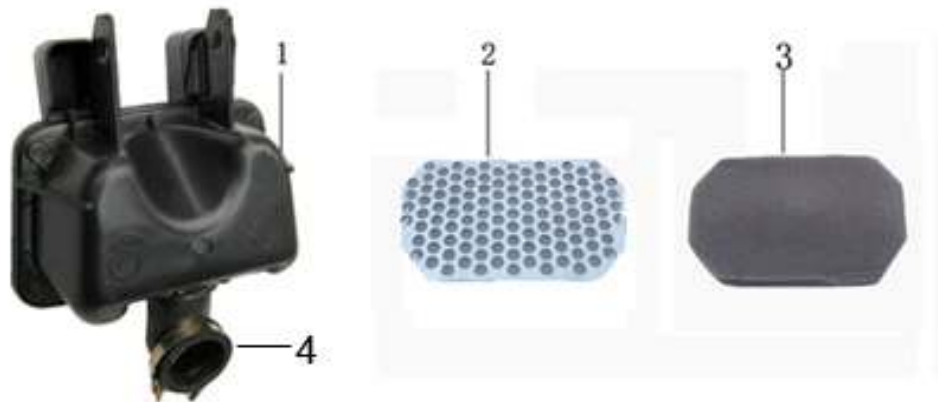
10011-1	Seat Assy	
10011-2	Rear Carrier Weldment	
10011-3	Tool Kit	
10011-4	Tool Box	
10011-5	Mid Carrier Comp	
10011-6	Seat Bracket Comp / Hinge	
10011-7	Front Seat Pad	

F-12 油箱总成 FUEL TANK ASSY



10012-1	Fuel Sensor	
10012-2	Fuel Filter Comp	
10012-3	Fuel Tank Connecting Block	
10012-4	Fuel Tank Weldment	
10012-5	Fuel Filler Cover	

F-13 空气滤清器总成 AIR CLEANER ASSY



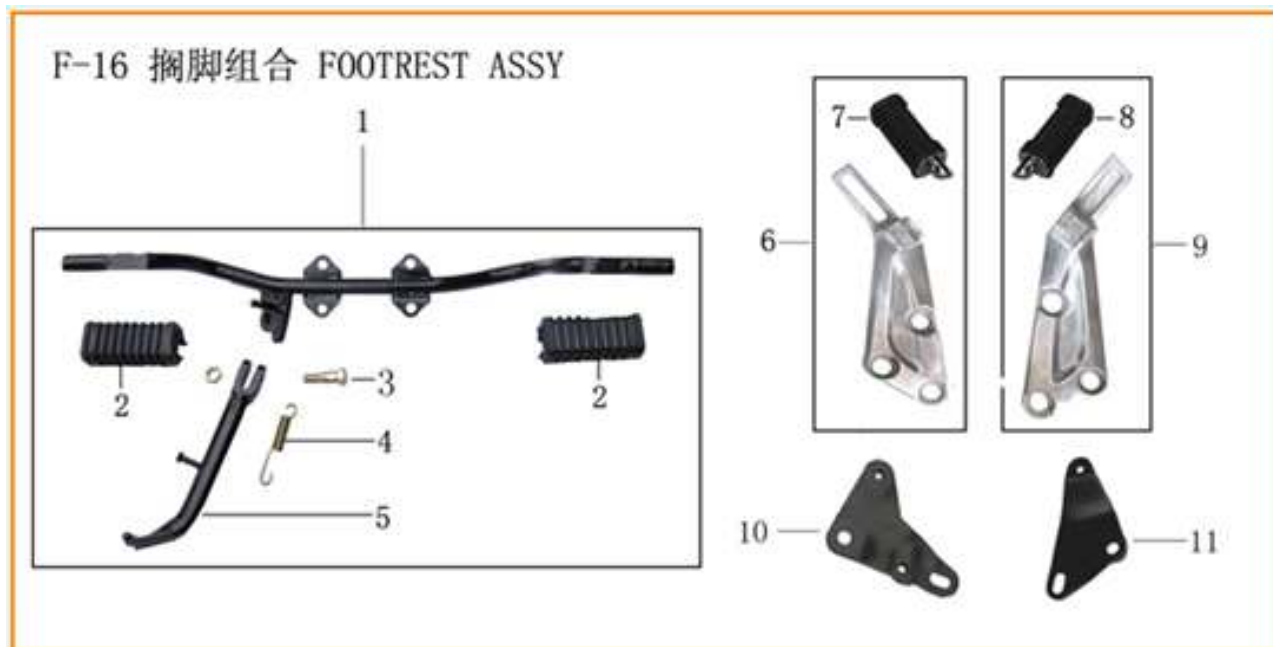
10013-1	Air Cleaner Assy	
10013-2	Air Cleaner Filter Screen	
10013-3	Air Cleaner Element	
10013-4	Connecting Air Cleaner Pipe (Rubber)	



10014-1	Exhaust Muffler Assy	
10014-2	Gasket,Exhaust Muffler	
10014-3	Muffler Guard	



10015-1	Center Stand Shaft	
10015-2	Center Stand Rubber	
10015-3	Center Stand Comp.	
10015-4	Center Stand Spring	
10015-5	Spring,Rear Brake Switch	
10015-6	Rear Brake Pedal Spring	
10015-7	Rear Brake Pedal Assy	
10015-8	Rear Brake Link Comp	
10015-9	Rear Brake Switch	
10015-10	Center Stand Spring Hook	
10015-11	Rear Brake Limit Bar	
10015-12	Rear Brake Pull Rod Spring	
10015-13	Rear Brake Rod Nut	



10016-1	Rider, Footrest Assy	
10016-2	Rider Rubber Treadle, RH	
10016-3	Shoulder Bolt I	
10016-4	Side Stand Spring	
10016-5	Side Stand Comp	
10016-6	Passenger Footrest Comp., LH	
10016-7	Passenger Treadle, LH	
10016-8	Passenger Treadle, RH	
10016-9	Passenger Footrest Comp., RH	
10016-10	Connecting Plate, Passenger Footrest LH	
10016-11	Passenger Footrest Connecting Plate, RH	



10017-1	Fork Assy,Rear	
10017-2	Rear Fork Bush	
10017-3	Rear Fork Shaft	
10017-4	Chain DID428-100L	
10017-5	Chain Guard	
10017-6	Chaincase Comp	
10017-7	Chain Adjuster Comp., RH	
10017-8	Chain Adjuster Comp., LH	
10017-9	Upper Chaincase Comp	
10017-10	Lower Chaincase Comp	
10017-11	Cover, view hole	
10017-12	Rear Brake Limit Bar	

F-18 后挡泥板 REAR FENDER



10018-1	Rear Fender,Rear Body	
10018-2	Rear Fender,Front Body	
10018-3	Rear Reflector	
10018-4	Rear License Bracket Comp.	

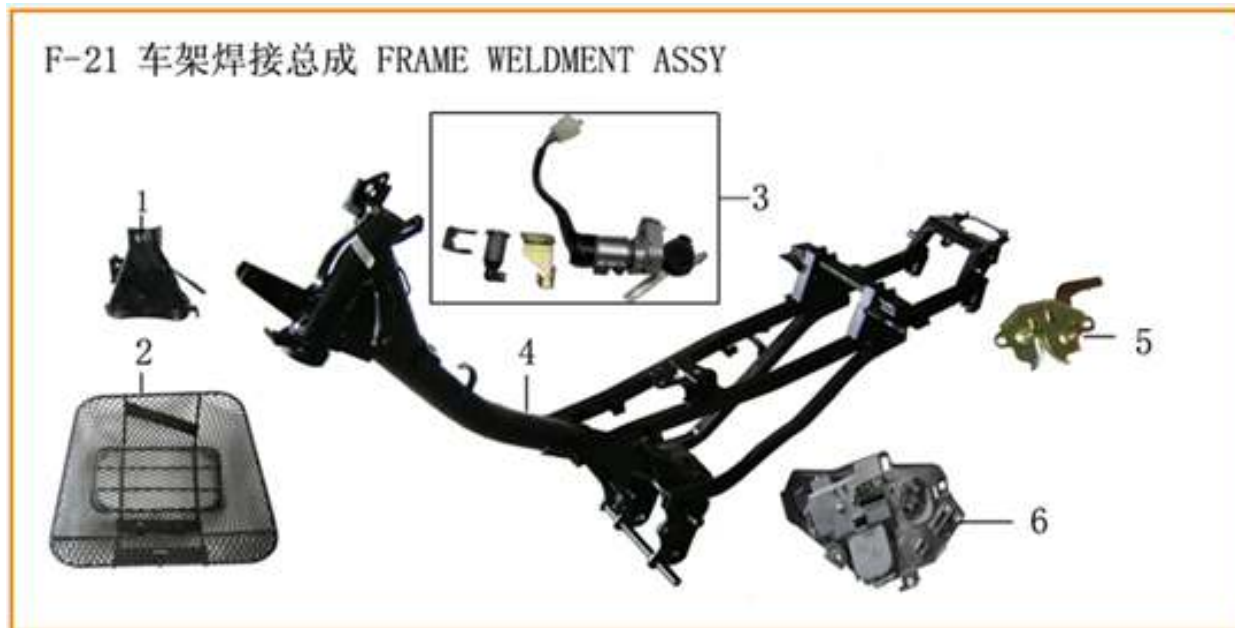


10019-1BA	Windshield Lining,RH Black	
10019-1BU	Windshield Lining,RH Blue	
10019-1G	Windshield Lining,RH Green	
10019-1R	Windshield Lining,RH Red	
10019-2BA	Windshield,RH Black	
10019-2BU	Windshield,RH Blue	
10019-2G	Windshield,RH Green	
10019-2R	Windshield,RH Red	
10019-3	Windshield Stay	
10019-4BA	Windshield,LH Black	
10019-4BU	Windshield,LH Blue	
10019-4G	Windshield,LH Green	
10019-4R	Windshield,LH Red	
10019-5BA	Windshield Lining,LH Black	
10019-5BU	Windshield Lining,LH Blue	
10019-5G	Windshield Lining,LH Green	
10019-5R	Windshield Lining,LH Red	

F-20 后围板 REAR COVER



10020-1BA	Side Cover,RH Black	
10020-1BU	Side Cover,RH Blue	
10020-1G	Side Cover,RH Green	
10020-1R	Side Cover,RH Red	
10020-2BA	Right Rear Panel Black	
10020-2BU	Right Rear Panel Blue	
10020-2G	Right Rear Panel Green	
10020-2R	Right Rear Panel Red	
10020-3BA	Rear-Mid Connecting Plate Black	
10020-3BU	Rear-Mid Connecting Plate Blue	
10020-3G	Rear-Mid Connecting Plate Green	
10020-3R	Rear-Mid Connecting Plate Red	
10020-4BA	Left Rear Panel Black	
10020-4BU	Left Rear Panel Blue	
10020-4G	Left Rear Panel Green	
10020-4R	Left Rear Panel Red	
10020-5	Special Screw Windshield M6x25	



10021-1	Front Cover Bracket	
10021-2	Basket Set	
10021-3	Lock Assy	
10021-4	Frame Weldment (2hang)	
10021-5	Seat Lock Latch	
10021-6	Battery Case	



10022-1	Main Cable	
10022-2	Ignition Controller	
10022-3	Voltage Regulator	
10022-4	Ignition Coil	
10022-5	Starting Relay	
10022-6	Flashing Relay	
10022-7	Horn	
10022-8	Battery (12v5ah)	
10022-9	Alarm	

Meilun Wheel Bearing Specification				
Sorted by Bike Model				
Bike Model	Description	Bearing #	Part #	
ML100-A	Front Wheel Right Bearing	6300	1009-13	
ML100-A	Front Wheel Left Bearing	6300	1009-13	
ML100-A	Rear Wheel Right Bearing	6301	10010-18	
ML100-A	Rear Wheel Left Bearing	6301	10010-18	
ML100-A	Rear Sprocket Hub Bearing	6203	10010-19	
ML125-5	Front Wheel Right Bearing	6301	12557-21	
ML125-5	Front Wheel Left Bearing	6301	12557-21	
ML125-5	Rear Wheel Right Bearing	6202	12559-16	
ML125-5	Rear Wheel Left Bearing	6302	12559-20	
ML125-7	Front Wheel Right Bearing	6301	12577-16	
ML125-7	Front Wheel Left Bearing	6301	12577-16	
ML125-7	Rear Wheel Right Bearing	6302	12578-13	
ML125-7	Rear Wheel Left Bearing	6202	12578-15	
ML125-7	Rear Sprocket Hub Bearing	6204	12578-14	
ML125T-26	Front Wheel Right Bearing	6301	125269-12	
ML125T-26	Front Wheel Left Bearing	6301	125269-12	
ML125T-26	Rear Wheel Right Bearing	6203	1252610-7	
ML125T-26	Rear Wheel Left Bearing	6203	1252610-7	
ML150-9J	Front Wheel Right Bearing	6301	15098-9	
ML150-9J	Front Wheel Left Bearing	6301	15098-9	
ML150-9J	Rear Wheel Right Bearing	6302	15099-11	
ML150-9J	Rear Wheel Left Bearing	6202	15099-12	
ML150-9J	Rear Sprocket Hub Bearing	6204	15099-13	
ML150GY-3A	Front Wheel Right Bearing	6301	20058-13	
ML150GY-3A	Front Wheel Left Bearing	6301	20058-13	
ML150GY-3A	Rear Wheel Right Bearing	6302	20059-21	
ML150GY-3A	Rear Wheel Left Bearing	6302	20059-21	
ML150ZH-3	Front Wheel Right Bearing	6304	31508-13	
ML150ZH-3	Front Wheel Left Bearing	6304	31508-13	
ML150ZH-3	Rear Wheel Right Bearing		N/A	
ML150ZH-3	Rear Wheel Left Bearing		N/A	
ML200GY-5	Front Wheel Right Bearing	6301	20058-13	
ML200GY-5	Front Wheel Left Bearing	6301	20058-13	
ML200GY-5	Rear Wheel Right Bearing	6302	20059-21	
ML200GY-5	Rear Wheel Left Bearing	6302	20059-21	
ML250-4	Front Wheel Right Bearing	6202	25047-8	
ML250-4	Front Wheel Left Bearing	6202	25047-8	
ML250-4	Rear Wheel Right Bearing	6302	25048-15	
ML250-4	Rear Wheel Left Bearing	6202	25048-16	
ML250-4	Rear Sprocket Hub Bearing	6004	25048-17	

Meilun Wheel Bearing Specification				
Sorted by Bearing #				
Bike Model	Description	Bearing #	Part #	
ML250-4	Rear Sprocket Hub Bearing	6004	25048-17	
ML125-5	Rear Wheel Right Bearing	6202	12559-16	
ML125-7	Rear Wheel Left Bearing	6202	12578-15	
ML150-9J	Rear Wheel Left Bearing	6202	15099-12	
ML250-4	Front Wheel Right Bearing	6202	25047-8	
ML250-4	Front Wheel Left Bearing	6202	25047-8	
ML250-4	Rear Wheel Left Bearing	6202	25048-16	
ML100-A	Rear Sprocket Hub Bearing	6203	10010-19	
ML125T-26	Rear Wheel Right Bearing	6203	1252610-7	
ML125T-26	Rear Wheel Left Bearing	6203	1252610-7	
ML125-7	Rear Sprocket Hub Bearing	6204	12578-14	
ML150-9J	Rear Sprocket Hub Bearing	6204	15099-13	
ML100-A	Front Wheel Right Bearing	6300	1009-13	
ML100-A	Front Wheel Left Bearing	6300	1009-13	
ML100-A	Rear Wheel Right Bearing	6301	10010-18	
ML100-A	Rear Wheel Left Bearing	6301	10010-18	
ML125-5	Front Wheel Right Bearing	6301	12557-21	
ML125-5	Front Wheel Left Bearing	6301	12557-21	
ML125-7	Front Wheel Right Bearing	6301	12577-16	
ML125-7	Front Wheel Left Bearing	6301	12577-16	
ML125T-26	Front Wheel Right Bearing	6301	125269-12	
ML125T-26	Front Wheel Left Bearing	6301	125269-12	
ML150-9J	Front Wheel Right Bearing	6301	15098-9	
ML150-9J	Front Wheel Left Bearing	6301	15098-9	
ML150GY-3A	Front Wheel Right Bearing	6301	20058-13	
ML150GY-3A	Front Wheel Left Bearing	6301	20058-13	
ML200GY-5	Front Wheel Right Bearing	6301	20058-13	
ML200GY-5	Front Wheel Left Bearing	6301	20058-13	
ML125-5	Rear Wheel Left Bearing	6302	12559-20	
ML125-7	Rear Wheel Right Bearing	6302	12578-13	
ML150-9J	Rear Wheel Right Bearing	6302	15099-11	
ML150GY-3A	Rear Wheel Right Bearing	6302	20059-21	
ML150GY-3A	Rear Wheel Left Bearing	6302	20059-21	
ML200GY-5	Rear Wheel Right Bearing	6302	20059-21	
ML200GY-5	Rear Wheel Left Bearing	6302	20059-21	
ML250-4	Rear Wheel Right Bearing	6302	25048-15	
ML150ZH-3	Front Wheel Right Bearing	6304	31508-13	
ML150ZH-3	Front Wheel Left Bearing	6304	31508-13	
ML150ZH-3	Rear Wheel Right Bearing		N/A	
ML150ZH-3	Rear Wheel Left Bearing		N/A	

1P50FMG-C

Engine Parts

ML100-A

2013



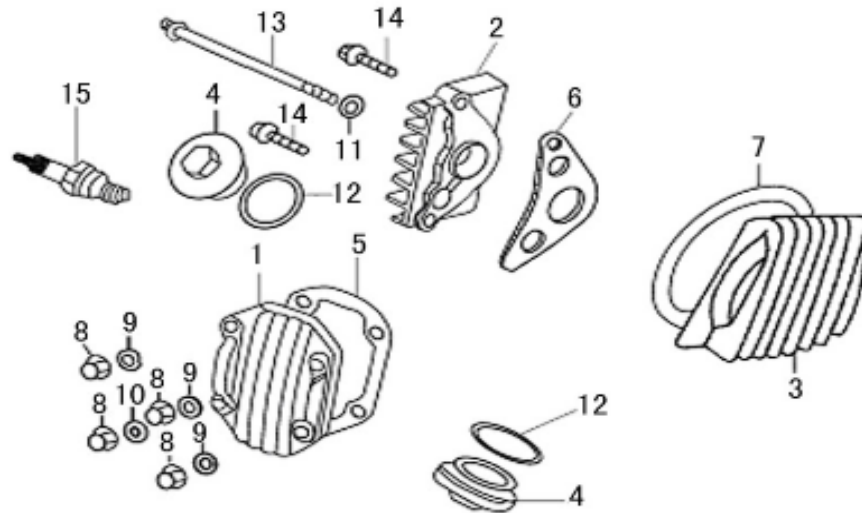
UNIVERSAL

H A R D W A R E®

Box 585, Center Road
Spanish Lookout
Tel 501 823 0254
sales@universalhardware.bz

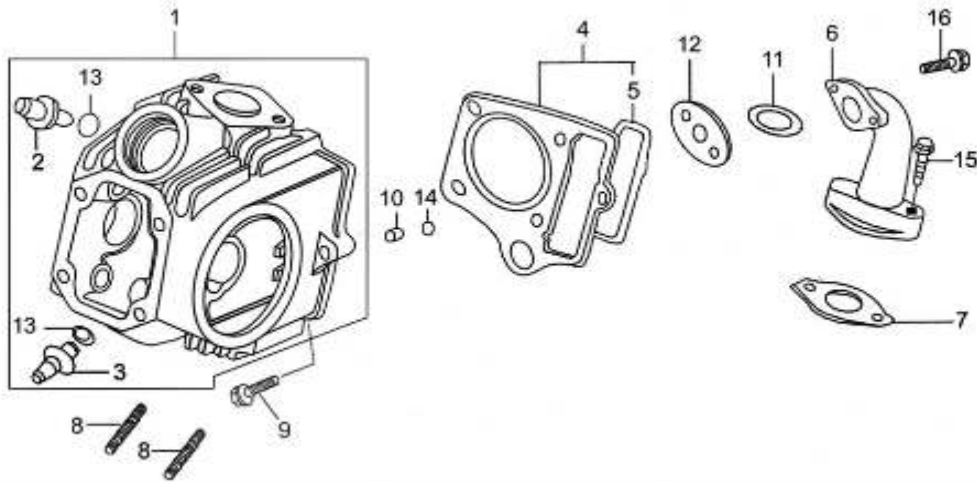
3380 Chetumal Street
Belize City
Tel 501 224 4140
salesbz@universalhardware.bz

E-1 气缸头盖COVER OF CYLINDER HEAD



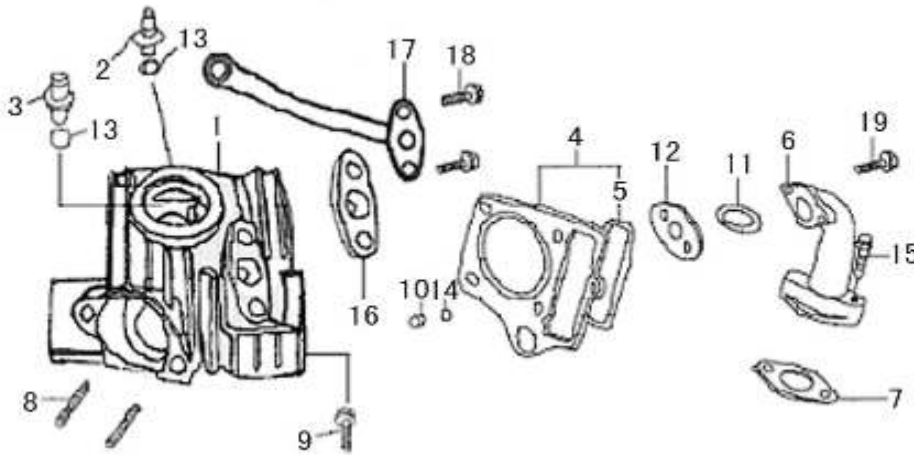
501-1	Cylinder Head Cover	
501-2	Cylinder Head Cover, RH	
501-3	Cylinder Head Cover, LH	
501-4	Valve Cover	
501-5	Cylinder Head Cover Gasket	
501-6	Cylinder Head Cover Gasket, RH	
501-7	Cylinder Head Cover Gasket, LH	
501-8	Cap Nut	
501-9	Cylinder Bolt Steel Washer	
501-10	Cylinder Bolt Copper Washer	
501-11	Cylinder Head Cover Washer, RH	
501-12	Valve Cover O-Ring	
501-13	Bolt M6×110	
501-14	Bolt M6×20	
501-15	Spark Plug (A7TC)	

E-2-1 气缸头 CYLINDER HEAD



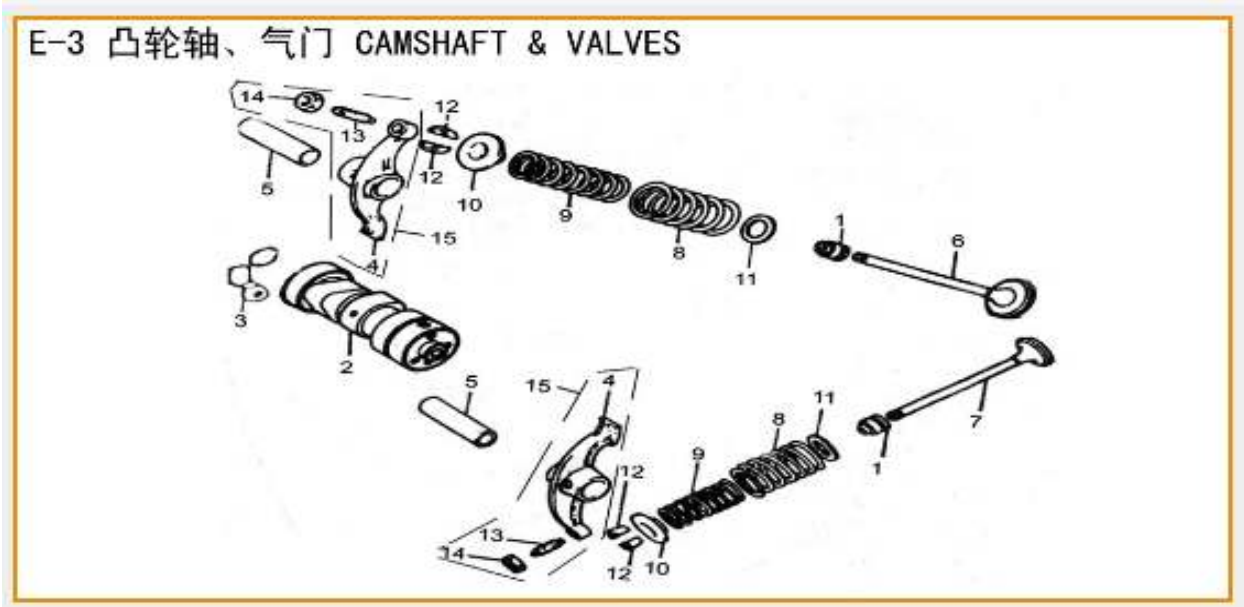
502-1	Cylinder Head Comp.	
502-2	Intake Valve Guide	
502-3	Exhaust Valve Guide	
502-4	Cylinder Head Gasket	
502-5	Chain Chamber Gasket Comp.	
502-6	Inlet Pipe	
502-7	Inlet Pipe Gasket	
502-8	Stud Bolt M6×34	
502-9	Bolt M6×23	
502-10	Cylinder Block Oil Bush	
502-11	Inlet Pipe O-Ring	
502-12	Inlet Pipe Insulator	
502-13	Guide O-Ring	
502-14	Cylinder Block Rectangular Gasket	
502-15	Bolt M6×28	
502-16	Bolt M6×22	

E-2-11 气缸头 (二次补气状态) CYLINDER HEAD (SECONDARY-AIR AERATION CONDITION)



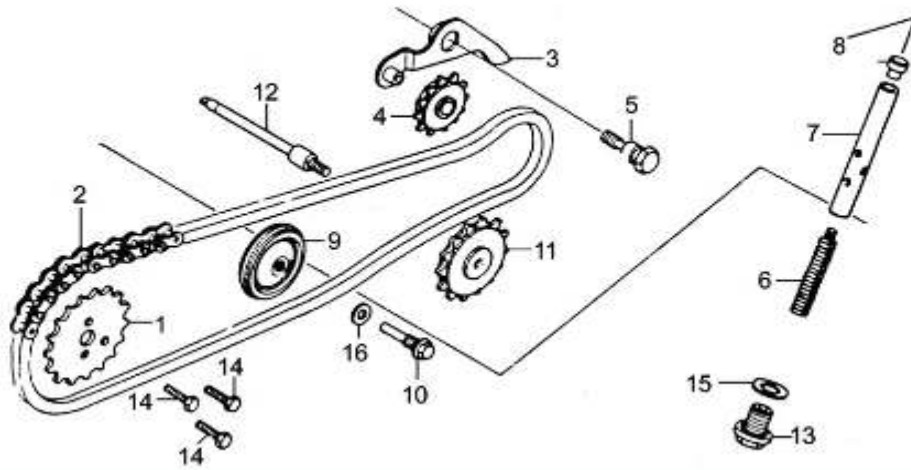
502-1	Cylinder Head Comp.	
502-2	Intake Valve Guide	
502-3	Exhaust Valve Guide	
502-4	Cylinder Head Gasket	
502-5	Chain Chamber Gasket Comp.	
502-6	Inlet Pipe	
502-7	Inlet Pipe Gasket	
502-8	Stud Bolt M6×32	
502-9	Bolt M6×23	
502-10	Cylinder Block Oil Bush	
502-11	Inlet Pipe O-Ring	
502-12	Inlet Pipe Insulator	
502-13	Guide O-Ring	
502-14	Cylinder Block Rectangular Gasket	
502-15	Bolt M6×28	
502-16	Check Valve Vent Pipe Shim	
502-17	Check Valve Vent Pipe Comp.	
502-18	Bolt M6×16	
502-19	Bolt M6×22	

E-3 凸轮轴、气门 CAMSHAFT & VALVES

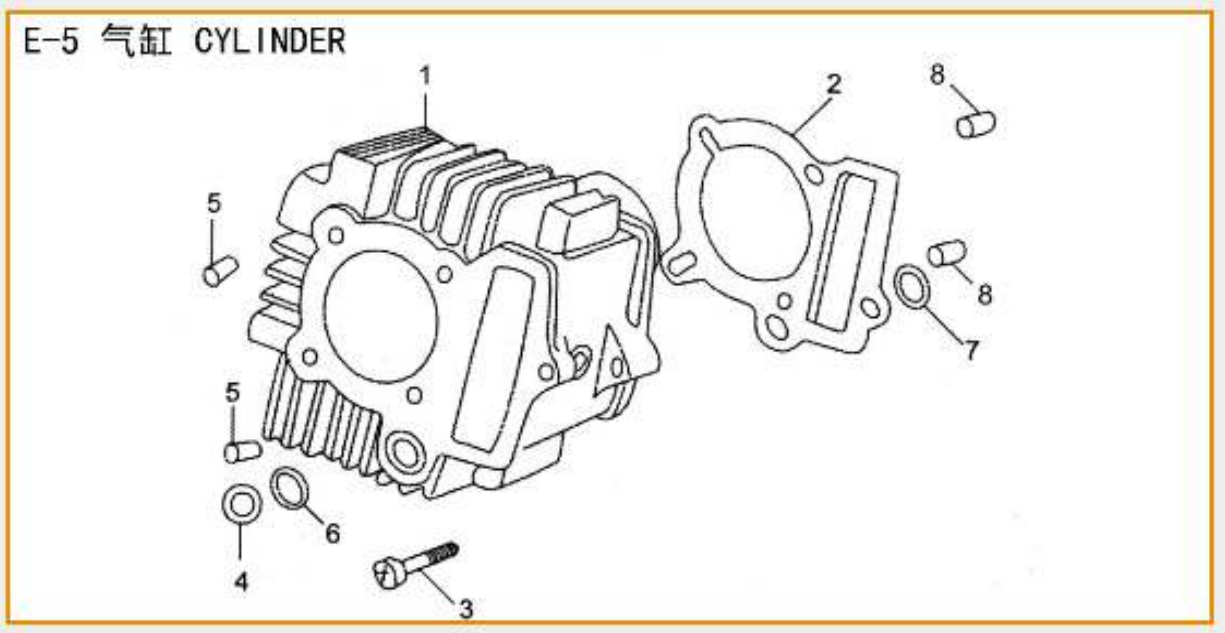


503-1	Valve Stem Oil Seal	
503-2	Camshaft Assy	
503-3	Caging Plate	
503-4	Valve Rocker Arm	
503-5	Rocker Arm Shaft	
503-6	Intake Valve	
503-7	Exhaust Valve	
503-8	Valve Outer Spring	
503-9	Valve Inner Spring	
503-10	Valve Spring Upper Seat	
503-11	Valve Outer Spring Seat	
503-12	Valve Split Cone	
503-13	Valve Gap Adjusting Screw	
503-14	Valve Clearance Adjusting Nut	
503-15	Rocker Arm Assy	

E-4 正时链条、张紧器 TIMING CHAIN & TENSIONER

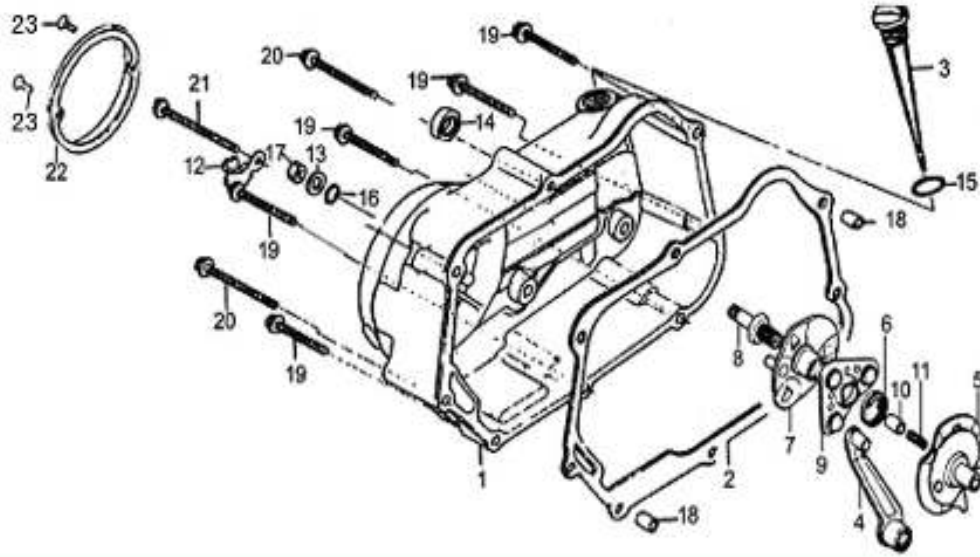


504-1	Timing Driven Sprocket	
504-2	Timing Chain	
504-3	Tensioning Arm	
504-4	Tensioning Roller	
504-5	Tensioning Plate Screw	
504-6	Tension Rod Spring	
504-7	Adjusting Rod	
504-8	Tensioning Rod Head	
504-9	Guide Wheel	
504-10	Pivot	
504-11	Oil Pump Driving Sprocket	
504-12	Drive Sprocket Shaft	
504-13	Tensioner Plug	
504-14	Bolt M5×12	
504-15	Tensioner Gasket	
504-16	Washer	



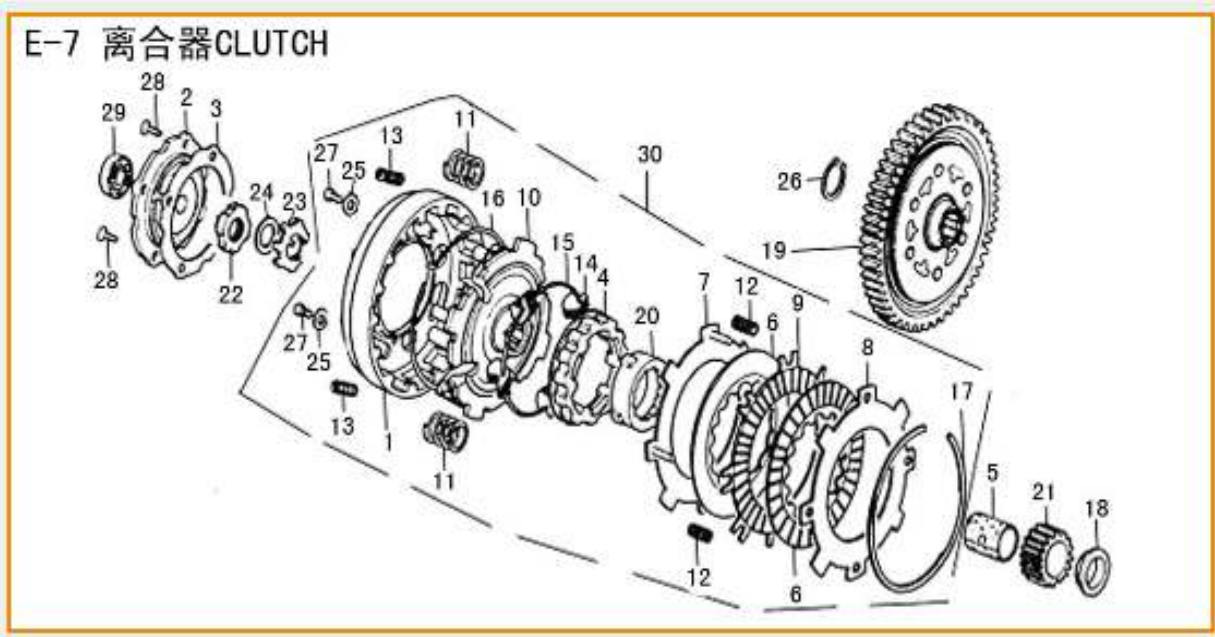
505-1	Cylinder Block	
505-2	Cylinder Block Gasket	
505-3	Bolt M6×23	
505-4	Cylinder Block Washer	
505-5	Cylinder Head Dowel Pin	
505-6	Rectangular Gasket	
505-7	Rectangular Gasket II	
505-8	Dowel Pin	

E-6 右曲轴箱盖RIGHT CRANKCASE COVER



506-1	Crankcase Cover, RH
506-2	Crankcase Cover Gasket, RH
506-3	Dipstick
506-4	Auto-Clutch Arm Comp.
506-5	Clutch Cam Plate Comp.
506-6	Auto-Clutch Cam Plate Spring
506-7	Clutch Separating Disc Comp.
506-8	Adjusting Bolt
506-9	Clutch Tappet Comp.
506-10	Crankshaft Oil Bush
506-11	Crankshaft Oil Pipe Spring
506-12	Ignition Coil Wire Clamp

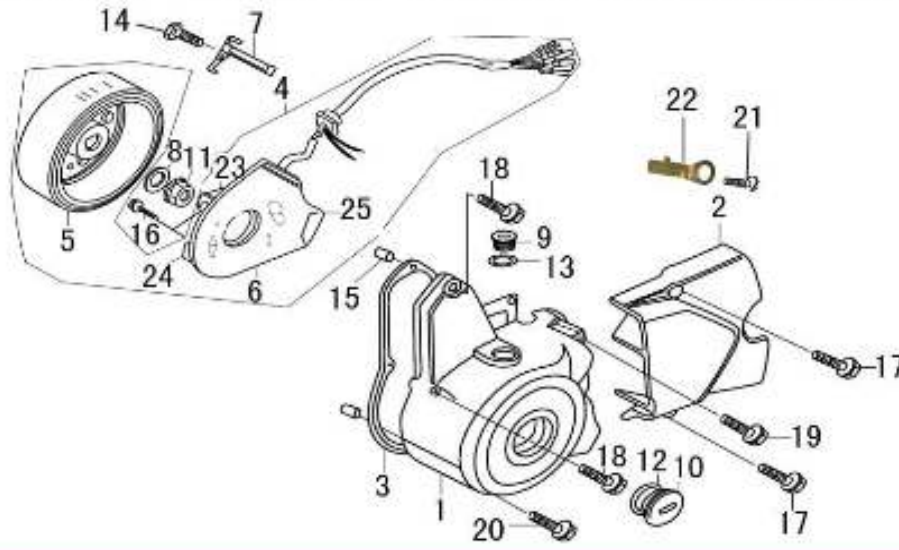
506-13	Auto-Clutch Adjusting Bolt Washer
506-14	Oil Seal
506-15	O-Ring
506-16	O-ring
506-17	Nut M8
506-18	Dowel Pin
506-19	Bolt M6×40
506-20	Bolt M6×65
506-21	Bolt M6×80
506-22	Small Lid, RH
506-23	Screw M5×12



507-1	Clutch Casing
507-2	Auto-Clutch Panel
507-3	Auto-Clutch Panel Seal
507-4	Auto-Clutch Driven Disc
507-5	Primary Drive Gear Bush
507-6	Driven Plate Set
507-7	Drive Plate Set I
507-8	Drive Plate Set III
507-9	Drive Plate Set II
507-10	Auto-Clutch Drive Disc
507-11	Auto-Clutch Spring
507-12	Auto-Clutch Separating Spring
507-13	Auto-Clutch Damping Spring
507-14	Clutch Shoe Comp.
507-15	Clutch Shoe Spring

507-16	Auto-Clutch Drive Disc Retainer
507-17	Circlet
507-18	Washer
507-19	Primary Driven Gear Comp.
507-20	One-Way Clutch Driving Sleeve
507-21	Primary Drive Gear
507-22	Primary Drive Gear Locknut
507-23	Primary Drive Gear Thrust Washer
507-24	Washer
507-25	Drive Disc Washer
507-26	Starting Shaft Snap Ring II
507-27	Screw M5×10
507-28	Screw M5×10
507-29	Bearing 6000
507-30	Auto-Clutch Assy

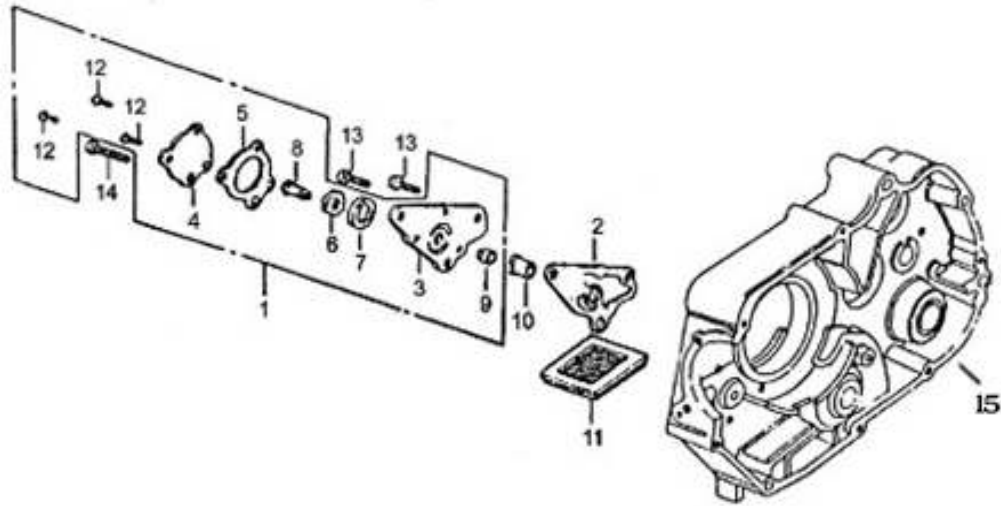
E-8 左曲轴箱盖、磁电机 LEFT CRANKCASE COVER & MAGNETO



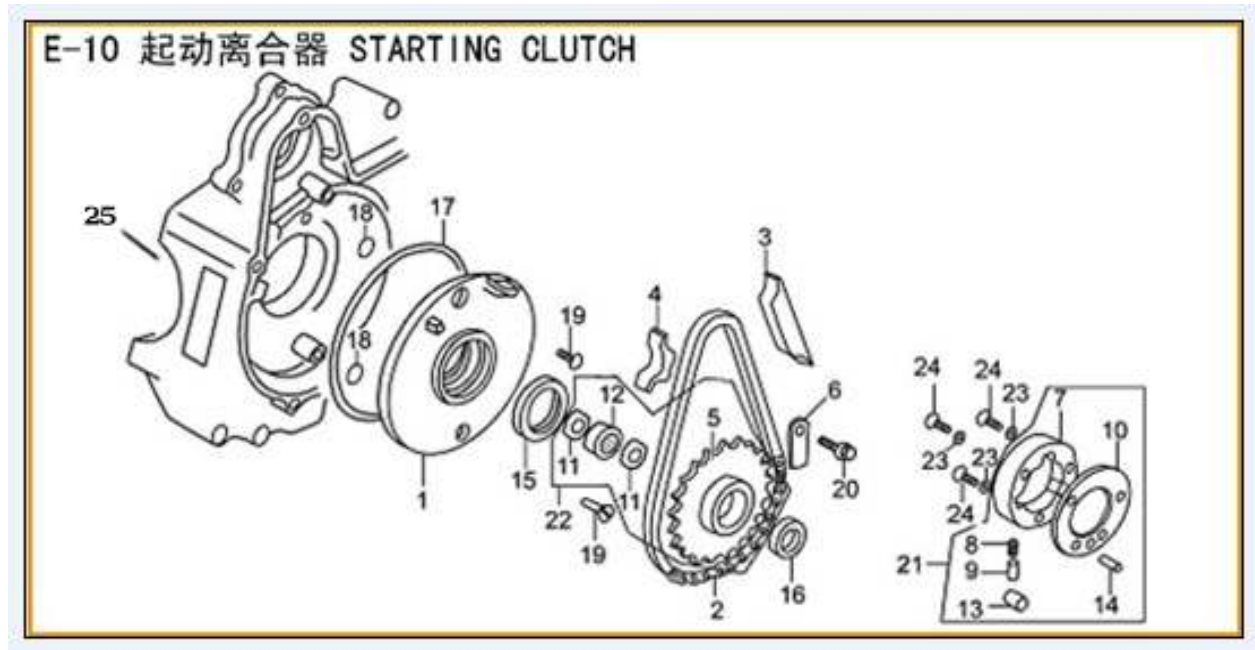
508-1	Crankcase Cover, LH
508-2	Rear Cover, LH
508-3	Crankcase Cover Gasket, LH
508-4	Magneto Assy
508-5	Magneto Rotor Comp.
508-6	Magneto Stator Comp.
508-7	Magneto Wire Clamp
508-8	Thrust Washer
508-9	View Hole Plug
508-10	Plug
508-11	Magneto Locknut
508-12	O-ring
508-13	Watch Hole Plug O-Ring

508-14	Bolt M6×16
508-15	Dowel Pin
508-16	Bolt M6×16
508-17	Bolt M6×28
508-18	Bolt M6×32
508-19	Bolt M6×50
508-20	Bolt M6×65
508-21	Bolt M6×12
508-22	Gear Indicator Pressure Plate
508-23	Illuminating Coil
508-24	Charging Coil
508-25	Induction Coil

E-9 机油泵 OIL PUMP



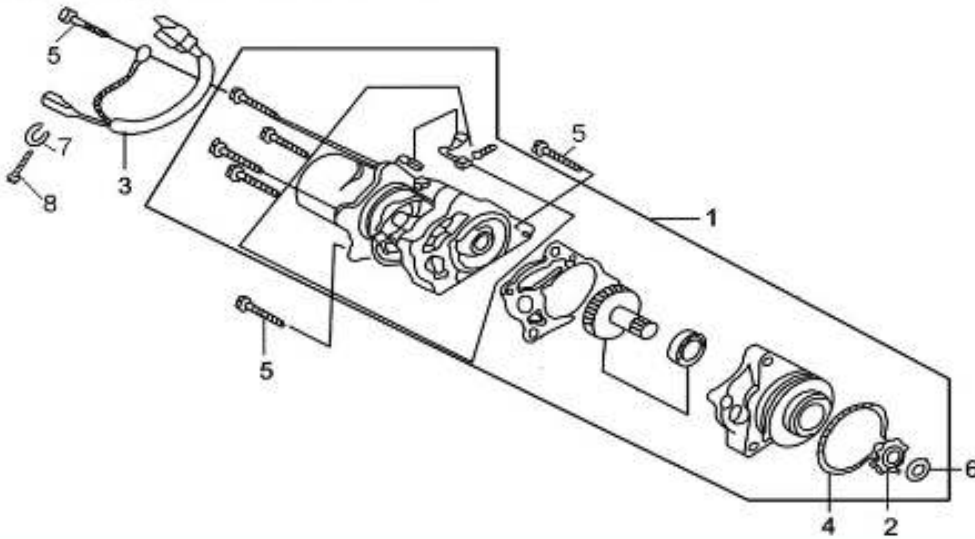
509-1	Oil Pump Assy	
509-2	Oil Pump Gasket	
509-3	Oil Pump Body	
509-4	Oil Pump Cover	
509-5	Oil Pump Cover Gasket	
509-6	Oil Pump Inner Rotor	
509-7	Oil Pump Outer Rotor	
509-8	Oil Pump Shaft	
509-9	Oil Pump Shaft Bush	
509-10	Sprocket Sleeve	
509-11	Oil Filter Screen	
509-12	Screw M5×10	
509-13	Screw M6×16	
509-14	Screw M6×22	
509-15	Crankcase	



5010-1	Panel
5010-2	Drive Chain 62T.
5010-3	Start Chain Tensioning Plate
5010-4	Start Chain Guide
5010-5	Starting Clutch Sprocket
5010-6	Sprocket Locating Plate
5010-7	Starting Clutch Body Comp.
5010-8	Starting Clutch Spring
5010-9	Starting Clutch Spring Sleeve
5010-10	Starting Clutch Cover
5010-11	Collar
5010-12	Needle Bearing
5010-13	Roller

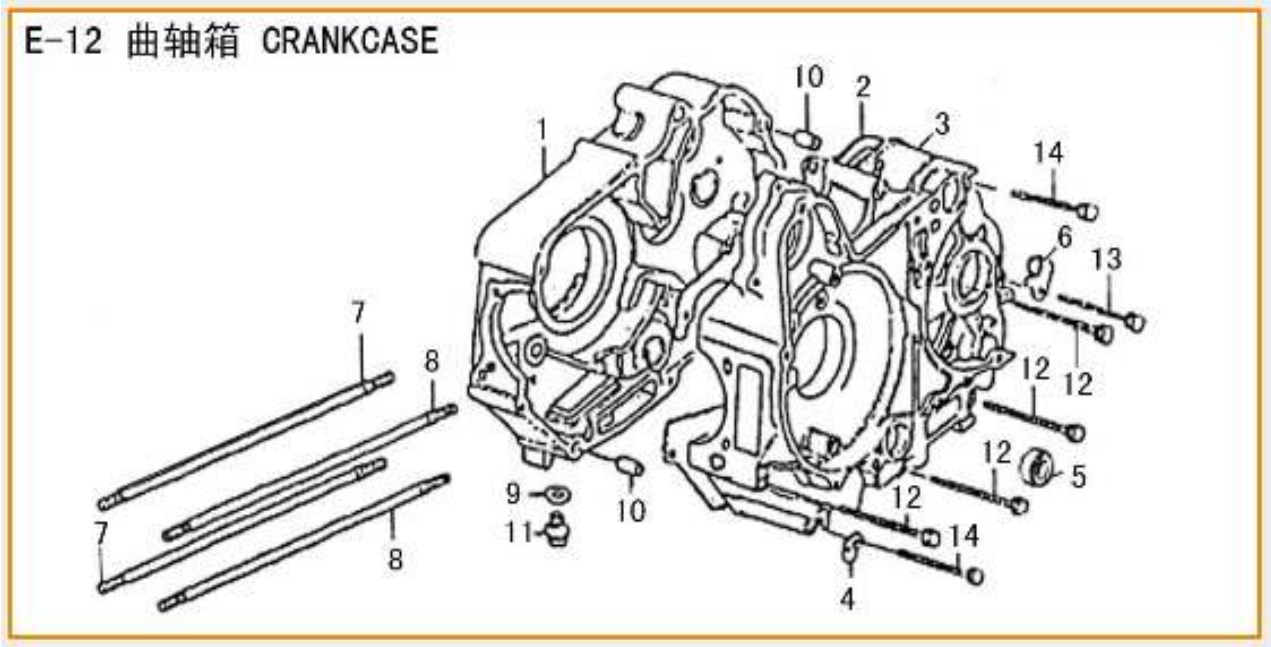
5010-14	Start Clutch Cover Pin
5010-15	Oil Seal
5010-16	Crankshaft Oil Seal, LH
5010-17	Magneto O-Ring
5010-18	Magneto O-Ring II
5010-19	Screw M6×16
5010-20	Screw M6×14
5010-21	Starting Clutch Comp.
5010-22	Starting Clutch Gear Comp.
5010-23	Spring Washer 6
5010-24	Screw M6×14
5010-25	Crankcase

E-11 启动电机 STARTING MOTOR



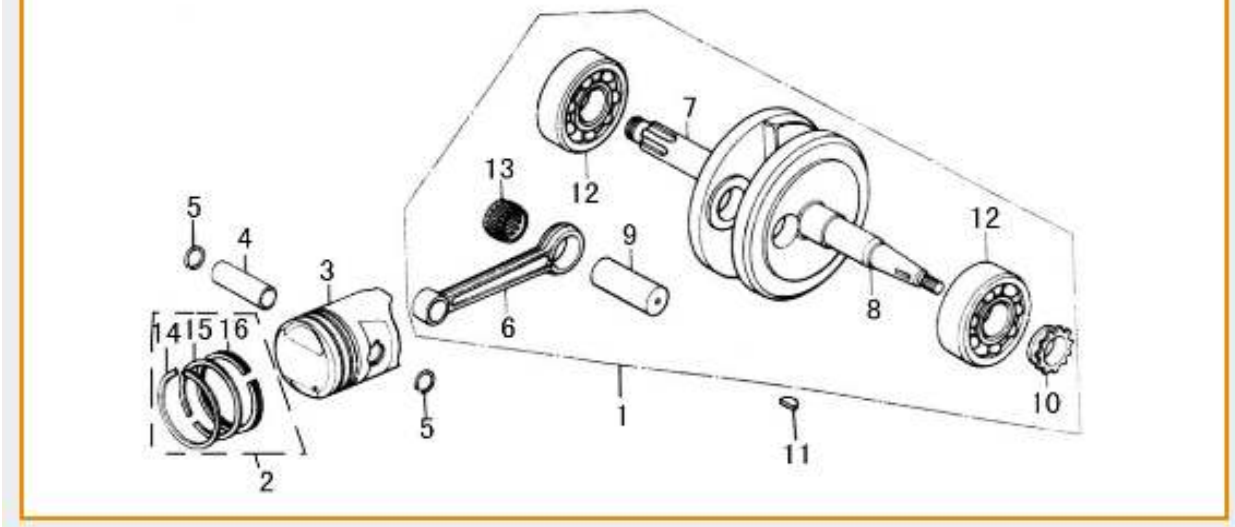
5011-1	Starting Motor Assy	
5011-2	Starting Motor Small Sprocket	
5011-3	Starting Motor Wire Harness	
5011-4	Starting Motor O-Ring	
5011-5	Bolt M6×50	
5011-6	Circlip 12	
5011-7	Washer 4	
5011-8	Screw	

E-12 曲轴箱 CRANKCASE



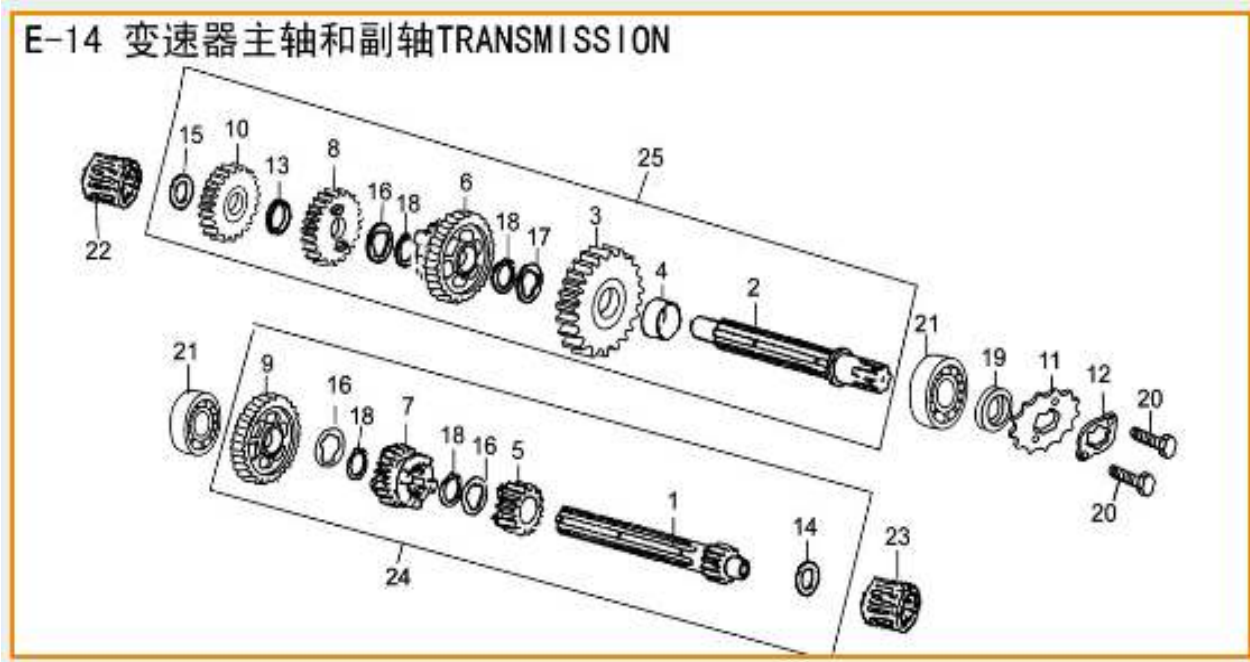
5012-1	Crankcase Comp, RH	
5012-2	Crankcase Gasket	
5012-3	Crankcase Comp., LH	
5012-4	Engine Wire Clamp I	
5012-5	Gearshift Shaft Oil Seal1	
5012-6	Crankcase Waste Pipe Clip II	
5012-7	Cylinder Bolt A	
5012-8	Cylinder Stud B	
5012-9	Drain Plug Washer	
5012-10	Crankcase Dowel Pin	
5012-11	Drain Plug	
5012-12	Bolt M6×65	
5012-13	Bolt M6×50	
5012-14	Bolt M6×60	

E-13 曲轴、活塞CRANKSHAFT & PISTON



5013-1	Crankshaft & Connecting Rod	
5013-2	Piston Ring Set	
5013-3	Piston	
5013-4	Piston Pin	
5013-5	Piston Pin Circlip	
5013-6	Connecting Rod	
5013-7	Crankshaft, RH	
5013-8	Crankshaft, LH	
5013-9	Crankshaft Pin	
5013-10	Timing Drive Sprocket	
5013-11	Crankshaft Woodruff Key	
5013-12	Bearing 6304	
5013-13	Connecting Rod Big Head Bearing	
5013-14	Piston Ring ?	
5013-15	Piston Ring II	
5013-16	3-Piece Oil Ring	

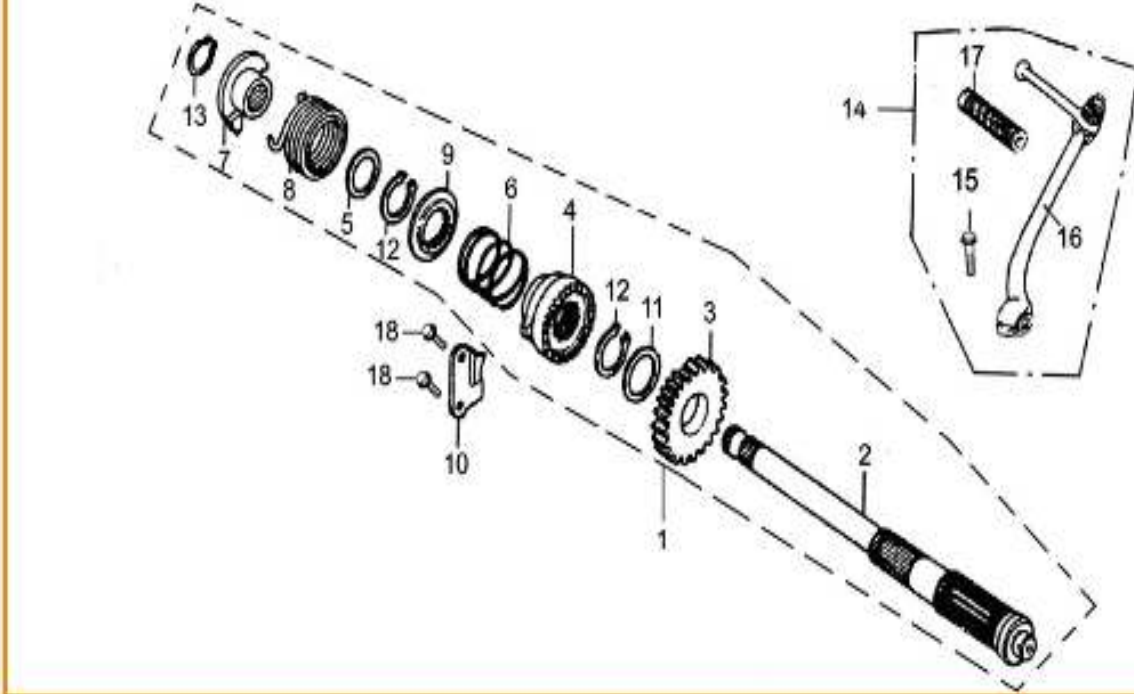
E-14 变速器主轴和副轴 TRANSMISSION



5014-1	Mainshaft
5014-2	Countershaft
5014-3	Countershaft 1st Gear
5014-4	Countershaft 1st Gear Bush
5014-5	Mainshaft 2nd Gear
5014-6	Countershaft 2nd Gear
5014-7	Mainshaft 3rd Gear
5014-8	Countershaft 3rd Gear
5014-9	Mainshaft 4th Gear
5014-10	Countershaft 4th Gear
5014-11	Output Sprocket
5014-12	Output Sprocket Locating Plate
5014-13	Countershaft Washer

5014-14	Mainshaft Washer
5014-15	Countershaft Washer II
5014-16	Mainshaft Spline Washer
5014-17	Countershaft Spline Washer I
5014-18	Mainshaft Circlip
5014-19	Countershaft Oil Seal
5014-20	Bolt M6×8
5014-21	Bearing 6203
5014-22	Countershaft Bearing, RH
5014-23	Mainshaft Bearing, LH
5014-24	Mainshaft Assy
5014-25	Countershaft Assy

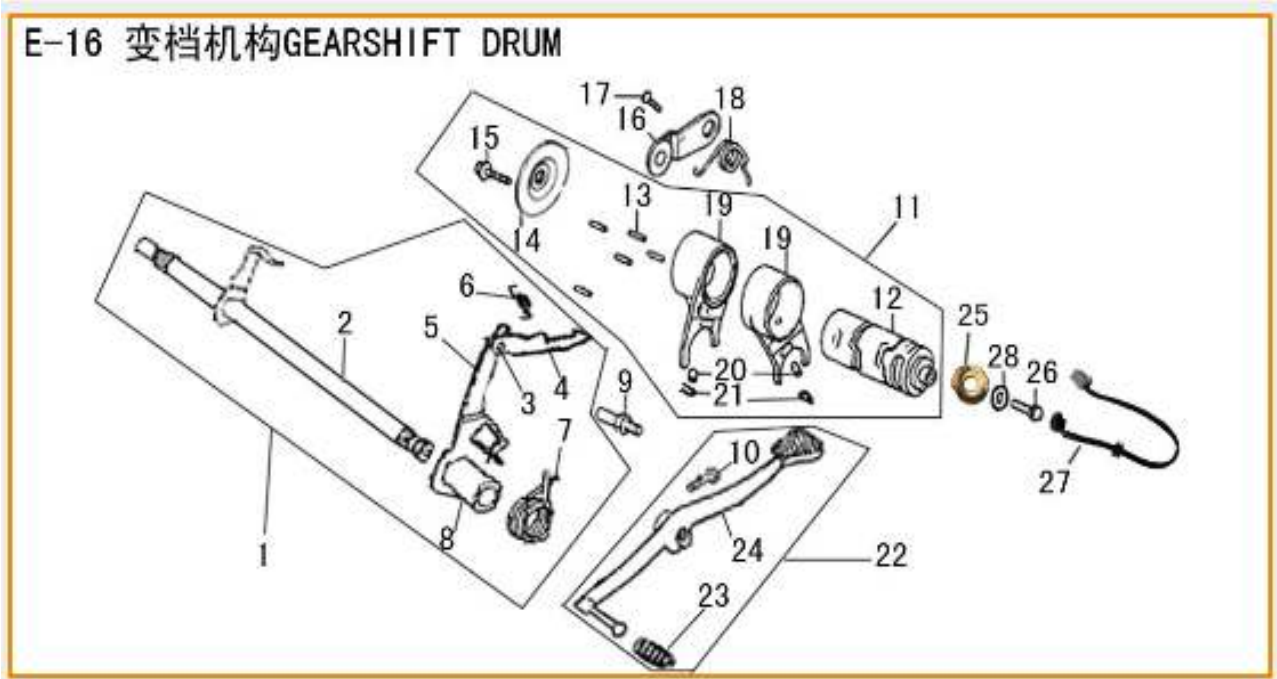
E-15 起动机机构 START DEVICE



5015-1	Starting Shaft Assy
5015-2	Starting Shaft
5015-3	Starting Gear
5015-4	Ratchet
5015-5	Starting Shaft Washer
5015-6	Starting Shaft Spring
5015-7	Starting Shaft Spring Seat
5015-8	Starting Return Spring
5015-9	Ratchet Spring Seat
5015-10	Ratchet Guide

5015-11	Starting Shaft Washer II
5015-12	Collar
5015-13	Starting Shaft Snap Ring II
5015-14	Starting Arm Assy
5015-15	Bolt M6×20
5015-16	Starting Arm
5015-17	Starting Arm Assy Rubber Boot
5015-18	Bolt M6×20

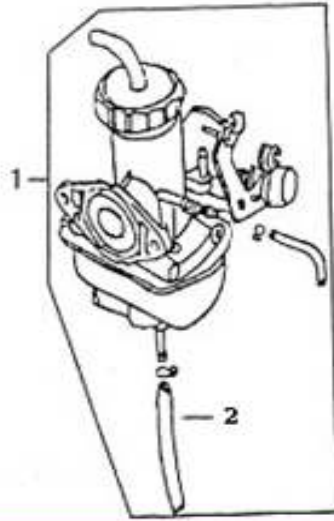
E-16 变档机构GEARSHIFT DRUM



5016-1	Gearshift Shaft Assy
5016-2	Gearshift Shaft Set
5016-3	Shifter Pin
5016-4	Subsidiary Shifter
5016-5	Gearshift Shifter
5016-6	Shifter Spring
5016-7	Gearshift Shaft Return Spring
5016-8	Gearshift Shaft Sleeve
5016-9	Return Spring Set Screw
5016-10	Bolt M6×30
5016-11	Gearshift Drum Assy
5016-12	Gearshift Drum
5016-13	Gear Indicating Pin
5016-14	Gear Indicating Pin Plate

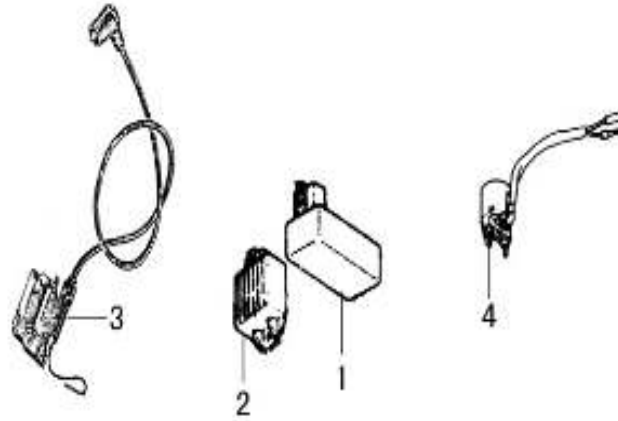
5016-15	Bolt M6×12
5016-16	Gear Setting Plate Comp.
5016-17	Gear Setting Plate Pin
5016-18	Setting Plate Torsion Spring
5016-19	Fork
5016-20	Gearshift Pin
5016-21	Clip
5016-22	Gearshift Pedal Assy
5016-23	Gearshift Pedal Rubber Boot
5016-24	Gearshift Pedal Weldment
5016-25	Gear Indicator Contact Point Comp.
5016-26	Bolt M6×12
5016-27	Gear Indicator Contact Point Comp.
5016-28	Gear Indicating Wire Harness

E-17 化油器 CARBURETOR



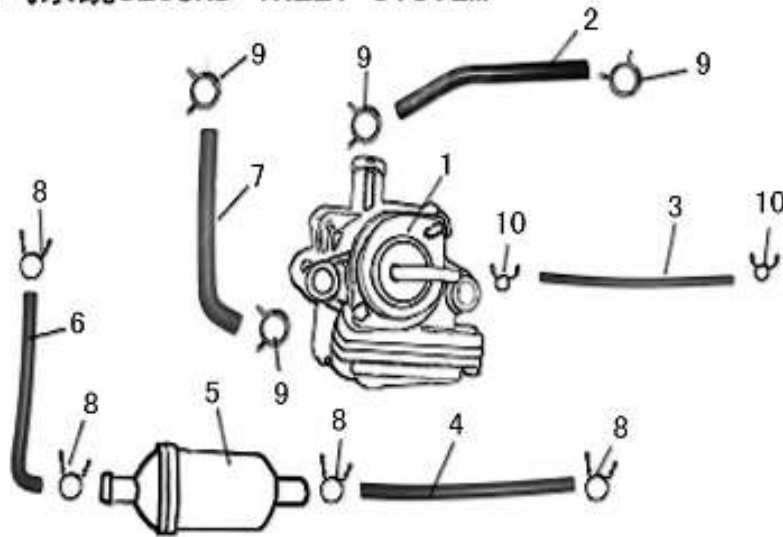
5017-1	Carburetor Assy	
5017-2	Fuel Hose 1 ft	

E-18 电器 ELECTRIC ELEMENTS



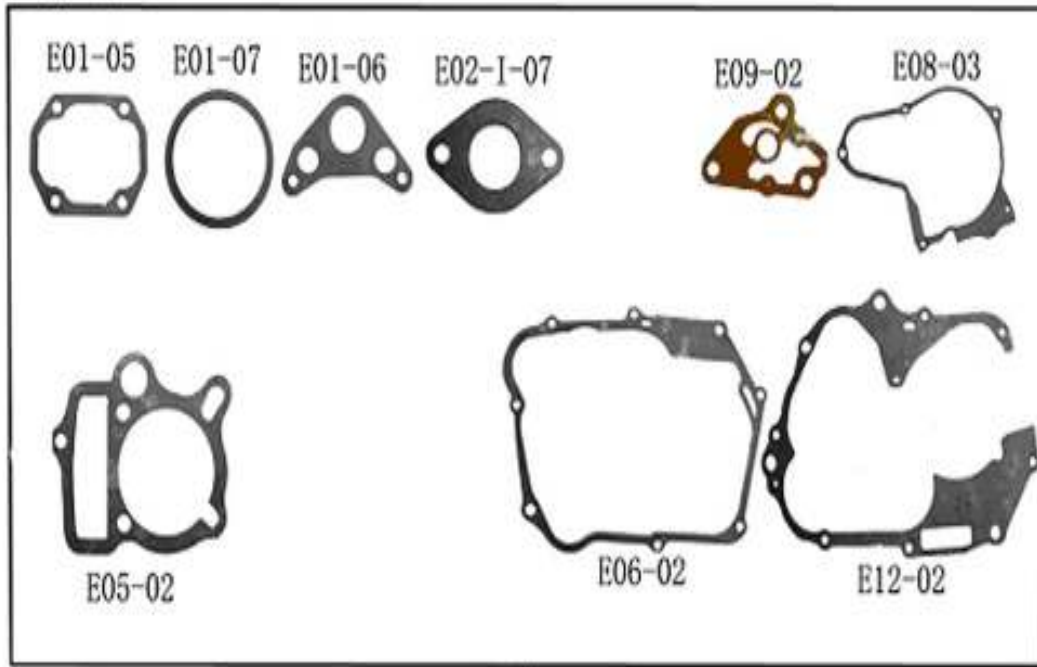
5018-1	Ignition Controller	10022-2
5018-2	Voltage Regulator	10022-3
5018-3	Ignition Coil	10022-4
5018-4	Starting Relay	

E-19 二次进气系统SECOND INLET SYSTEM



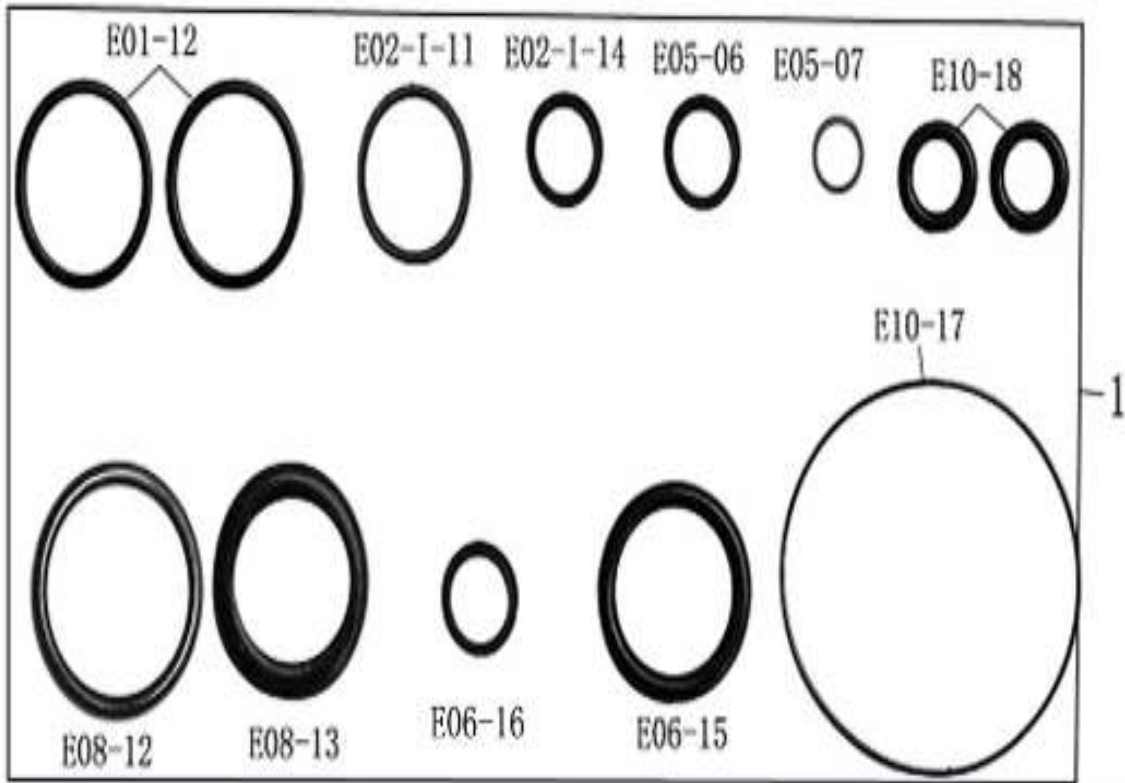
5019-1	Secondary Air Aeration Valve Comp.	
5019-2	Secondary Air Aeration Valve Outlet Pipe	
5019-3	Air Injection Valve Vacuum Pipe	
5019-4	Crankcase Waste Pipe II	
5019-5	Air/Fuel Separator	
5019-6	Crankcase Waste Pipe	
5019-7	Secondary Air Aeration Valve Inlet Pipe	
5019-8	Crankcase Waste Pipe Clip	
5019-9	Secondary Air Aeration Valve Clamp	
5019-10	Crankcase Waste Pipe Clip II	

E-20 全套纸垫 A FULL SET OF GASKETS



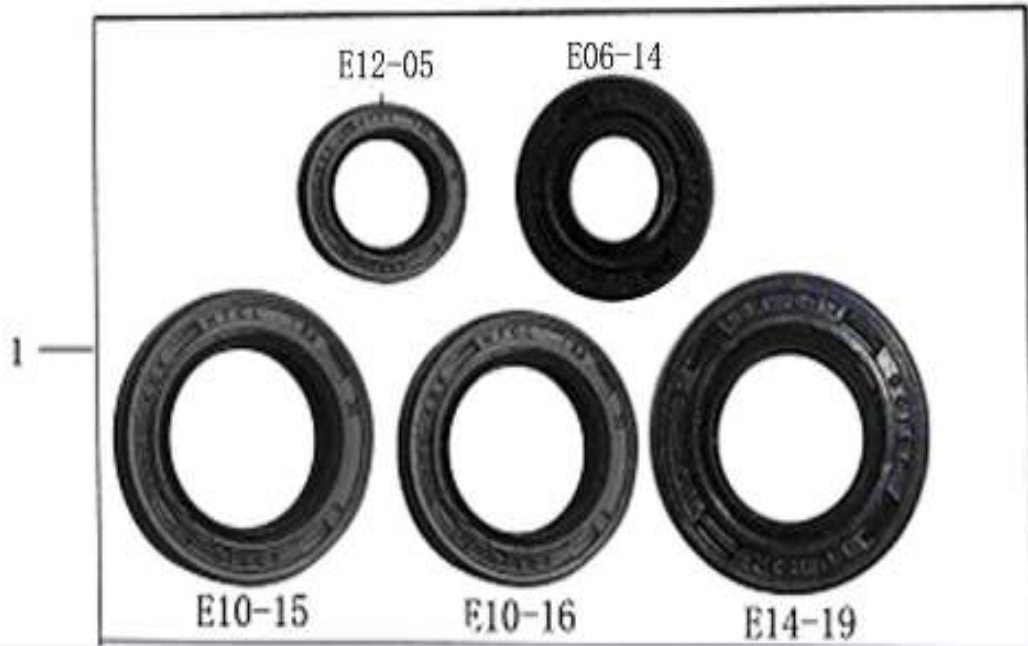
5020-1	A Full Set Of Gaskets
--------	-----------------------

E-21 全套O形圈 A FULL SET OF O-RINGS



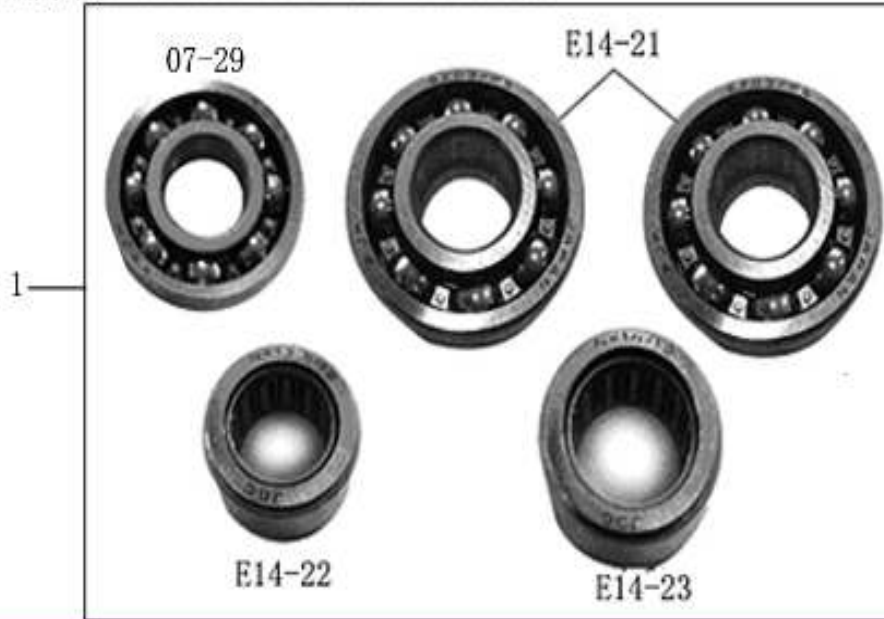
5021-1	A Full Set Of O-Rings	
--------	-----------------------	--

E-22 全套油封 A FULL SET OF OIL SEALS



5022-1	A Full Set Of Oil Seals	
--------	-------------------------	--

E-23 全套轴承 A FULL SET OF BEARINGS



5023-1	A Full Set Of Bearings	
--------	------------------------	--

MIL100-A

Parts Catalog

- ✓ **Always wear a helmet while driving Motorcycles**
- ✓ **Always have your headlights on while driving, even during the day – for safety reasons and longer battery life**
- ✓ **Make sure all lights work properly at all times**
- ✓ **Always drive with Insurance Coverage, Licensed Motorcycle and Motorcycle Driver's License**
- ✓ **Change oil (SAE15W/40SE) after the first 500 KMs and after every 2,000 KMs**
- ✓ **Use Regular Gas**
- ✓ **Always Drive with Awareness for SAFETY.**



Meilun Motorcycle Warranty Policy

Meilun Motorcycles are under 3 months or 2,000 KMs warranty – whichever comes first. Specific items under warranty are:

- The Engine, and its related parts
- Cables, Horn, Switches
- And any other manufacturer's defect on motorcycle.

The following items are *not* covered under this warranty:

- Tires, Tubes, Chain & Sprockets
- Covers, Mirrors, Light Lenses, Alarm System
- Battery – unless convincing evidence shows defect
- And any other damages or wear & tear occurring under the owner's care.



ML100-A



ML150-9J



ML125T-26



ML250-4



ML125-5



ML200GY-5



ML125-7



ML150ZH-3