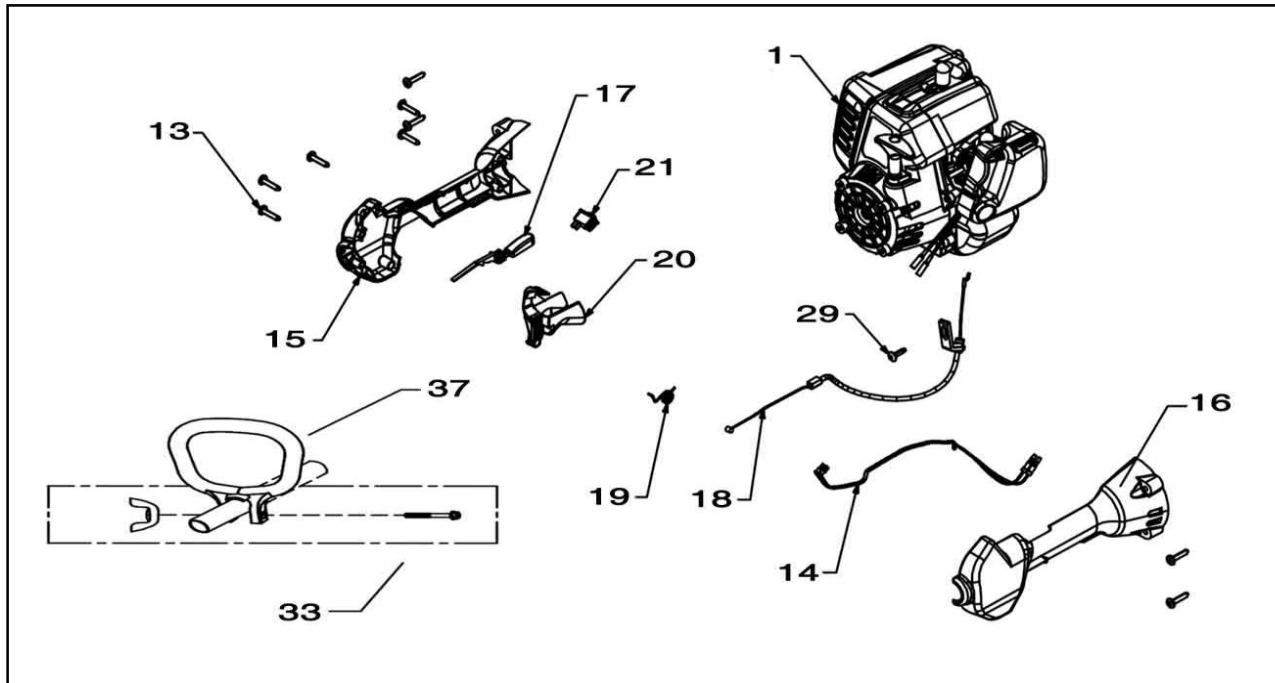
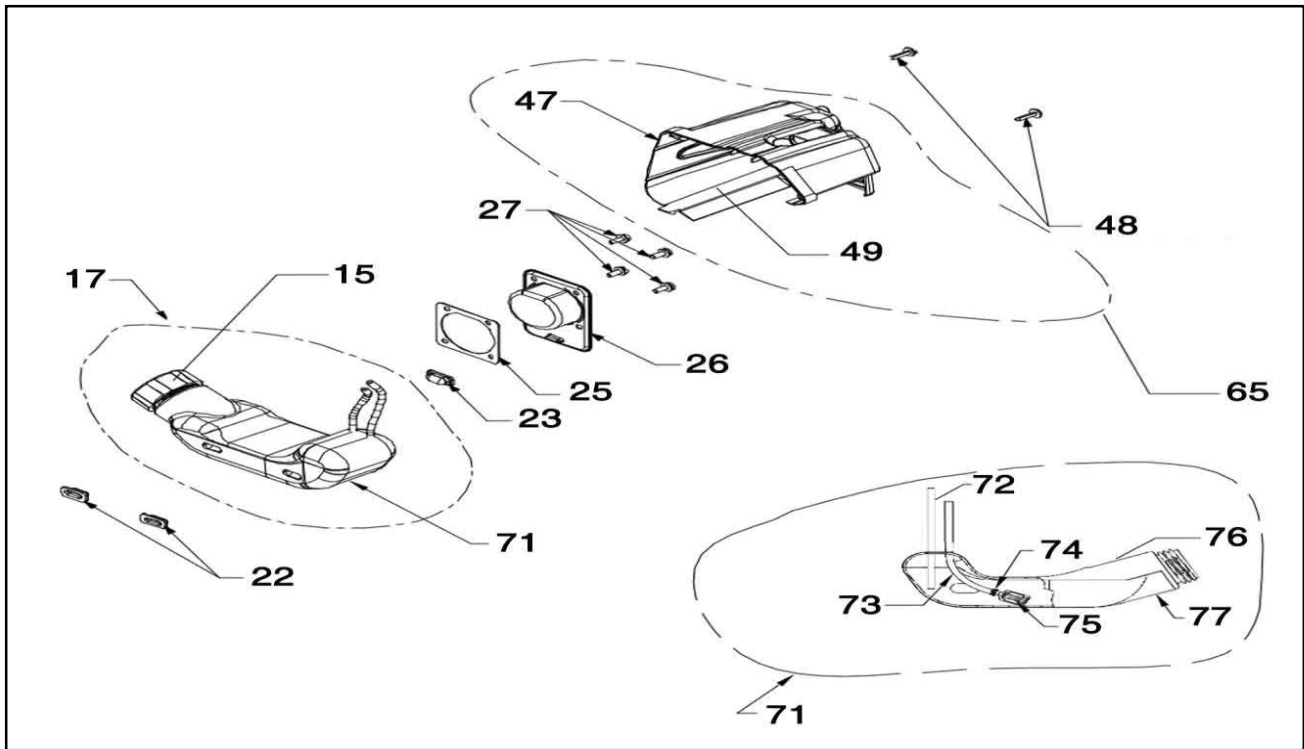


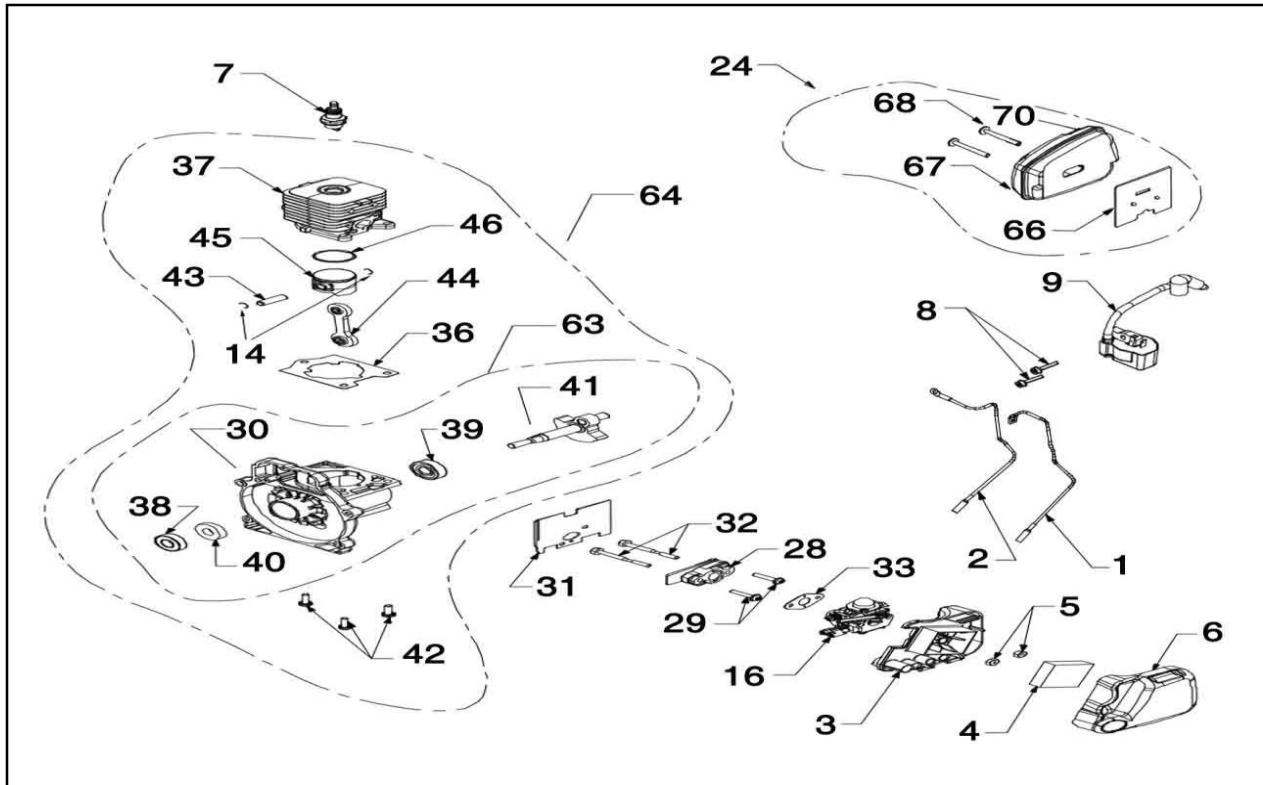
2	308163001	BOOM ASSEMBLY, CURVED	
6	308021001	FLEXIBLE SHAFT L=49"	
8	940299301	LABEL \ 090028001 BOOM WARNING	
22	308042002	SPOOL RETAINER RH THRD BL	
23	308043001	HOUSING AND EYELETS	
26	308044002	SPOOL w/LINE .080"	
27	678022001	SPRING COMPRESSION	
30	570233001	INTERNATIONAL FOAM SPACER	
31	308041001	DRIVE SHAFT HSG ASSEMBLY	
32	638003001	ALUMINUM TUBE L=49.58"	
33	120650001	FASTENER PARTS KIT	
34	000998085	GRASS DEFLECTOR ASSY AND DECAL	
35	308052001	GRASS DEFLECTOR & BLADE	
36	940230072	LABEL,WARNING \ ON SAFTY GUARD	



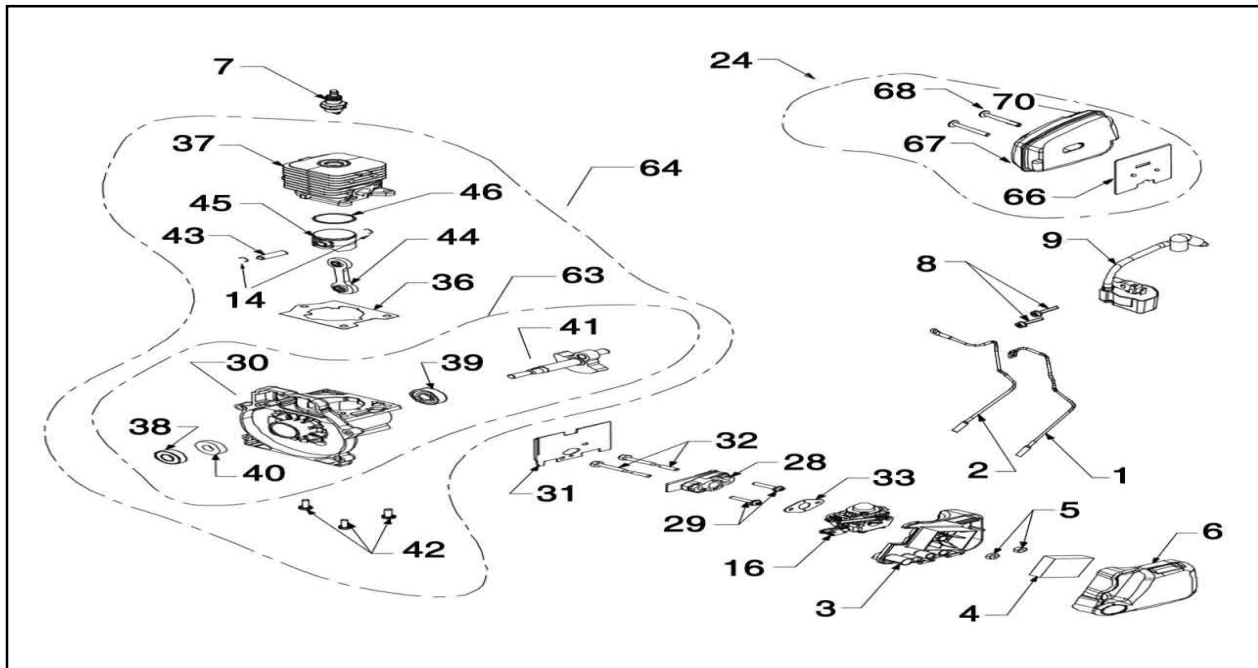
1	000998086	25cc CE Power Head Assy with Decals	
13	660618002	TRUSS HD.SCREW (200)	
14	290205001	LEAD, ELECTRICAL (ASSY)	
15	518009001	HANDLE, CONTROL-R/H	
16	518010001	HANDLE, CONTROL-L/H	
15+16	308869001	HANDLE,CONTROL-L&R	
17	518011002	INTERLOCK, THROTTLE (RYOBI YELLOW)	
18	308026001	THROTTLE CABLE	
19	678021001	TORSIONAL SPRING	
20	518012002	TRIGGER, ZIP START (RYOBI YELLOW)	
21	760345001	SWITCH	
29	660616001	ST SCREW #10-24	
33	120650001	FASTENER PARTS KIT	
37	518030001	FRONT HANDLE	



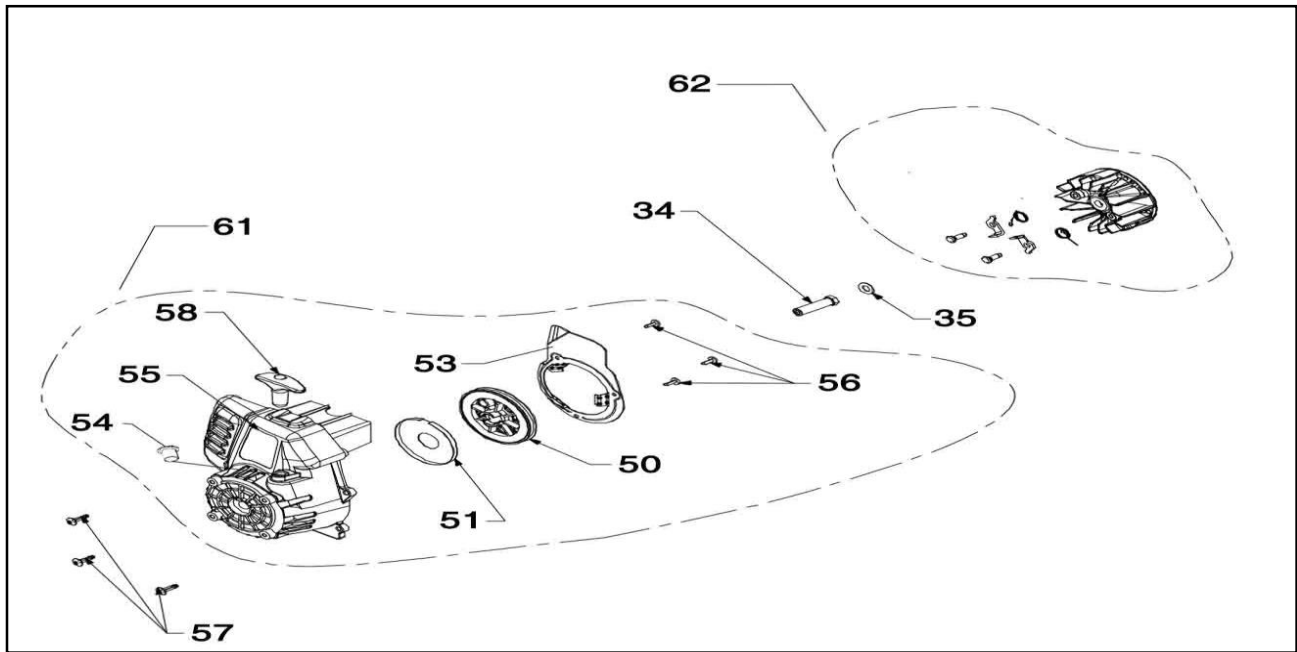
15	308642002	FUEL CAP ASS'Y\ W\ RETAINER \ KZ ENGINE	
17	308181001	FUEL TANK & FUEL CAP ASSY	
22	570256001	BUMPER	
23	570549001	BUMPER	
25	900954001	GASKET C/C COVER	
26	638031001	CRANKCASE COVER	
27	660664001	PAN HEAD SCREW	
48	660629001	SCREW THREAD FORM	
49	900994005	ALUMINUM, FOIL HEAT SHIELD	
65	000998138	REAR HOUSING & FOIL HEAT SHIELD & DECAL	
71	308174001	FUEL TANK ASSEMBLY	
72	570259004	TUBING RUBBER L=152.4+/-1.60MM	
73	570259005	TUBING RUBBER L=196.85+/-1.60MM	
74	690765001	CLAMP , HOSE	
75	300759003	FILTER , FUEL	
76	900955001	HEAT SHIELD	
77	518099001	PLASTIC , FUEL TANK	



1	290222001	ELECTRICAL LEAD	
2	290223001	LEAD	
3	518094001	AIR BOX BASE \ BLK	
4	900952001	AIR FILTER	
5	678027001	NUT LOC HX 10-24	
6	000998092	AIR BOX COVER WITH DECALS	
7	870144002	SPARK PLUG W/ NON-CEMENTE	
8	660660001	SCREW THD FORMING	
9	308069001	IGNITION MODULE	
14	690691002	CIRCLIP, PISTON \ BLK OXIDE	
16	308001001	CARBURETOR ZAMA (DWG)	
24	308173001	MUFFLER ASSY (CRIMPED)	
28	518070001	HEAT DAM	
29	660662001	PAN HEAD SEMS SCREW	
30	640752003	CASTING, ADC12, CRANKCASE, HALF CRANK	
31	900994003	HEAT DAM GASKET(Z83	
32	660661001	CARB. BOLT	
33	900994004	GASKET CARBURETOR	
36	900994002	GASKET. CYLINDER	
37	640870006	CASTING.25CC CE CYLINDER \ IC STAR	



38	650012001	SHFT SEAL ST155-385	
39	671089001	BALL BEARING STEEL\ ID12x32x10	
40	650011001	BEARING, BALL	
41	308184001	CRANKSHAFT, STEEL, 25CC	
42	660663001	SCREW 12-24X.660 PAN TORX	
43	650008001	PIN, PISTON	
44	308147002	CONNECTION ROD 30CC &25CC	
45	640826001	CASTING. PISTON. MA\ 25CC W\ CLIP RING	
46	678001002	RING, PISTON, 25CC	
63	308179002	25CC CRANKCASE ASSY	
64	308180002	25CC CE CYLINDER & CRANKCASE ASSY	
66	900994007	GASKET , MUFFLER CE	
67	308190003	MUFFLER & DEFLECTOR ASSY	
68	660638003	SCREW, #10-24x 2 1/7 " \ BLACK PHOSPHATE	
70	638094002	PLATE , REINFORCEMENT	



34	638092001	DRIVE CONNECTION , STEEL\98795A	
35	631049001	WASHER FLAT	
50	518085001	PLASTIC, STARTER PULLEY\BLK	
51	638033001	SPRING& CONTAINER	
53	638087002	STAMPING, AIR BAFFLE	
54	638088001	STAMPING, EYELET	
55	308176001	STARTER HOUSING & EYELET ASSY	
56	660694001	ST SCREW, #8-16 TORX \ BLACK PHOSPHATE	
57	660630002	SCREW (ST-155)	
58	518073002	PLASTIC, STARTER GRIP \ BLK	
61	308178010	25CC CE STARTER HOUSING ASSY With DECAL	
62	300952001	Rotor & Pawl Assy	