

HSUN

Parts Catalog

HS750UTV



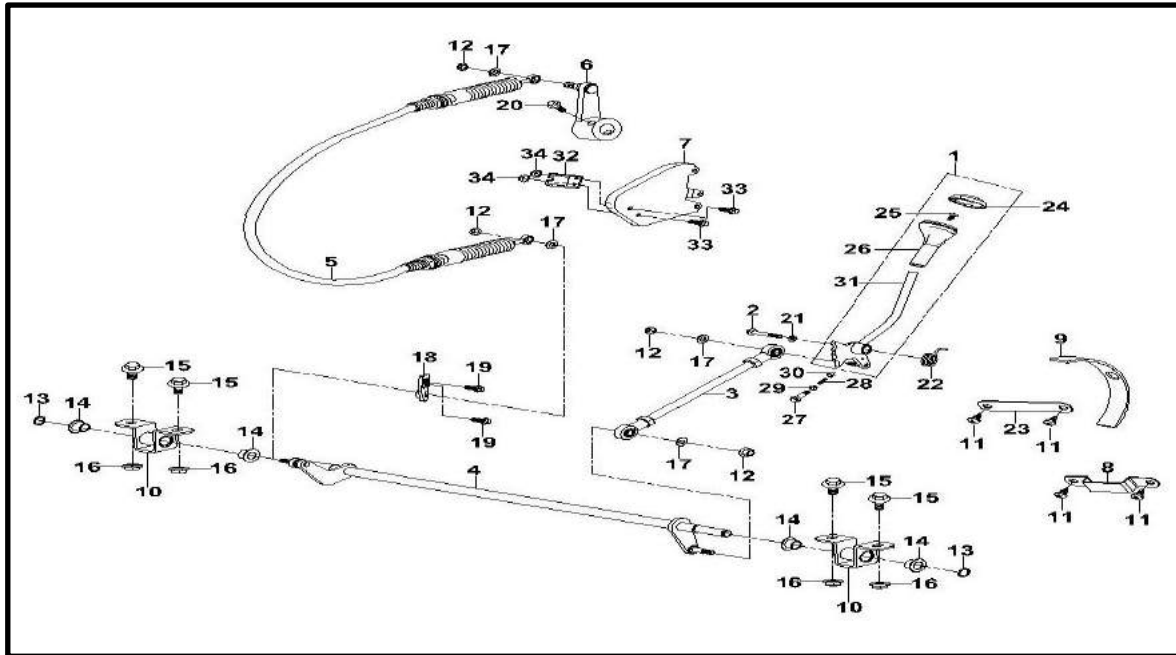
UNIVERSAL

HARDWARE®

Box 585, Center Road
Spanish Lookout
Tel 501 823 0254
sales@universalhardware.bz

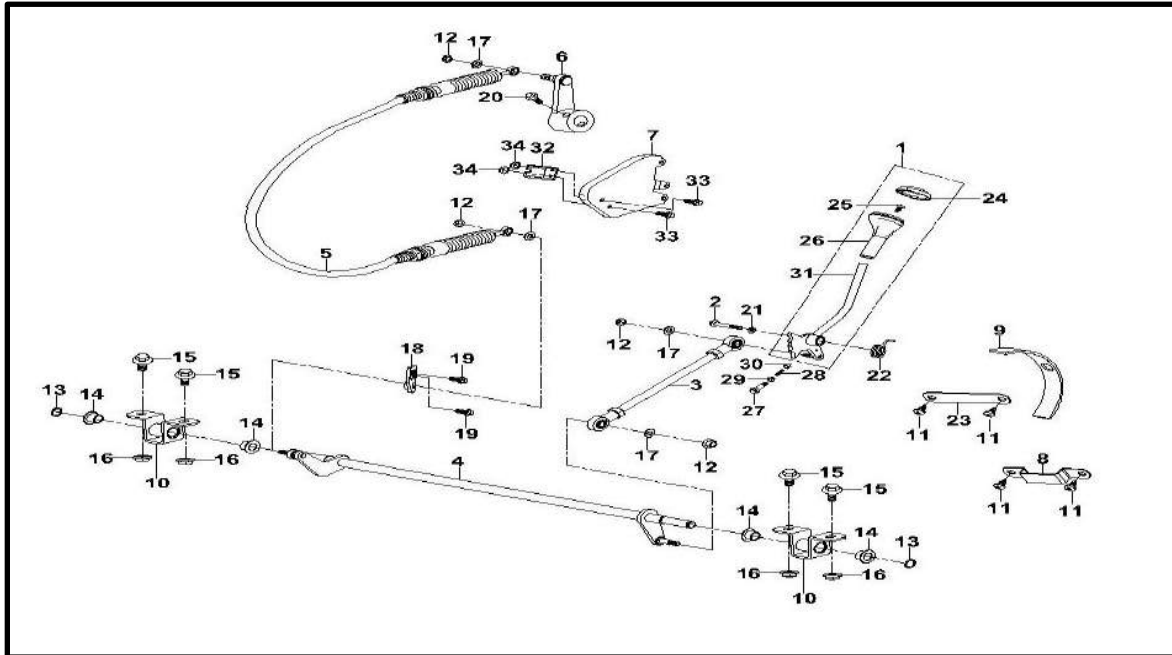
3380 Chetumal Street
Belize City
Tel 501 224 4140
salesbz@universalhardware.bz

Shift Operating System



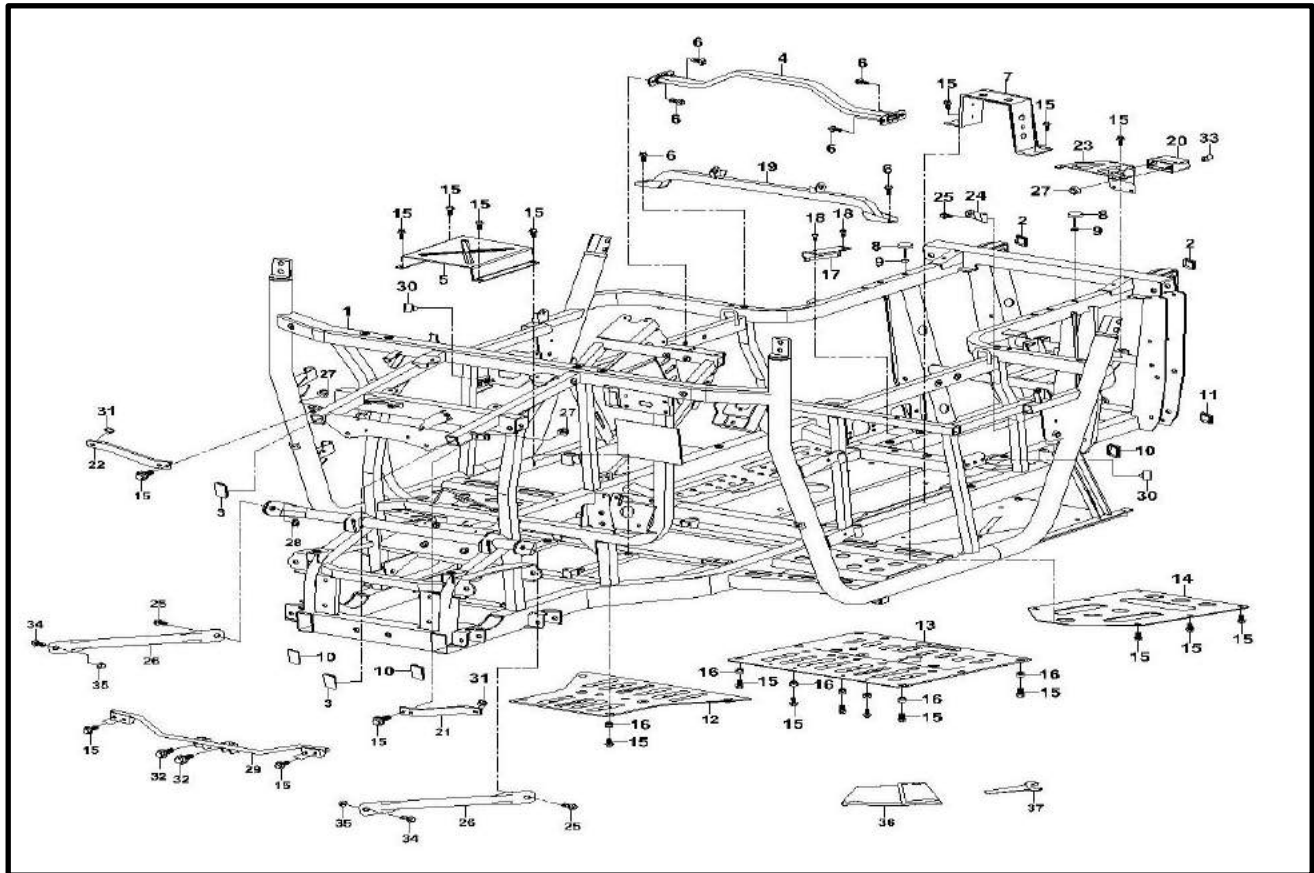
1	P309001234100000	Gear Shifter Assembly
2	BGB16674-M8×20	Hexagon Flange Bolt M8×20
3	P3090012342A0000	Gear Shift Rod I
4	P3090012345A0000	Shifting Steering Arm Welded Comp. I
5	PJ000002341A0300	Gearshift Cable Comp. D
6	P3090012332A0000	Gearshift Arm
7	P312001515510000	Gearshift Cable Fixed Board
8	P309001516350000	Stopper Plate, Gearshift cover
9	P309001824180000	Shifting Back Plate
10	P309001234800000	Shifting Steering Arm Mounting Seat. I
11	BGB845-ST3.6×10	Cross Recessed Pan Head Tapping Screw St3.6×10
12	BGB6183.2-M6	Hexagon Flange Locked Nut M6
13	BGB896-8	Washer 8
14	PJ00000924500100	Plastic Turnup Liner Ø12×Ø15.5
15	BGB16674-M8×55	Hexagon Flange Bolt M8×55
16	BGB6177.1-M8	Nut M8

Shift Operating System



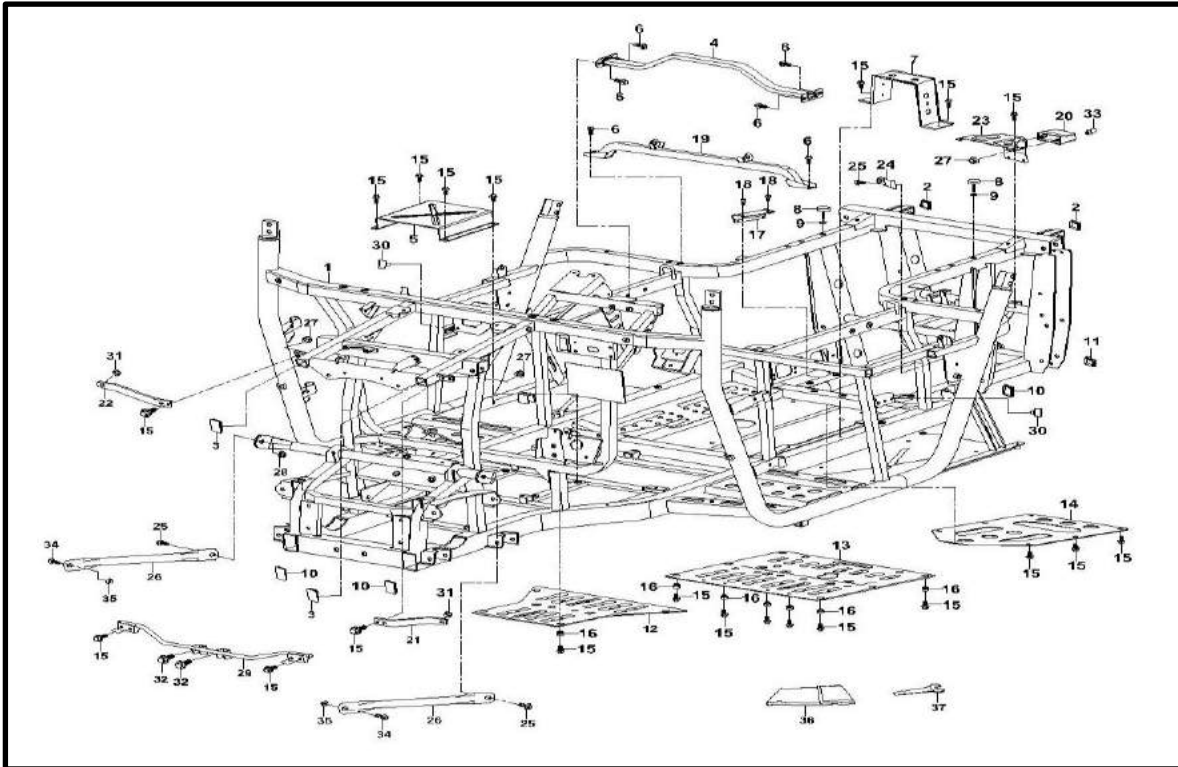
17	BGB96.1-6	Plain Washer 6
18	P312001515020000	Reverse Limit Support
19	BGB16674-M8×16	Hexagon Flange Bolt M8×16
20	BGB16674-M8×30	Hexagon Flange Bolt M6×30
21	BGB97.1-8	Plain Washer 8
22	PJ00000963000500	Torsion Spring F
23	P309001516480000	Spacing Board For Shifting Cover Plate II
24	P112000234170000	Gearshift Handle Cap
25	PJ00000905200500	Cross Large Plate Head Screw M6×16
26	P112000234130000	Handle Knob
27	BGB16674-M10×1.25×30	Hexagon Flange Bolt M10×1.25×30
28	P002000233020000	Spring 24×1
29	BGB6187-M10×1.25	Hexagon Flange Locked Nut M10×1.25
30	P304001234750000	Shift Pin Φ10×13.3
31	P309001234160000	Shift Mechanism
32	P312001517730000	Support For Fixing Shift Rotation
33	BGB16674-M6×16	Hexagon Flange Bolt M6×16
34	BGB6177.1-M6	Hexagon Flange Nut M6

Frame Body



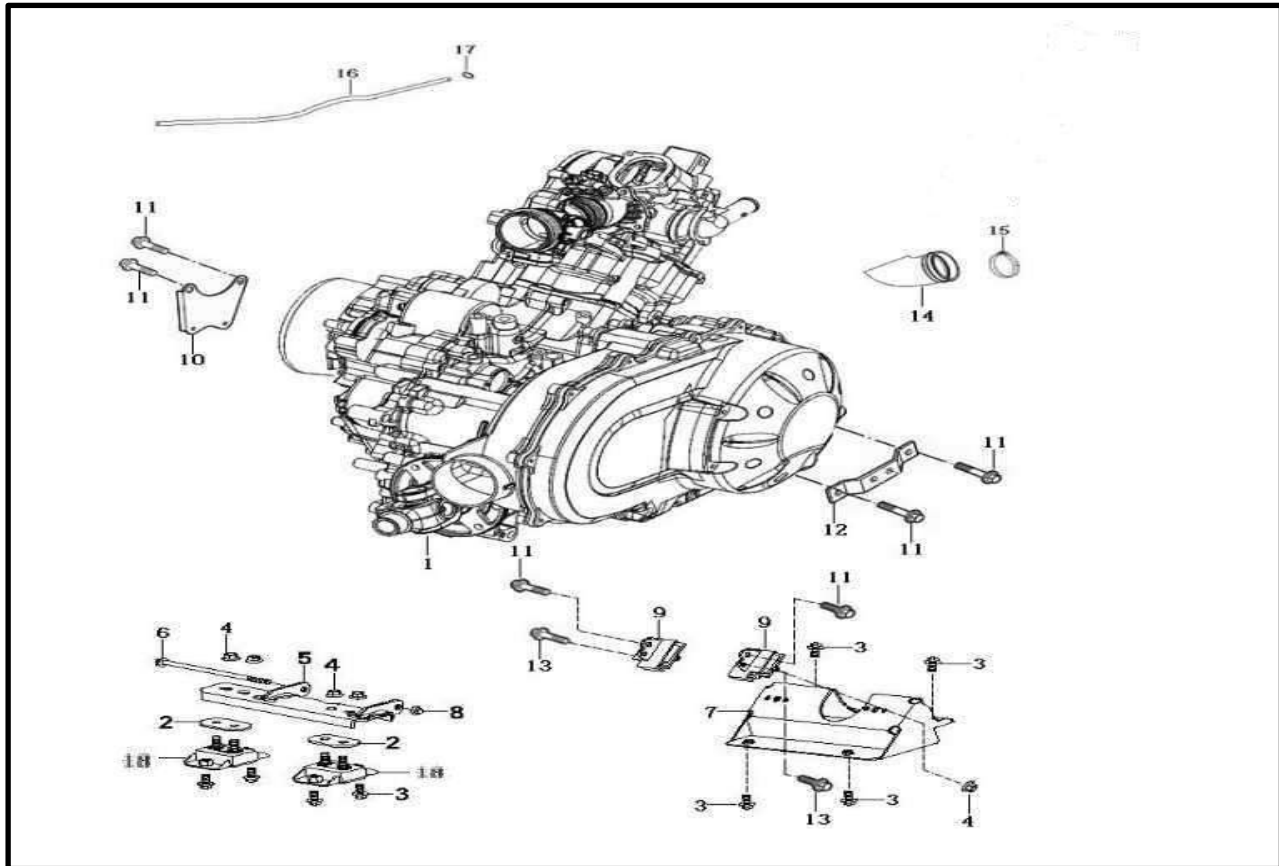
1	P309001511000000	Frame Joint Parts
2	PJ00000924200000	Plastic Plug 25×40
3	PJ00000924020100	Plastic Plug 30×30
4	P309001515540000	Seat Support Plate I
5	P309001515550000	Support Plate, Footrest
6	BGB16674-M8×16	Hexagon Flange Bolt M8×16
7	P309001515560000	Support Plate, Battery box
8	PJ00000931550000	Adjust Damping Washer
9	BGB6177.1-M8	Nut M8
10	PJ00000924200100	Plastic Plug 60×40
11	PJ00000924020200	Plastic Plug 40×40
12	P112000825050000	Front Bottom Protective Plate
13	P116000825060000	Middle Bottom Protective Plate
14	P309001515570000	Protective Plate, Rear Axle
15	BGB16674-M6×16	Hexagon Flange Bolt M6×16
16	P115000515240000	Cap Washer
17	P309001515580000	Fixed Plate
18	PJ00000905200500	Cross Large Plate Head Screw M6×16
19	P309001515590000	Lock Catch Fixed Support, Safety Belt

Frame Body



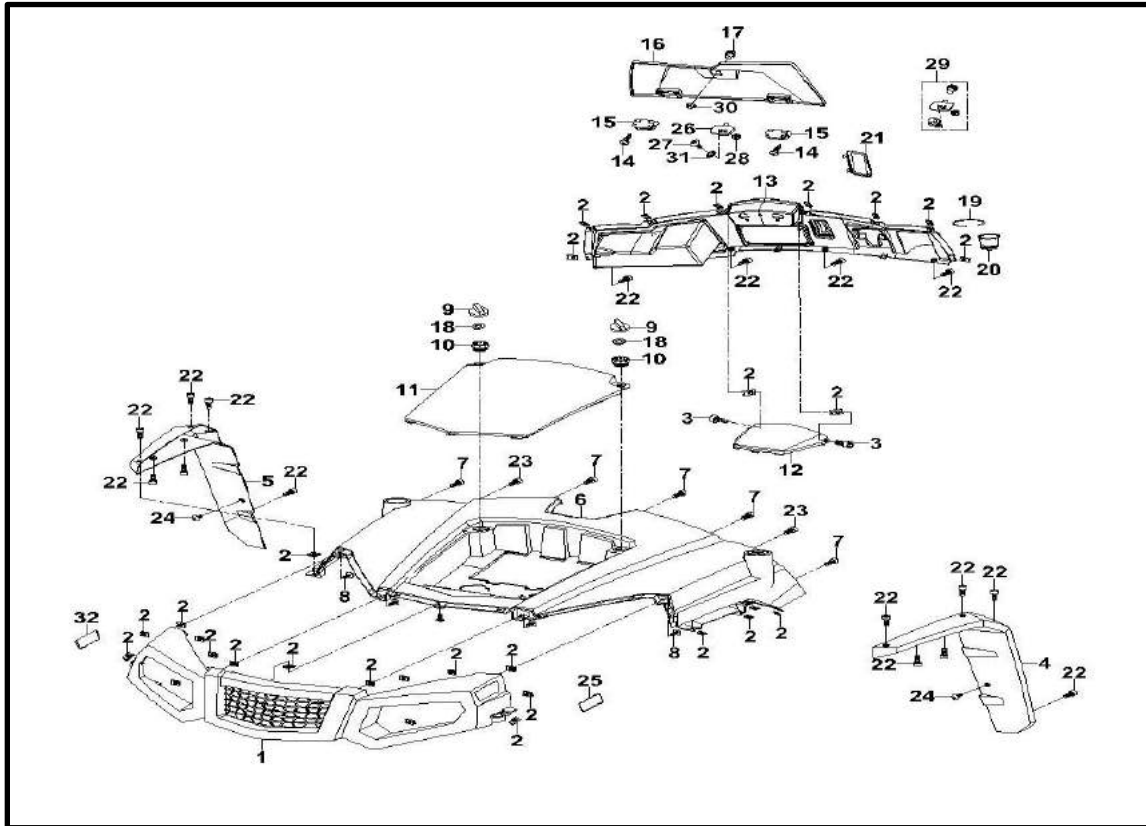
20	P311001353250000	Rear License Plate Lamps
21	P309002515030000	Light Mounting Support I
	P309006515030000	Light Mounting Support I
22	P309002515040000	Light Mounting Support ii
	P309006515040000	Light Mounting Support ii
23	P309001515370000	License Mounting Plate
24	P309001515600000	Mounting Plate, Rear Axle
25	BGB16674-M10×1.25×20	Hexagon Flange Bolt M10×1.25×20
26	P309001513010000	Bumper Holder I
27	BGB6177.1-M6	Hexagon Flange Nut M6
28	BGB6187-M10×1.25	Hexagon Flange Locked Nut M10×1.25
29	P309001515030000	Light Mounting Support I
	P309005515030000	Light Mounting Support I
30	PJ00000931151000	Rubber Cushion Φ10×20
31	PJ00000931250000	Damping Pad Φ7×2
32	BGB16674-M6×16	Hexagon Flange Bolt M6×16
33	PJ00000384310000	Position Lamp 12V;W5W
34	BGB16674-M8×20	Hexagon Flange Bolt M8×20
35	BGB6177.1-M8	Nut M8
36	P115000891000000	Tool Kit
37	P116000891020000	Shock Absorber Adjusting Wrench

Engine Bracket



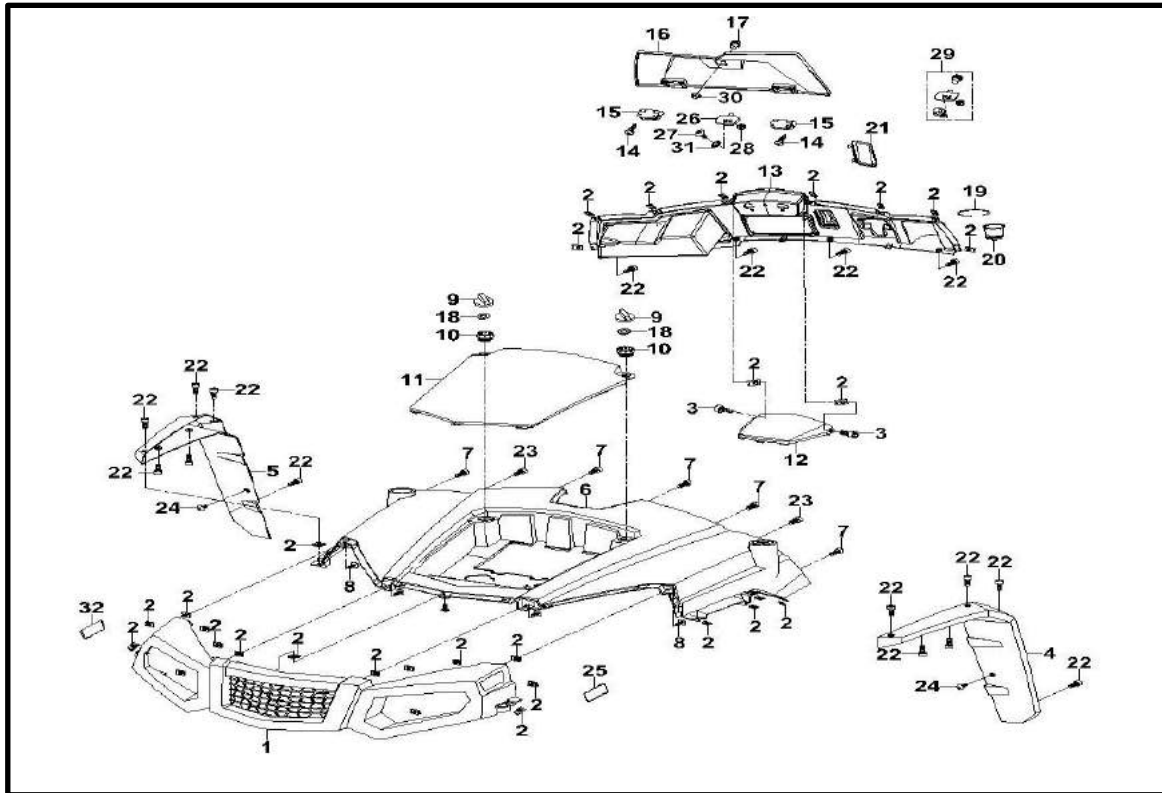
1	E007000100001200	Engine Assy
	E016000100001200	Engine Assy
2	P116000001200000	Vibration Absorbing Gasket
3	BGB16674-M10×1.25×20	Hexagon Flange Bolt M10×1.25×20
4	BGB6187-M10×1.25	Hexagon Flange Locked Nut M10×1.25
5	P309001002100000	Suspension Support I
6	BGB16674-M10×1.25×175	Hexagon Flange Bolt M10×1.25×175
7	P309001002200000	Suspension Support li
8	BGB6187-M10×1.25	Hexagon Flange Locked Nut M10×1.25
9	P1150000050A0000	Rear Suspension Support, Engine
10	P115000002400000	Suspension Support Iv
11	BGB16674-M8×16	Hexagon Flange Bolt M8×16
12	P115000002300000	Suspension Support lii
13	BGB16674-M6×16	Hexagon Flange Bolt M6×16
14	P115000006100000	Fan Vent Pipe Joint
15	PJ00000907301100	Screw Locking Hoop L
16	P107000237010000	Breather Pipe, Gearbox
17	PJ00000907100100	Elastic Hoop B
18	P1160000030A0000	Shock Absorber, Engine

Front Cover



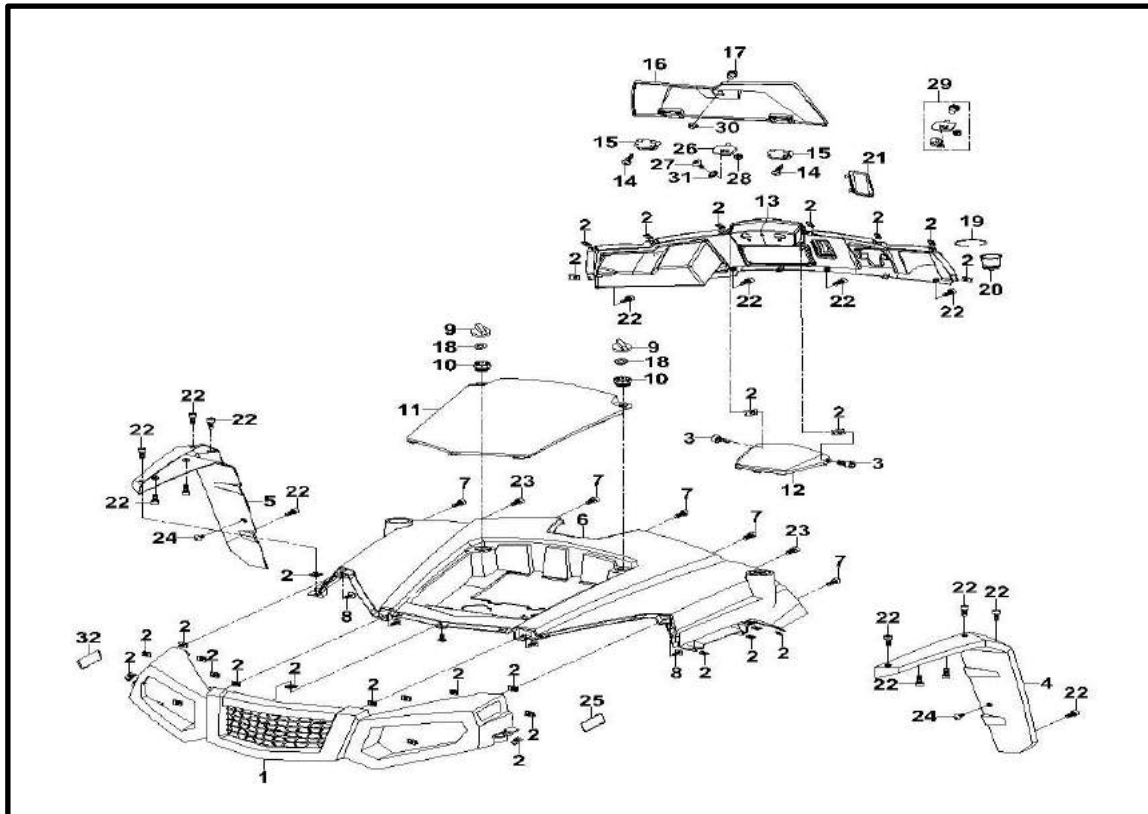
1	P309001822010000	Mounting Plate, Headlight
2	PJ00000903500300	Nut Holder M6x2
3	PJ00000902250000	Socket Hexagon Screw M6x12
4	P309001822070000	Left Fender, Front Cover I
5	P309001822100000	Right Fender, Front Cover I
6	P30900182208000031	Front Panel (Dark Red (ERP NO.:31))
	P30900182208000032	Front Panel (Korean Red)
	P30900182208000033	Front Panel (Deep Red (ERP NO.:33))
	P30900182208000022	Front Panel (Bright Black)
	P30900182208000070	Front Panel (Blue)
	P30900182208000093	Front Panel (Vista Maple Camouflage)
	P30900182208000094	Front Panel (G2 Maple Camouflage)
	P30900182208000095	Front Panel (Walmart Maple Camouflage)
	P30900182208000096	Front Panel (Massimo Maple Camouflage)
	P30900182208000040	Front Panel (Orange)
	P30900182208000012	Front Panel (Bright White)
	P30900182208000052	Front Panel (Massimo Yellow)
	P30900182208000091	Front Panel (Silver)
	P30900182208000092	Front Panel (Green Camouflage)
P30900182208000072	Front Panel (Bahama Blue)	
7	PJ00000902250100	Socket Hexagon Screw M6x16
8	PJ00000905200500	Cross Large Plate Head Screw M6x16
9	P311001822110000	Knob Switch
10	PJ00000933500000	Rubber Sleeve Knob Switch

Front Cover



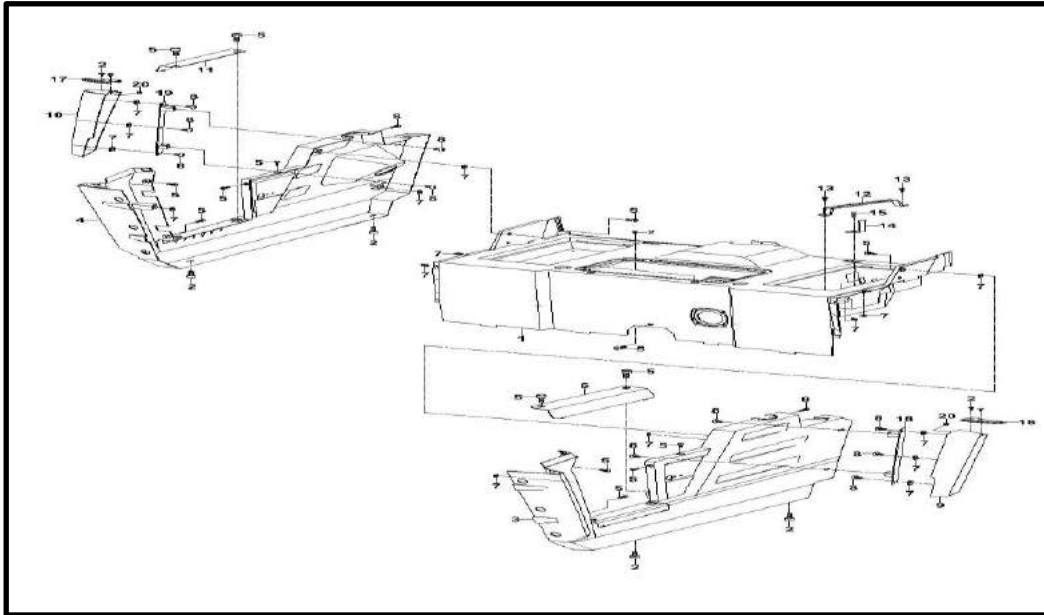
11	P30900182209000031	Cover Of Front Panel: Dark Red (ERP NO.:31) (Model B)
	P30900182209000032	Cover Of Front Panel: Red(Korea)
	P30900182209000033	Cover Of Front Panel: Deep Red(ERP NO.:33)
	P30900182209000022	Cover Of Front Panel: Bright Black
	P30900182209000070	Cover Of Front Panel: Blue
	P30900182209000093	Cover Of Front Panel: Vista Maple Camouflage
	P30900182209000094	Cover Of Front Panel: G2 Maple Camouflage
	P30900182209000095	Cover Of Front Panel: Walmart Maple Camouflage
	P30900182209000096	Cover Of Front Panel: Massimo Maple Camouflage
	P30900182209000040	Cover Of Front Panel: Orange
	P30900182209000012	Cover Of Front Panel: Bright White
	P30900182209000052	Cover Of Front Panel: Massimo Yellow
	P30900182209000091	Cover Of Front Panel: Silver
	P30900182209000092	Cover Of Front Panel: Green Camouflage
	P30900182209000072	Cover Of Front Panel: (Bahama Blue)
12	P309001823080000	Dash Cover
13	P309001823010000	Dash Board
14	BGB845-ST3.9×10	Cross Recessed Pan Head Tapping Screw St3.9×10
15	P1150008230A0000	Plastic Hinges Sundry Box

Front Cover



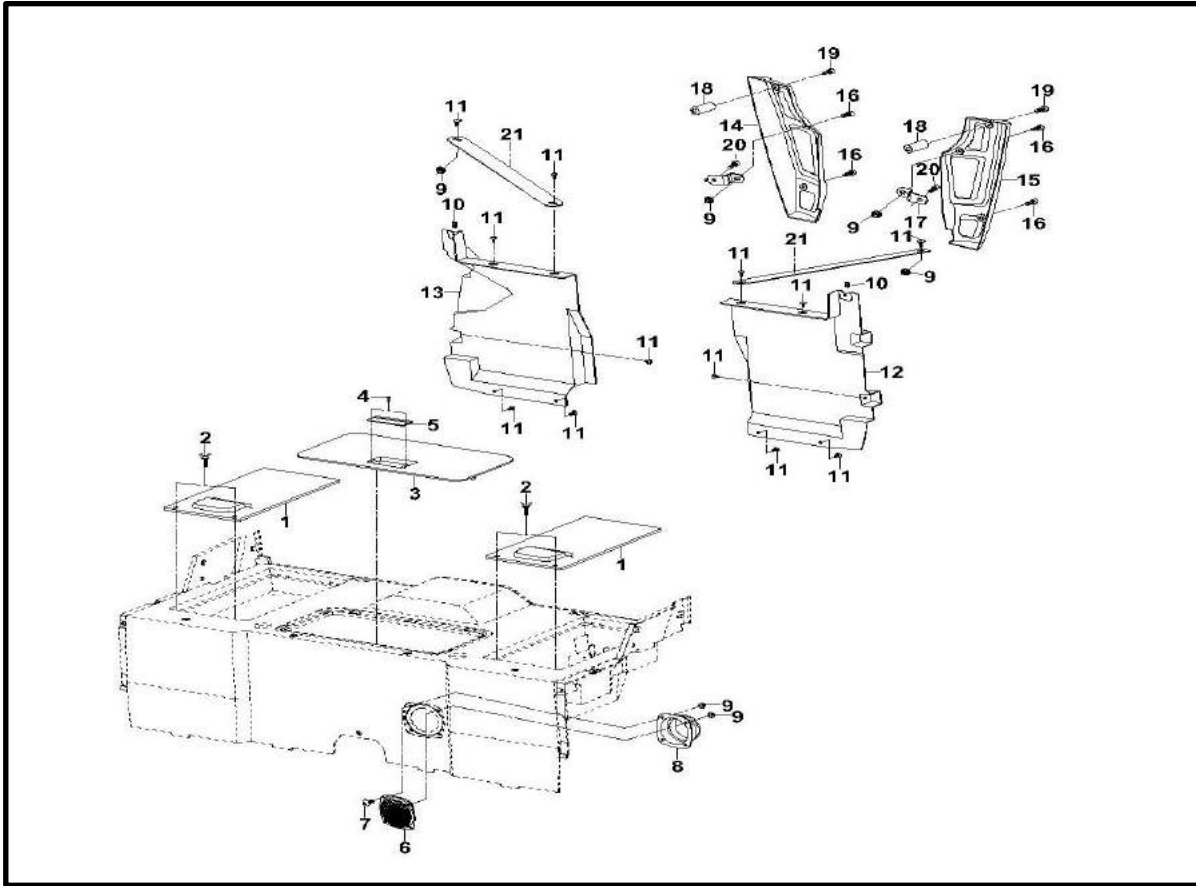
16	P309001823030000	Sundry Box Cover
17	P115000895110000	Lock Catch , Sundry Box
18	PJ00000906050700	Plain Washer $\Phi 15 \times \Phi 22 \times 1.5$
19	PJ000009640000000	Clip, Cup Sink
20	P117000823090000	Boot, Cup Sink
21	P309001515010000	Trim Cover, Shifter
22	PJ00000902250100	Socket Hexagon Screw M6x16
23	PJ00000902250400	Socket Hexagon Screw M6x20
24	PJ00000905200400	Cross Large Plate Head Screw M6x12
25	P309001093110000	Left-Front Reflector Plate
26	P115000895130000	Glove Compartment Locking Plate
27	PJ00000905200100	Cross Large Plate Head Screw M5x16
28	BGB6177.1-M5	Hexagon Flange Nut M5
29	P115000895100000	Glove Compartment Locker
30	P115000895120000	Glove Compartment Nut
31	BGB96.1-5	Plain Washer 5
32	P309001093120000	Right-Front Reflector Plate

Side Cover



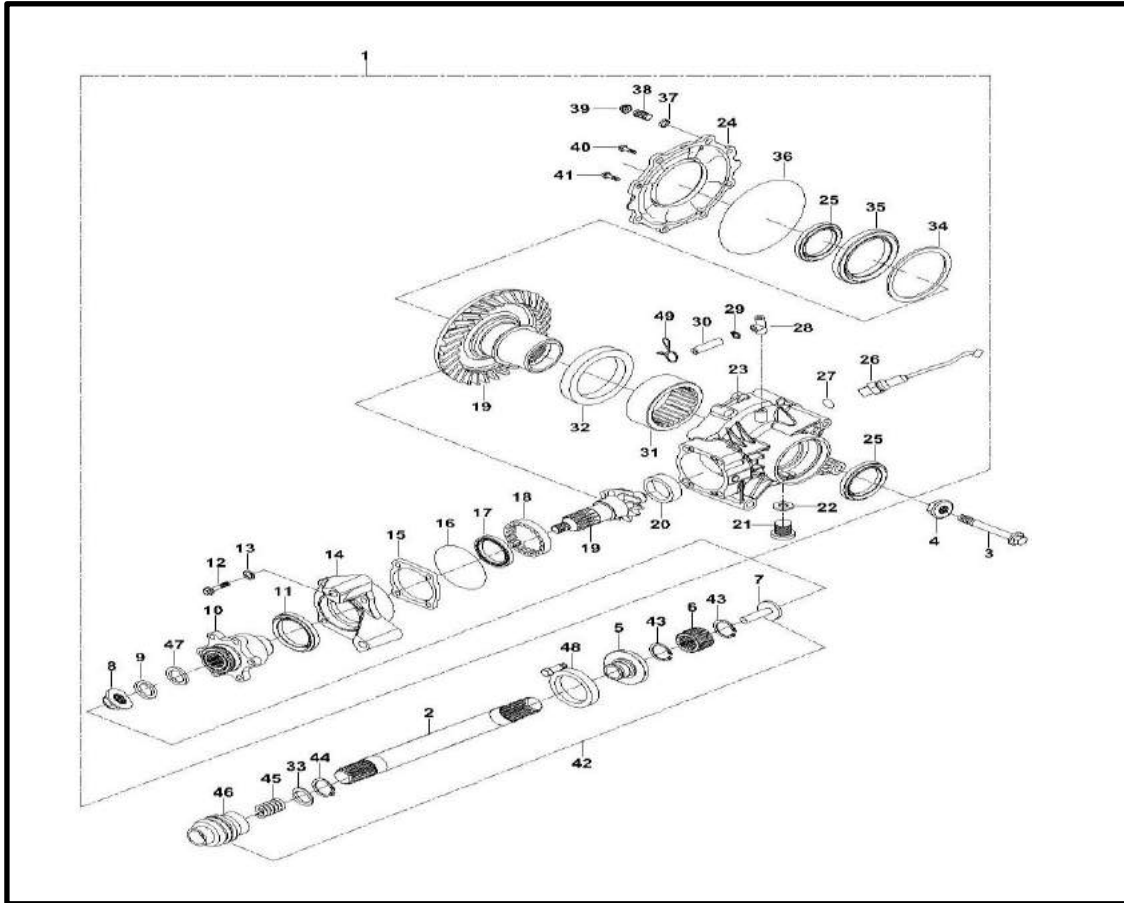
1	P30900182405000023	Front Board I, Seat
2	PJ00000905200500	Cross Large Plate Head Screw M6×16
3	P309001824060000	Left Seat Board I
4	P309001824120000	Right Seat Board I
5	PJ00000902250100	Socket Hexagon Screw M6×16
6	P309001515170000	Decorative Sheet Front Left Backplate
7	PJ00000903500300	Nut Holder M6×2
8	PJ00000905200500	Cross Large Plate Head Screw M6×16
9	P309001828070000	Rear Left Wheel Regula I
10	P309001828080000	Rear Right Wheel Regula I
11	P309001515180000	Decorative Sheet Front Right Backplate
12	P309001515210000	Pressing Plate Battery
13	BGB16674-M6×16	Hexagon Flange Bolt M6×16
14	P303001511250000	Support, Starting Relay
15	BGB845-ST4.2×13	Cross Recessed Pan Head Tapping Screw St4.2×13
16	PJ00000933550200	Anti-Backlash Mat (L) Bed
17	PJ00000933550300	Anti-Backlash Mat (R) Bed
18	P309001516360000	Mounting Plate I Fender
19	P309001516370000	Mounting Board, Fender II
20	BGB6177.1-M6	Hexagon Flange Nut M6

Footrest



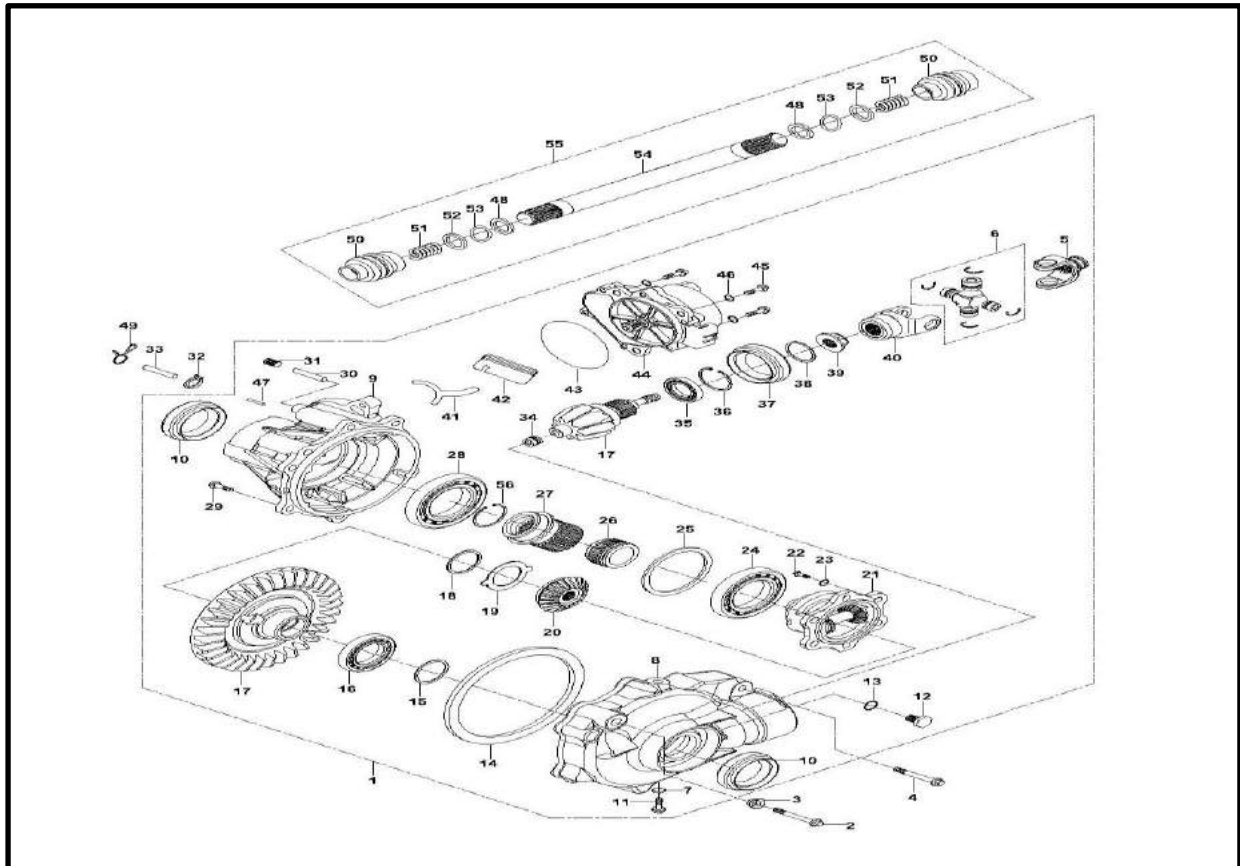
1	P309001829060000	Battery Cover
2	PJ00000902400000	Butterfly Type Bolt M6×20
3	P309001829100000	Debugging Box Board
4	BGB845-ST3.9×13	Cross Recessed Pan Head Tapping Screw St3.9×13
5	P312001515620000	Holder, Debugging Box
6	P311001824140000	Primary Filter Net
7	PJ00000905200600	Cross Large Plate Head Screw M6×20
8	P312001824190000	Clutch Intake Pipe
9	BGB6177.1-M6	Hexagon Flange Nut M6
10	PJ00000903500300	Nut Holder M6×2
11	PJ00000905200500	Cross Large Plate Head Screw M6×16
12	P309001825030000	Rear Board Ii, Seat
13	P309001825040000	Rear Left Board I, Seat
14	P117000828030000	Rear Protecting Board I
15	P117000828040000	Rear Protecting Board II
16	PJ00000902250100	Socket Hexagon Screw M6×16
17	P309001515630000	Mounting Support, Rear Protecting Board
18	PJ00000929000700	Bushing Φ7×Φ15×15
19	PJ00000902250500	Socket Hexagon Screw M6×30
20	BGB16674-M6×16	Hexagon Flange Bolt M6×16
21	P309001516330000	Support, Side Board

Rear Bridge Reducer



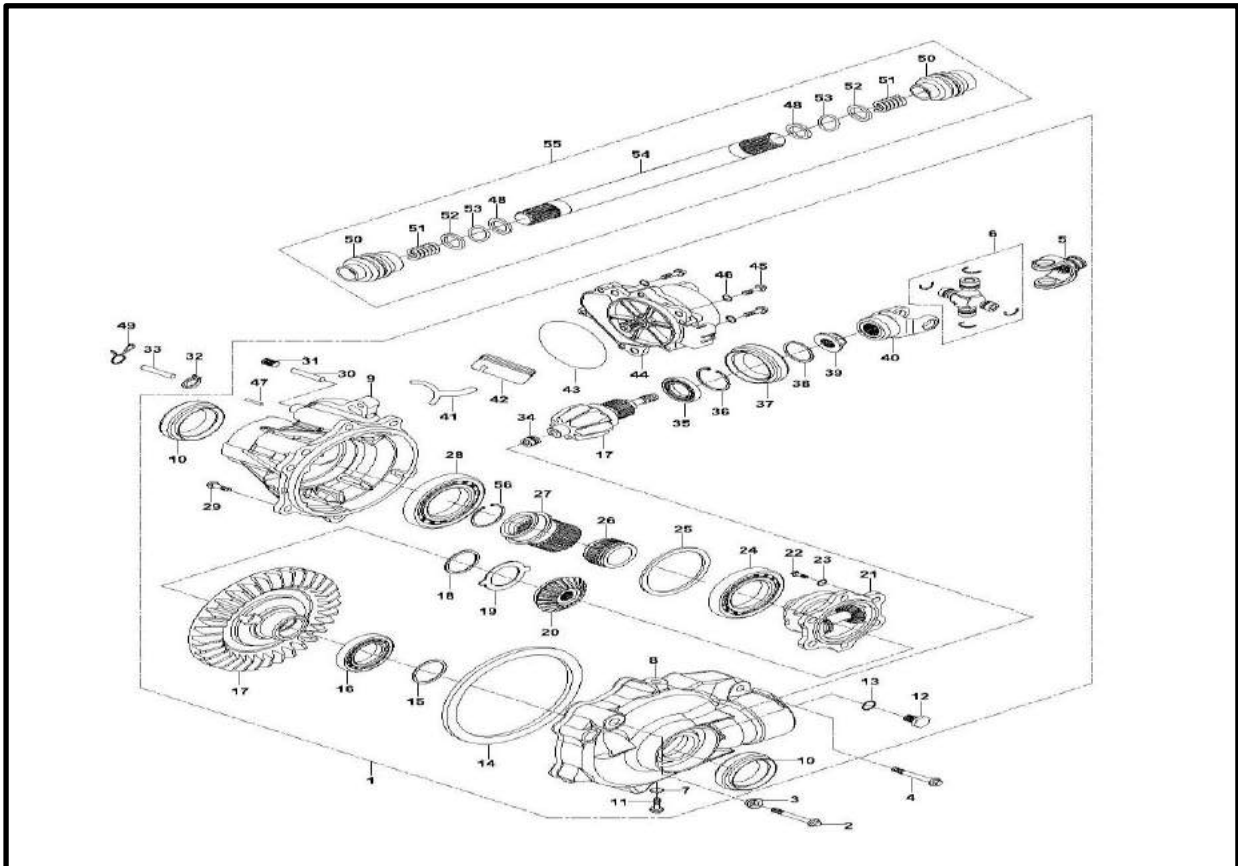
1	P11500027200000	Rear Reducer Assy
2	PJ00000252000200	Rear Drive Shaft C
3	BGB16674-M10×1.25×120	Bolt M10×1.25×120
4	BGB6187-M10×1.25	Hexagon Flange Locked Nut M10×1.25
5	PJ00000251020300	Rubber Dust-Cover D
6	PJ00000251070000	Drive Shaft Sleeve A
7	PJ00000251090000	Mount Bracket Rear Disk Brake Plate
8	BGB6187-M12×1.25	Hexagon Flange Lock Nut M12×1.25
9	P115000272140000	Washer, Drive Shaft
10	P115000272520000	Rear Drive Shaft Connecting Seat
11	P115000911160000	Oil Seal $\Phi 61 \times \Phi 35 \times 9$
12	BGB16674-M8×35	Hexagon Flange Bolt M8×35
13	BGB97.1-8	Plain Washer 8
14	P115000272160000	Mount Bracket Parking Brake
15	PJ00000273001300	Adjustment Washer $\Phi 78 \times \Phi 93 \times 0.1$
16	P115000272410000	O-Ring Gasket $\Phi 3.1 \times \Phi 63.8$
17	BGB276-6305	Deep Groove Ball Bearing 6305
18	P115000272180000	Sleeve
19	P115000272310000	Drive & Driven Gears Assy, Rear Axle
20	P115000929020000	Needle bearing $\Phi 22 \times \Phi 30 \times 13$
21	BGB16674-M10×1.25×16	Hexagon Flange Bolt M10×1.25×16
22	P115000272630000	Oil Drain Plug O-Ring $\Phi 1.5 \times \Phi 9$
23	P115000272020000	Rear Axle Gear Box
24	P115000272010000	Rear Axle Gear Box Cover
25	P115000911170000	Oilseal $\phi 65 \times \Phi 90 \times 9$

Front Axle



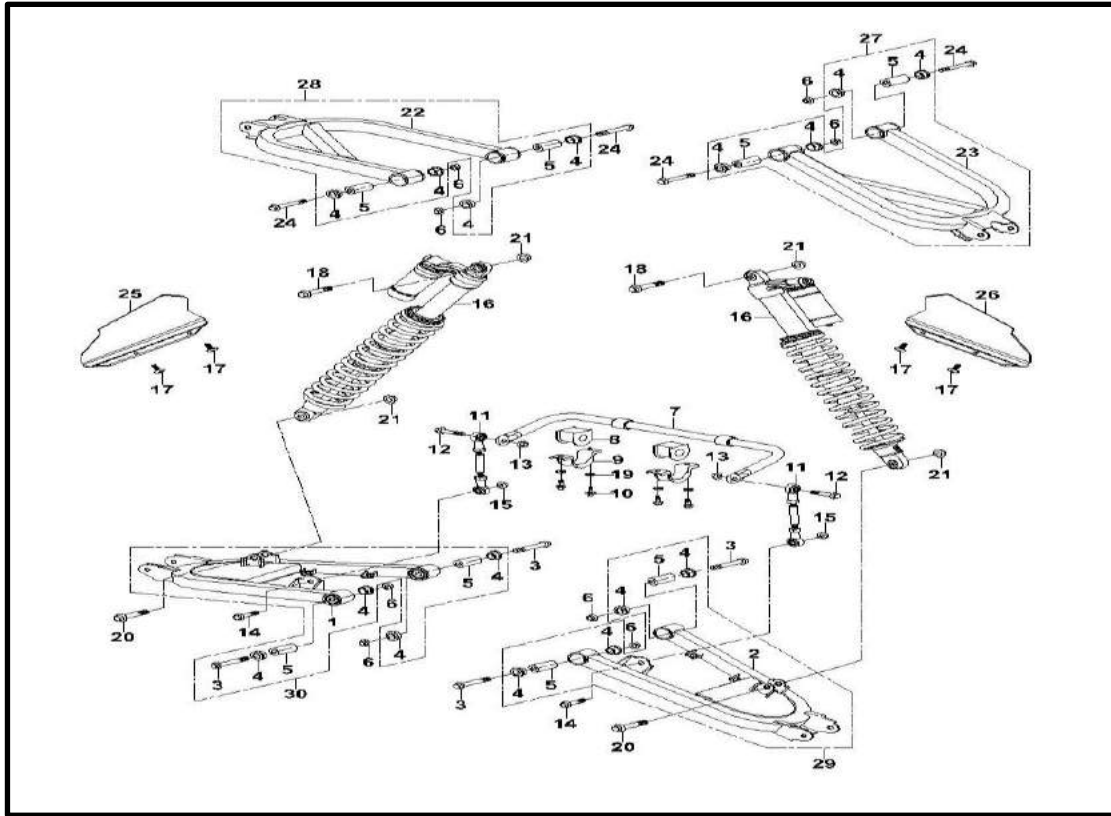
1	P115000271000000	Front Differential Assy
2	BGB16674-M10×1.25×142	Hexagon Flange Bolt M10×1.25×142
3	BGB6187-M10×1.25	Hexagon Flange Locked Nut M10×1.25
4	BGB16674-M10×1.25×30	Hexagon Flange Bolt M10×1.25×30
5	PJ00000254000200	Connection Fork C
6	PJ00000255000100	Universal Joint
7	P115000272630000	Oil Drain Plug O-Ring Φ1.5×Φ9
8	P107000271040000	Front Axle Gear Box
9	P107000271030000	Front Axle Gear Box Cover
10	P115000911220000	Front Diff. Output Shaft Oil Sealφ24×Φ38×8
11	BGB16674-M10×1.25×16	Hexagon Flange Bolt M10×1.25×16
12	P115000271520000	Screw m M14×1.5×10
13	BJB6659-φ12.5×φ1.5	O-Ring Gasket Φ12.5×Φ1.5
14	BGB3452.1-φ140×φ2.65	O-Ring Φ140×Φ2.65
15	PJ00000273000000	Adjustment Gasket I φ50×Φ61.5
16	GBG276-1994-6007	Deep Groove Ball Bearing 6007
17	P115000271510000	Drive & Driven Gears Assy, Front Axle
18	PJ00000273000600	Adjustment Gasket Φ40×Φ57×0.1
19	P115000271080000	Anti-Rotation Gasket
20	P115000271110000	Bevel Gear Front Axle
21	P115000271120000	Transfer Gear
22	BGB5783-M10×1.25×16	Hexagon Bolt M10×1.25×16
23	BGB97.1-10	Plain Washer Φ10
24	BGB276-61912	Deep Groove Ball Bearing 61912
25	PJ00000273000300	Adjustment Gasket Φ71×Φ83×0.1
26	P107000271140000	Sliding Sleeve
27	P115000271150000	Divide Device Connection

Front Axle



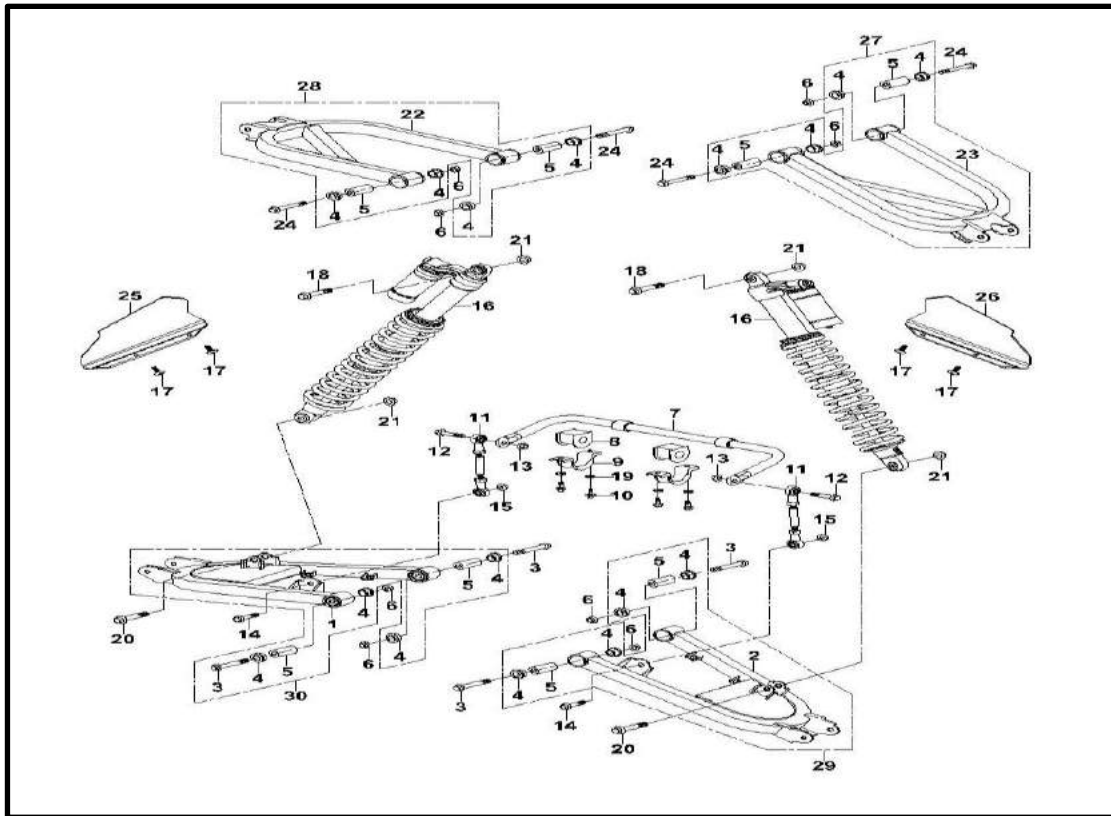
28	BGB276-16007	Deep Groove Ball Bearing $\Phi 35 \times \Phi 62 \times 9$
29	BGB16674-M8x25	Hexagon Flange Bolt M8x25
30	P115000271160000	Cylindrical Pin $\Phi 5 \times 75$
31	P103000271170000	Inner Hexagon Screw With Flat Head M8x10
32	PJ00000907100200	Elastic Hoop C
33	PJ00000274000000	Pipe A
34	P115000929010000	Needle Bearing $\Phi 15 \times \Phi 21 \times 12$
35	BGB276-1994-6007	Deep Groove Ball Bearing 6007
36	BGB893.1-d0=62	Circlip D0=62
37	P115000911150000	Oil Seal $\Phi 48 \times \Phi 65 \times 9$, Driving Tooth
38	P115000271390000	O-Ring $\Phi 14 \times \Phi 7$, Driving Tooth
39	BGB6187-M14x1.5-C	Hexagon Flange Locked Nut M14x1.5
40	PJ00000254000700	Connection Fork H
41	P115000271190000	Fork
42	P115000271200000	Spline
43	P115000271410000	O-Ring $\Phi 81 \times \Phi 2$
44	P115000271210000	Transfer Case Assembly
45	BGB70.1-M8x20	Hexagon Socket Cap Screw M8x20
46	BGB97.1-8	Plain Washer 8
47	P107000271220000	Air Tap Front Axle
48	PJ00000251050100	Hoop B
49	PJ00000907400000	Steel Clip $\Phi 10$
50	PJ00000251020200	Rubber Dust-Cover C
51	PJ00000251030100	Pressure Spring B Drive Shaft
52	PJ00000251010000	Gearshift Arm
53	BGB895.2-d0=25	Washer A Drive Shaft D0=25
54	PJ00000251000300	Front Drive Shaft D
55	P309001251500000	Front Drive Shaft Assy, Front Diff.
56	BGB893.1-d0=62	Circlip D0=62

Rear Swing Arm



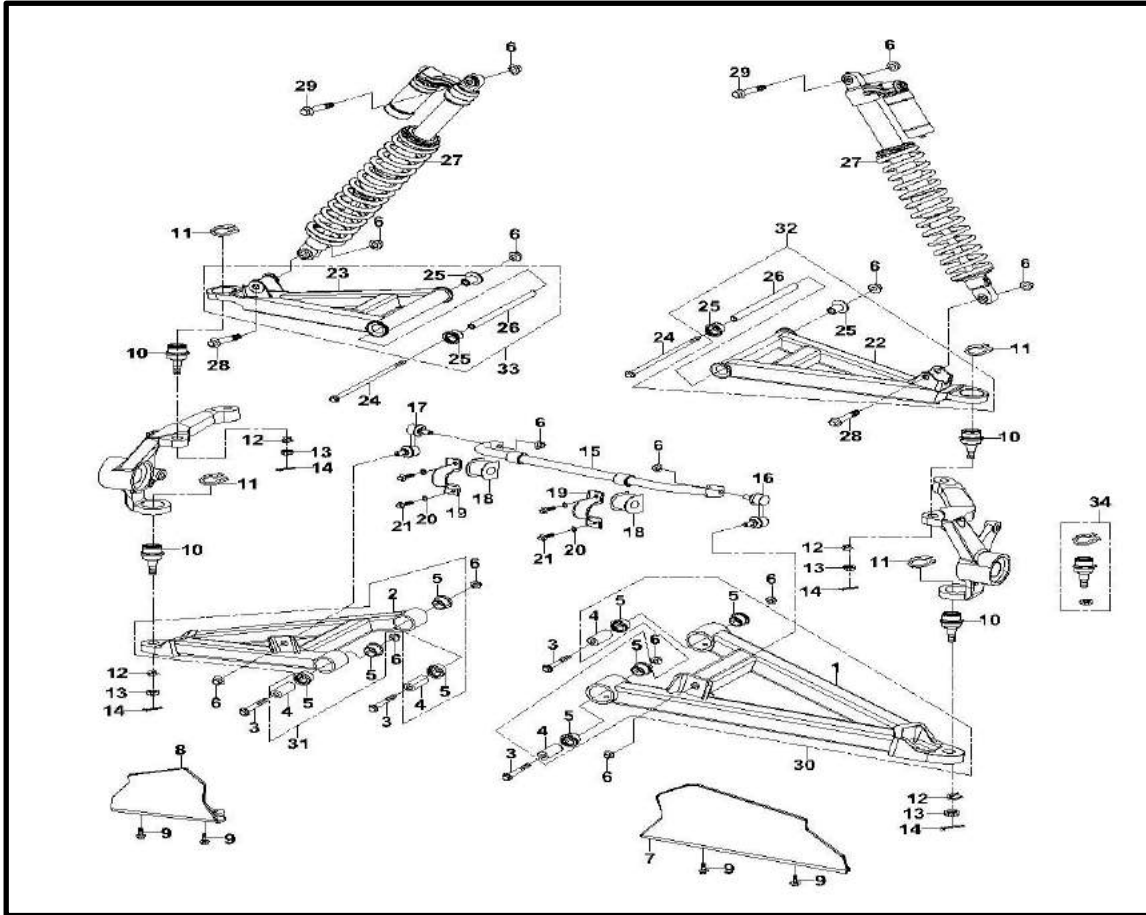
1	P3090015545A0000	Rear Right Lower Swing Arm
2	P3090015535A0000	Rear Left Lower Swing Arm
3	BGB16674-M10x1.25x78	Hexagon Flange Bolt M10x1.25x78
4	PJ00000925000200	Bushing $\Phi 23 \times \Phi 28$
5	PJ000009290009400	Cylindrical Bush $\Phi 10.3 \times \Phi 23 \times 49.4$
6	BGB6187-M10x1.25	Hexagon Flange Locked Nut M10x1.25
7	P3090015574A0000	Rear Balancing Lever
8	PJ00000931400100	Bush $\Phi 20 \times 45$
9	P115000515900000	Mounting Cap Cushion Rubber
10	BGB16674-M8x20	Hexagon Flange Bolt M8x20
11	P309001557500000	Rear Balancing Lever
12	BGB16674-M10x1.25x45	Hexagon Flange Bolt M10x1.25x45
13	BGB6187-M10x1.25	Hexagon Flange Locked Nut M10x1.25
14	BGB16674-M10x1.25x40	Hexagon Flange Bolt M10x1.25x40
15	BGB6187-M10x1.25	Hexagon Flange Locked Nut M10x1.25
16	PJ00000551000100	Rear Shock Absorber
17	BGB16674-M6x16	Hexagon Flange Bolt M6x16
18	BGB16674-M12x1.25x65	Hexagon Flange Bolt M12x1.25x65
19	BGB93-8	Spring Washer8

Rear Swing Arm



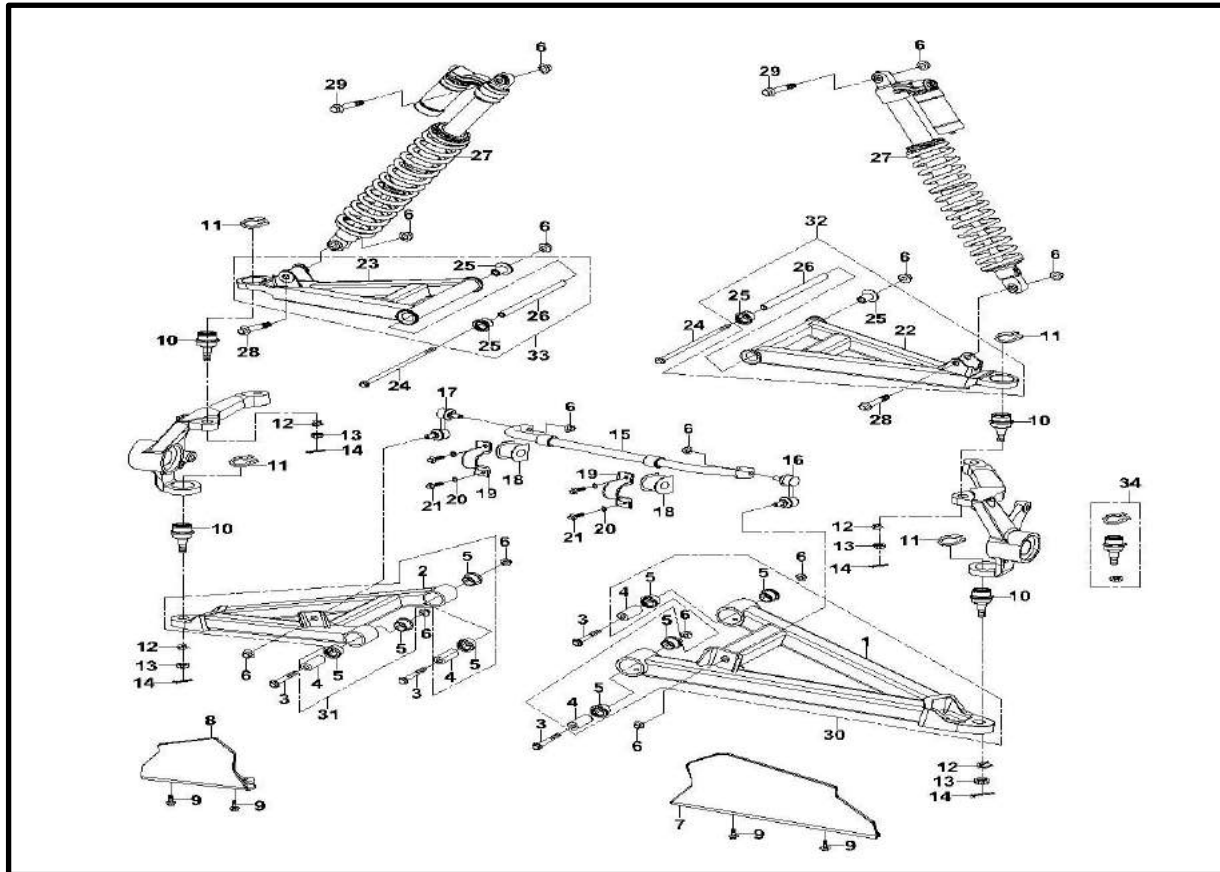
20	BGB16674-M12x1.25x60	Hexagon Flange Bolt M12x1.25x60
21	BGB6187-M12x1.25	Hexagon Flange Lock Nut M12x1.25
22	P3090015540A0000	Rear Right Upper Swing Arm
23	P3090015530A0000	Rear Left Upper Swing Arm
24	BGB16674-M10x1.25x78	Hexagon Flange Bolt M10x1.25x78
25	P311001515650000	Swing Arm Shield II (HSUN)
	P311001515650100	Swing Arm Shield II
	P311001515650200	Swing Arm Shield II (MASSIMO)
	P311001515650300	Swing Arm Shield II
	P311001515650400	Swing Arm Shield I
26	P311001515640000	Swing Arm Shield I (HSUN)
	P311001515640100	Swing Arm Shield I
	P311001515640200	Swing Arm Shield I (MASSIMO)
	P311001515640300	Swing Arm Shield I
	P311001515640400	Swing Arm Shield I
27	P309001554500000	Rear Left Upper Swing Arm
28	P309001554000000	Rear Right Upper Swing Arm
29	P309001553500000	Rear Left Lower Swing Arm
30	P309001554500000	Rear Right Lower Swing Arm

Front Swing Arm



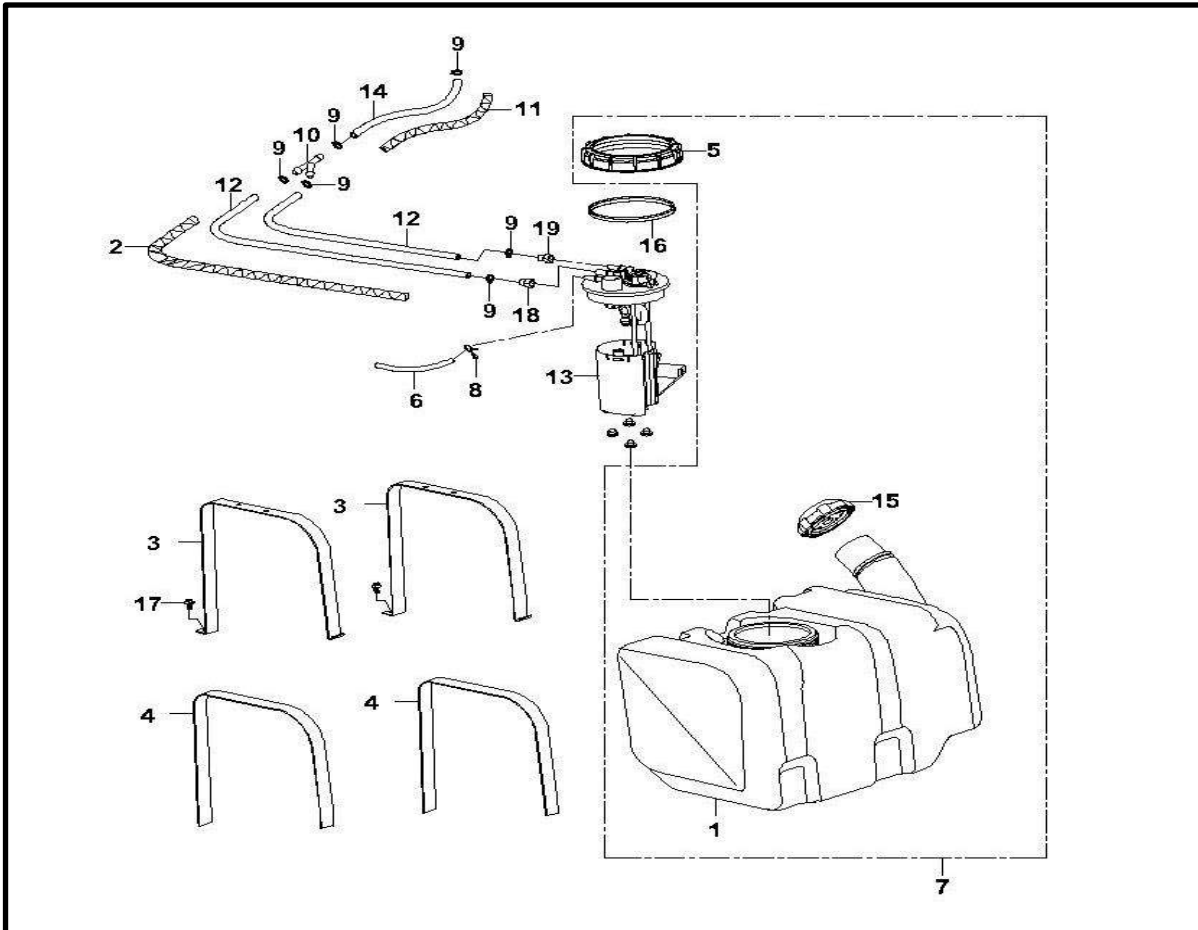
1	P3090015235A0000	Front Left Lower Swing Arm
2	P3090015245A0000	Front Right Lower Swing Arm
3	BGB16674-M10×1.25×78	Hexagon Flange Bolt M10×1.25×78
4	PJ00000929009400	Cylindrical Bush $\Phi 10.3 \times \Phi 23 \times 49.4$
5	PJ00000925000200	Bushing $\Phi 23 \times \Phi 28$
6	BGB6187-M10×1.25	Hexagon Flange Locked Nut M10×1.25
7	P311001515650000	Swing Arm Shield II (HSUN)
	P311001515650100	Swing Arm Shield II
	P311001515650200	Swing Arm Shield II (MASSIMO)
	P311001515650300	Swing Arm Shield II
	P311001515650400	Swing Arm Shield I
8	P311001515640000	Swing Arm Shield I (HSUN)
	P311001515640100	Swing Arm Shield I
	P311001515640200	Swing Arm Shield I (MASSIMO)
	P311001515640300	Swing Arm Shield I
	P311001515640400	Swing Arm Shield I
9	BGB16674-M6×16	Hexagon Flange Bolt M6×16
10	PJ000005250A0400	Ball Joint E Steering Knuckle

Front Swing Arm



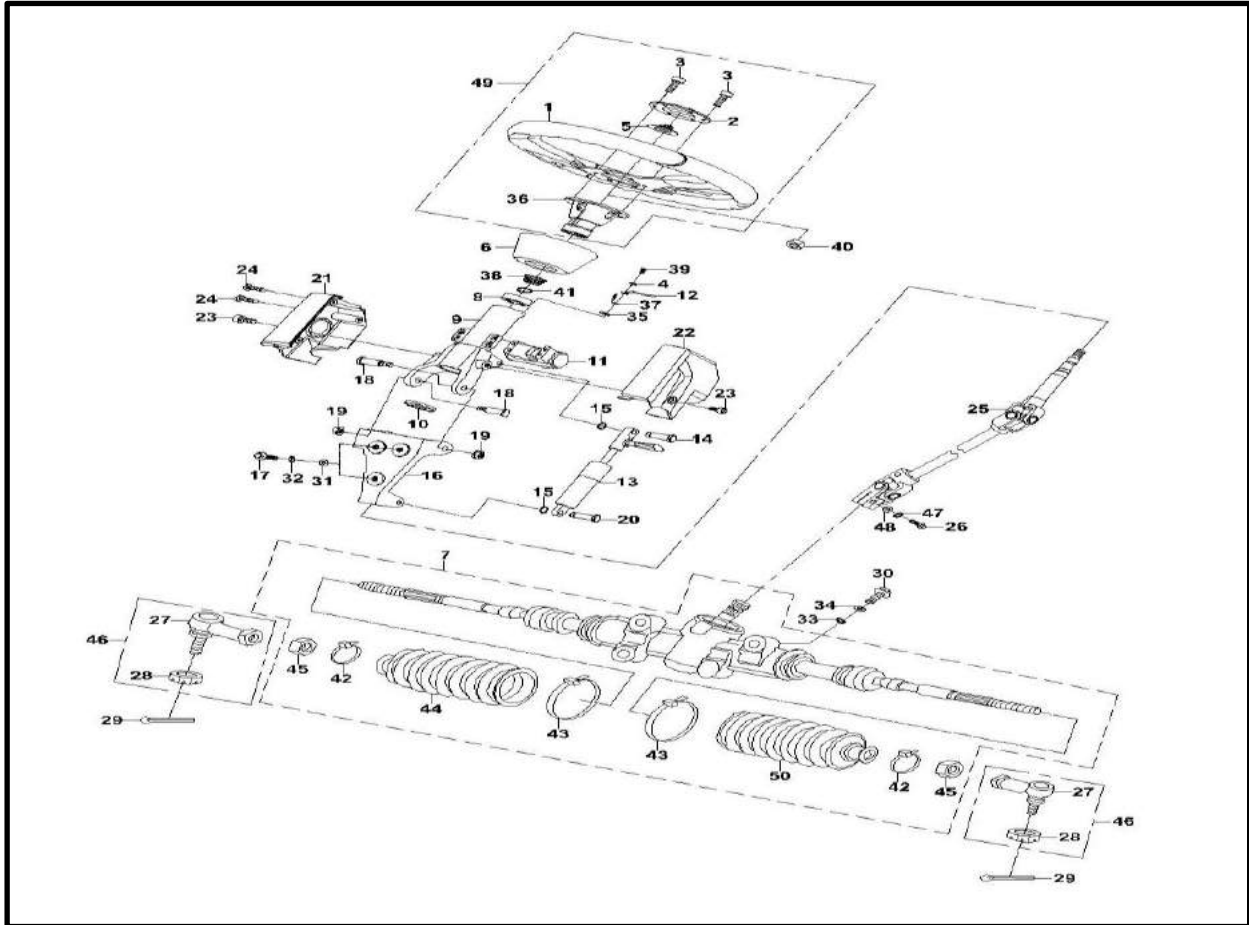
11	BGB894.1-d0=30	Circlip D0=30
12	BGB93-12	Spring Washer 12
13	BGB9459-M12×1.25-BA	Hexagon Nut M12×1.25 (Zinc Plating-Blue White)
14	BGB91-2.5×30	Cotter Pin 2.5×30
15	P3090015274A0000	Anti-Roll Bar, Front Suspension
16	P115000557450000	Right Ball Joint Balancing Lever
17	P115000557440000	Left Ball Joint Balancing Lever
18	PJ00000931400100	Bush Φ20×45
19	P115000515900000	Mounting Cap Cushion Rubber
20	BGB93-8	Spring Washer8
21	BGB16674-M8×20	Hexagon Flange Bolt M8×20
22	P3090015230A0000	Front Left Upper Swing Arm
23	P3090015240A0000	Front Right Upper Swing Arm
24	BGB16674-M10×1.25×235	Hexagon Flange Bolt M10×1.25×235
25	PJ00000925000100	Bushing Φ15.5×Φ19×30×35
26	PJ00000929003000	Cylindrical Bush Φ10.2×Φ15×211.5
27	PJ00000521000100	Front Shock Absorber Q
28	BGB16674-M10×1.25×55	Hexagon Flange Bolt M10×1.25×55
29	BGB16674-M10×1.25×55	Hexagon Flange Bolt M10×1.25×55
30	P309001523500000	Front left Lower Swing Arm
31	P309001524500000	Front Right Lower Swing Arm
32	P309001523000000	Front Left Upper Swing Arm
33	P309001524000000	Front Right Upper Swing Arm
34	PJ000005250A0400	Ball Joint E Steering Knuckle

Fuel Tank For efi Models



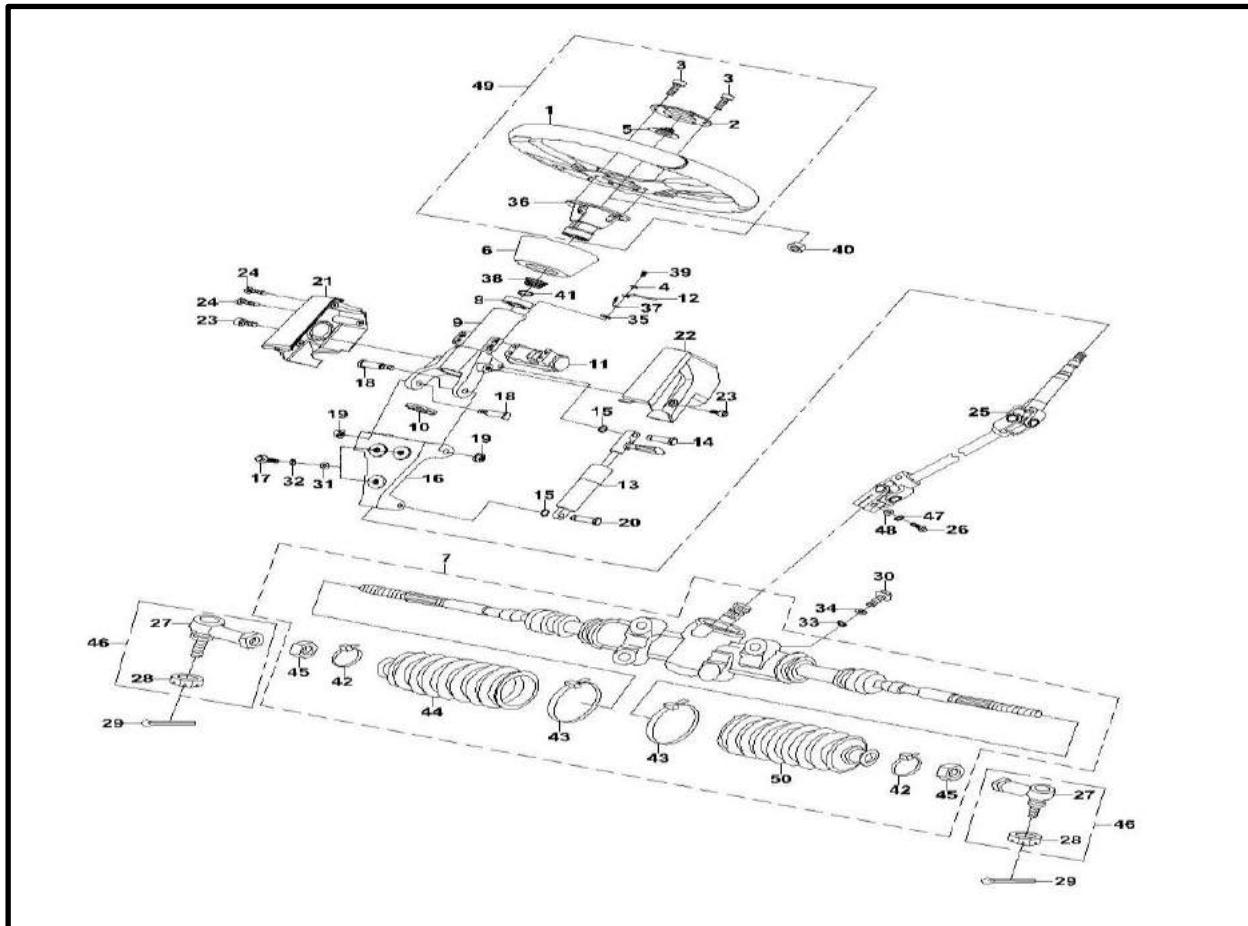
1	P115H00811100000	Fuel Tank (Epa)
	P115H00811101000	Fuel Tank
2	P115H00165250000	Heat-Insulated Bellow li
3	P115000515820000	Pressing Plate i Fuel Tank
4	P115000811540000	Cargo bed Rubber
5	P115H00811530000	Fuel Pump Cover
6	P115K00166010000	Breather Pipe Pressing Plate Of Fuel Tank $\Phi 7 \times \Phi 11 \times 700$
7	P115H00811000000	Fuel Tank Assy(Epa)
	P115H00811001000	Fuel Tank Assy
8	PJ00000907100300	Elastic Hoop D
9	PJ00000907200000	Clamp A
10	P116000165230000	Tee Joint Fuel Tube
11	P115N00165250000	Heat-Insulated Bellow li
12	P110000165110000	Injection Line I
13	P115H00395000001	Fuel Pump
14	P309001165120000	Injection Line II
15	P311001811400000	Fuel Tank Cover
16	PJ00000933800100	Seal Gasket B Fuel Pump
17	BGB16674-M8x30	Hexagon Flange Bolt M8x30
18	P116000165210000	Oil-Out Plug
19	P116000165220000	Fuel Inlet Plug

Steering Wheel Parts



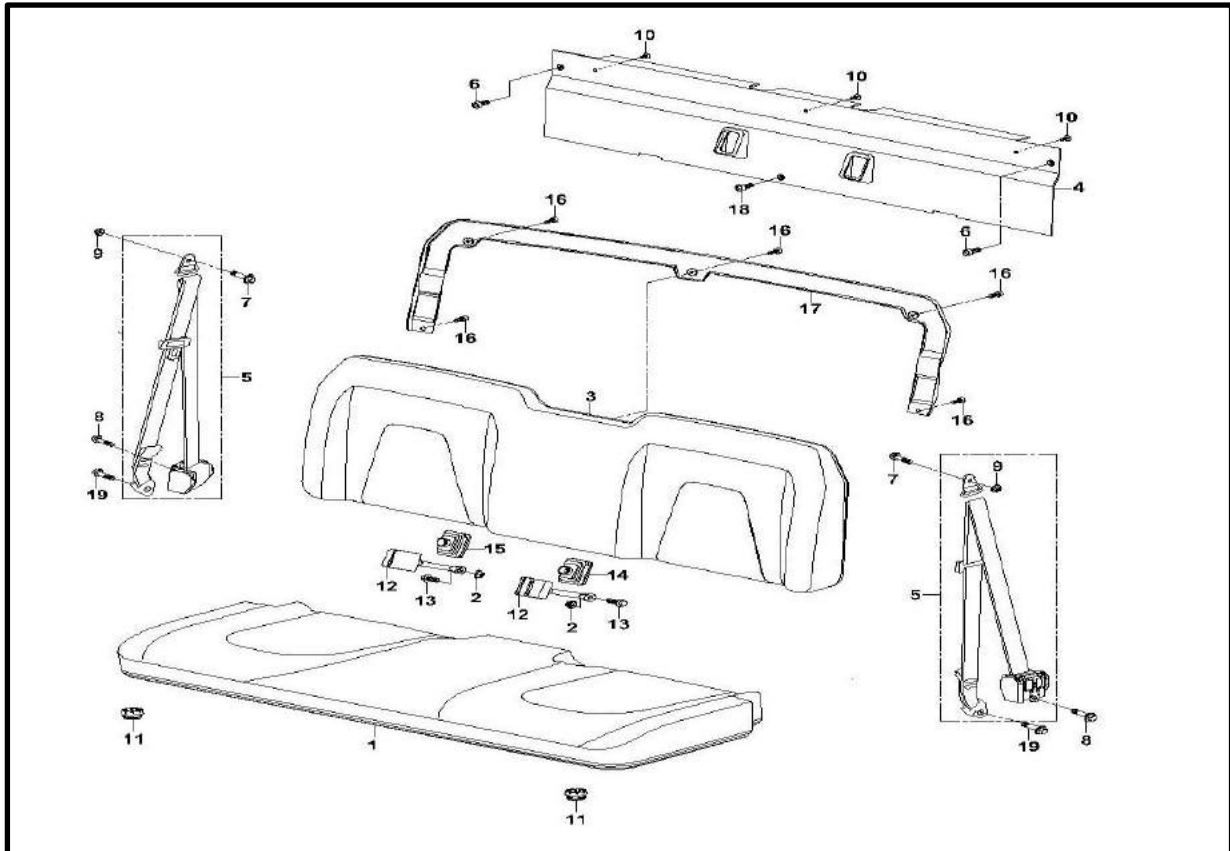
1	P311001611100000	Steering Wheel Assy
2	P311001611200000	Fixed Cap, Steering Wheel
3	BGB70.1-M5×20-B	Socket Hexagon Screw M5×20
4	P311001346110000	Insulation Plate, Horn I
5	P311001611400000	On-Off Switch Horn
6	P311001823050000	Lower Cover I
7	P309001641000000	Steering Gear Assy
8	BGB276-6003-2RZ	Deep Groove Ball Bearing 6003-2Rz
9	P311001612200000	Direction Driveshaft Assy
10	BGB276-6805	Deep Groove Ball Bearing 6805
11	P311001372000000	Ignition Switch
12	P311001346130000	Earth Conductor Horn
13	P309001612300100	Hydromantic Spring Assy
14	PJ00000929710100	Pin Φ8×34
15	BGB896-5	Washer 5
16	P311001612100000	Steering Column
17	BGB16674-M10×1.25×16	Hexagon Flange Bolt M10×1.25×16
18	PJ00000902160000	Step Bolt M6×Φ10×2.5×30.5
19	BGB6187-M6	Hexagon Flange Locked Nut M6
20	PJ00000929710200	Pinφ8×45
21	P312001823070000	Lower Cover III ,Ignition Switch
22	P312001823060000	Steering Column Cover II
23	PJ00000902250000	Socket Hexagon Screw M6×12
24	BGB845-ST3.9×13	Cross Recessed Pan Head Tapping Screw St3.9×13
25	P309001621300000	Direction Driveshaft Assy

Steering Wheel Parts



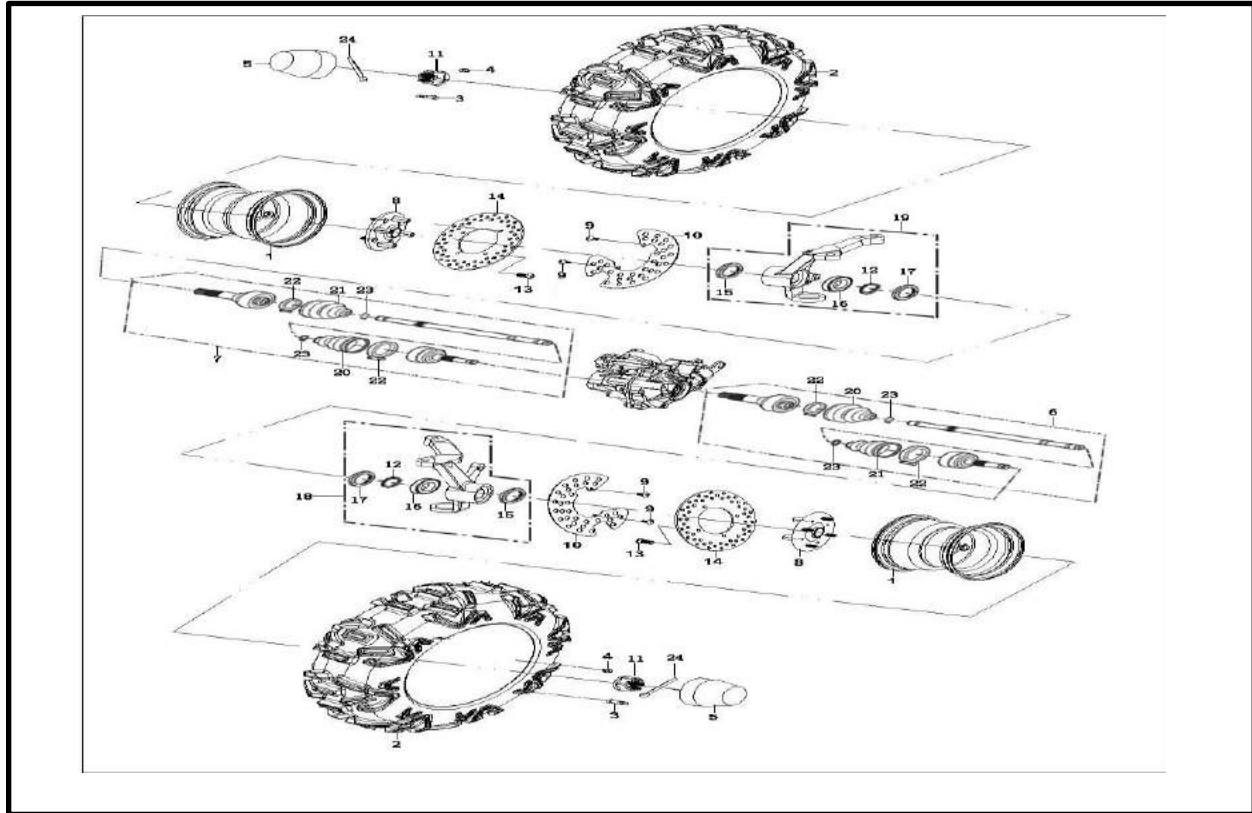
26	BGB16674-M8×30	Hexagon Flange Bolt M8×30
27	P311001642100000	Steering Gear Ball Joint
28	BGB9459-M14×1.5	Hexagon Thin Slotted Nut M14×1.5
29	BGB91-2×30	Pin 2×30
30	BGB16674-M10×1.25×35	Hexagon Flange Bolt M10×1.25×35
31	PJ00000906000700	Gasket 10×32×5
32	BGB93-10	Spring Washer Φ10
33	BGB97.1-10	Plain Washer Φ10
34	BGB93-10	Spring Washer Φ10
35	P311001346120000	Insulation Plate, Horn II
36	P311001611300000	Connecting Cap, Steering Wheel
37	P311001346150000	Connecting Plate, Horn
38	P311001346170000	Spring, Horn
39	BGB818-M4×8	Cross Plate Head Tapping Screw M4×8
40	BGB6187-M12×1.25	Hexagon Flange Lock Nut M12×1.25
41	BGB894.1-d0=17	Circlip D0=17
42	PJ00000907100700	Elastic Hoop H
43	P115000641060000	Clamp
44	P115000641030000	Rubber Boot I
45	BGB6107-M14×1.5	Hexagon Nut M14×1.5
46	P311001642000000	Steering Gear Ball Joint
47	BGB93-8	Spring Washer8
48	BGB97.1-8	Plain Washer 8
49	P311001611000000	Steering Wheel Assy
50	P313001641040000	Dust-Proof Cover II

Seat



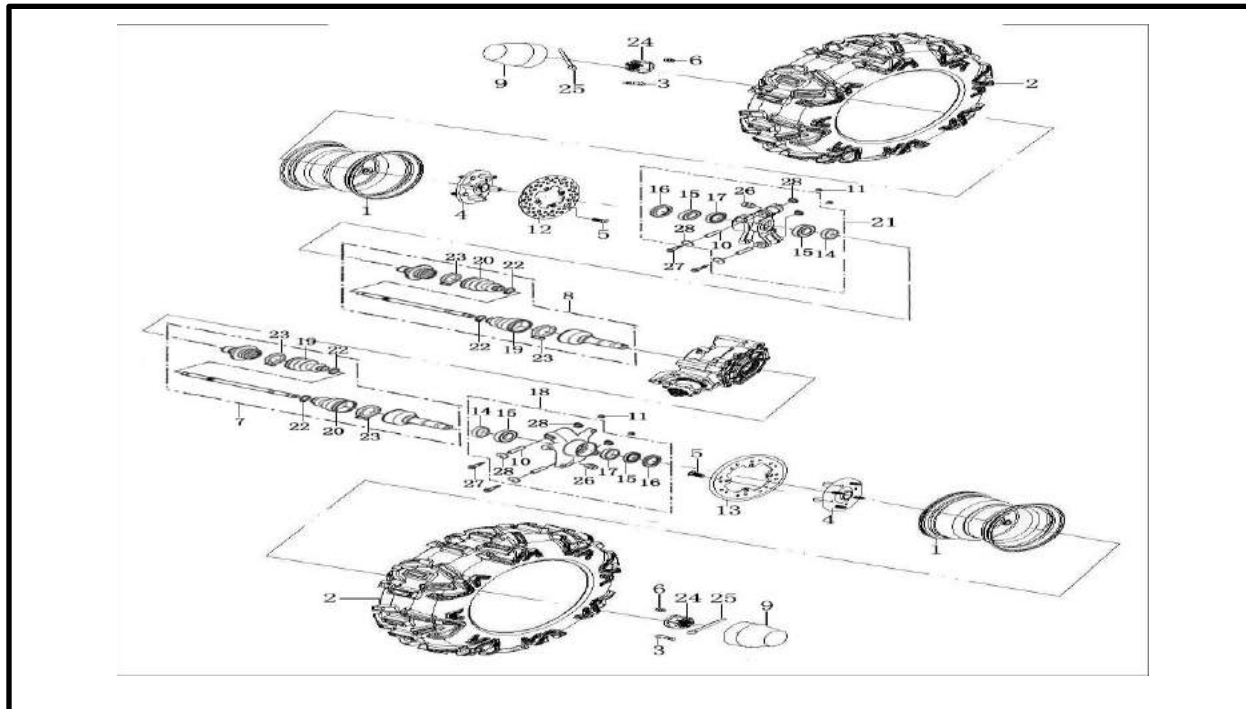
1	P309001711100000	
2	BGB6187-M10×1.25	Hexagon Flange Locked Nut M10×1.25
3	P309001712100000	Backrest Assy
4	P309001826030000	Backrest Backplate I
5	P312001751100000	Safety Belt
6	PJ00000902250100	Socket Hexagon Screw M6×16
7	PJ00000902100600	Hexagon Step Bolt With Pan M10×Φ14×9×25
8	BGB16674-M10×1.25×20	Hexagon Flange Bolt M10×1.25×20
9	BGB6187-M10×1.25	Hexagon Flange Locked Nut M10×1.25
10	PJ00000905200500	Cross Large Plate Head Screw M6×16
11	PJ00000933400000	Rubber Block
12	P312001751200000	Lock Catch I, Safety Belt
13	BGB16674-M10×1.25×20	Hexagon Flange Bolt M10×1.25×20
14	PJ00000932600000	Left Sheath Safety Belt Socket
15	PJ00000932600100	Right Sheath Safety Belt Socket
16	PJ00000902250100	Socket Hexagon Screw M6×16
17	P309001826070000	Backrest Holder
18	PJ00000902250000	Socket Hexagon Screw M6×12
19	PJ00000902100600	Hexagon Step Bolt With Pan M10×Φ14×9×25

Front Axle



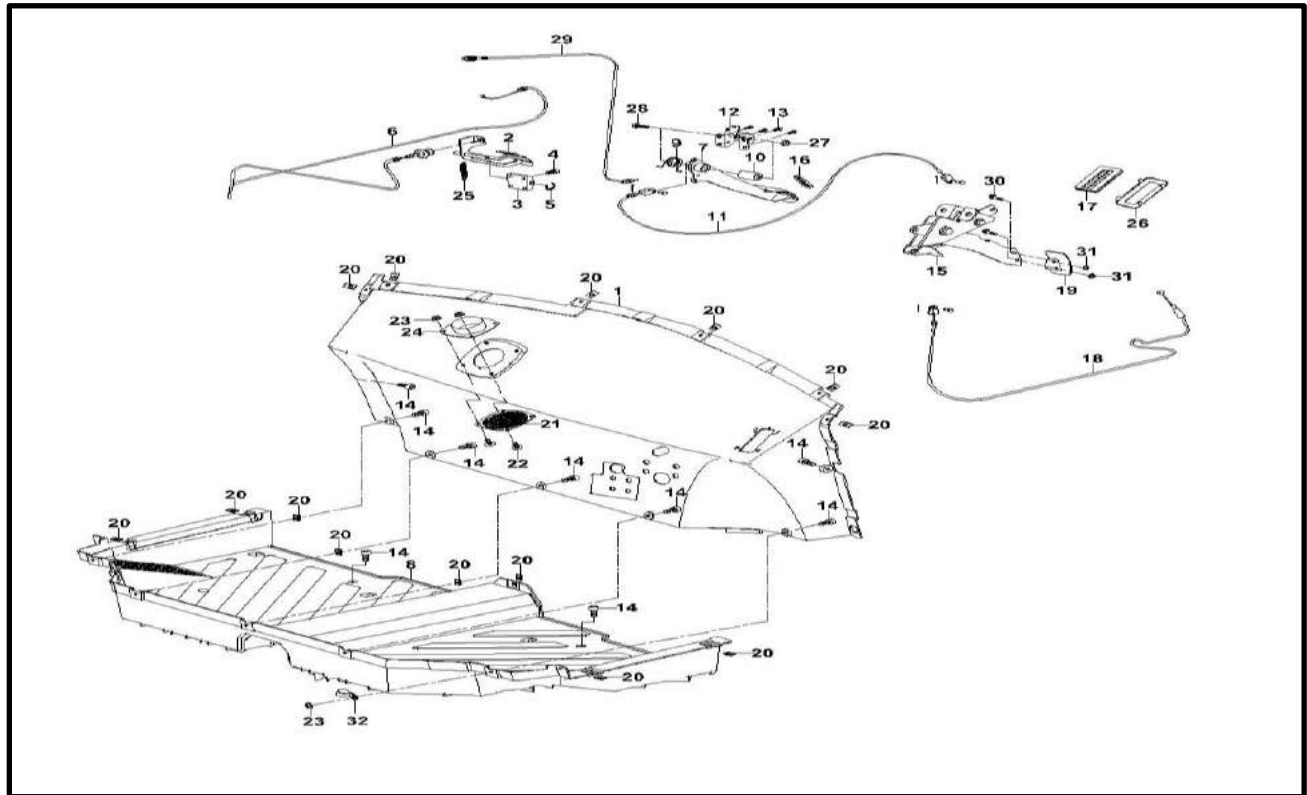
1	PJ00000411220500	Front Rim
2	PJ00000411213600	Front Tire
	PJ00000411211200	Front Tire
3	P1150004113A0000	Valve Core
4	PJ00000903450000	Nut M10
5	PJ00000410050700	Trim Cover H Hub
6	PJ00000261000900	Front Left Half Shaft K
7	PJ00000262000800	Front Right Half Shaft J
8	P117000461100000	Mounting Bracket Assy, Front Hub
9	PJ00000905200400	Cross Plate Head Tapping Screw M6×12
10	P315001515610000	Protective Cover , Front Brake Disc
11	BGB9459-M24×1.5-C	Hexagon Slotted Nut M24×1.5
12	BGB893.1-d0=60	Circlip D0=60
13	P115000904010000	Inner Hexagon Cone Step Bolt M8
14	P117000444530000	Front Disc Brake Plate
15	P115000911190000	Outer Oil Seal, Front Knuckle Φ38×Φ55×7
16	BGB276-6206RS	Deep Groove Ball Bearing 6206Rs
17	P311001911230000	Inner Oil Seal Front knuckle Φ38×Φ60×7
18	P115N00527100000	Front Left Knuckle Assy
19	P115N00527200000	Front Right Knuckle Assy
20	PJ00000260020100	Boot Sheath B
21	PJ00000260020200	Boot Sheath C
22	PJ00000907200300	Hoop D
23	PJ00000907200100	Hoop B
24	BGB91-3.2×50	Cotter Pin 3.2×50

Rear Axle



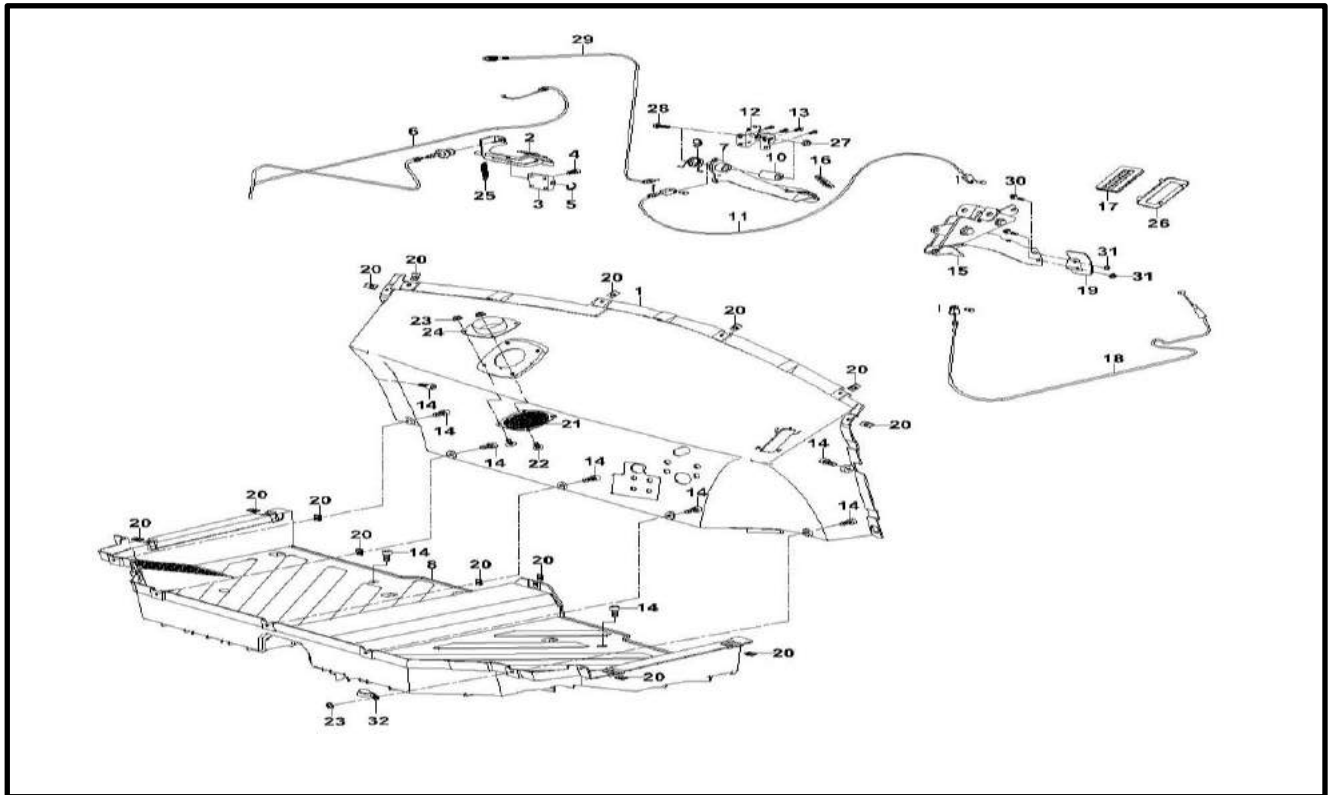
1	PJ00000411620500	Rear Hub
2	PJ00000411613600	Rear Tire
	PJ00000411611200	Rear Tire
3	P1150004113A0000	Valve Core
4	P115000462100000	Mounting Bracket Rear Hub
5	PJ00000902200000	Inner Hexagon Cone Step Bolt M8
6	PJ00000903450000	Nut M10
7	PJ00000263002200	Rear Right Half Shaft Y
8	PJ00000264000900	Rear Right Half Shaft K
9	PJ00000410050600	Trim Cover G Hub
10	P115000557020000	Axle Sleeve Liner
11	BGB6187-M10×1.25	Hexagon Flange Locked Nut M10×1.25
12	P117000444550000	Rear Right Brake Pad
13	P117000444540000	Rear Left Brake Pad
14	P115000911200000	Inner Oil Seal Φ38×Φ62×8,Knuckle
15	BGB276-6206RS	Deep Groove Ball Bearing 6206Rs
16	P115000911210000	Outside Oil Seal Φ42×Φ62×7, Rear Knuckle
17	P115000557040000	Inside Spacer Bush Rear Knuckle Bearing
18	P115000557100000	Rear Knuckle Assy (L)
19	PJ00000260020400	Boot Sheath E
20	PJ00000260020200	Boot Sheath C
21	P115000557200000	Rear Knuckle Assy (R)
22	PJ00000907200300	Hoop D
23	PJ00000907200100	Hoop B
24	BGB9459-M24×1.5-C	Hexagon Slotted Nut M24×1.5
25	BGB91-3.2×50	Cotter Pin 3.2×50
26	P115000521070000	Nozzle Knuckle
27	BGB16674-M12×1.25×110	Hexagon Flange Bolt 12×1.25×110
28	P115000557010000	Dust P. Cover

Foot Rest



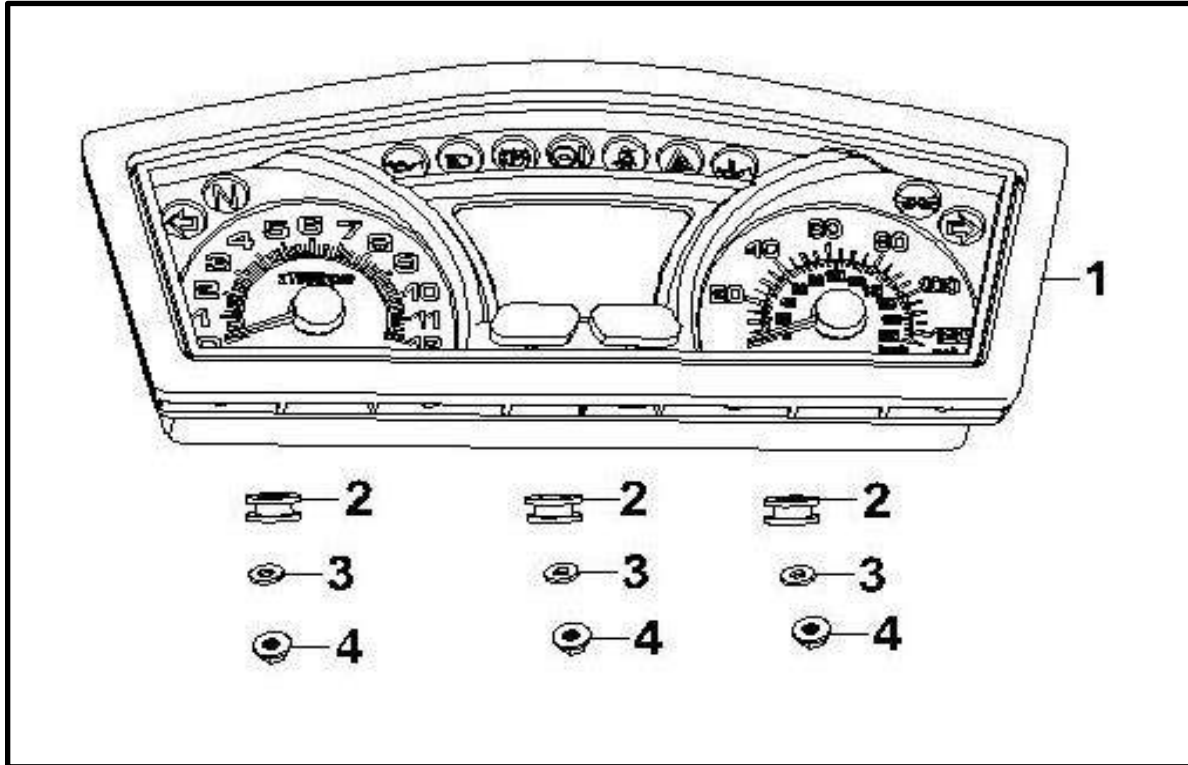
1	P309001824010000	Front Fender
2	P312001610600000	Accelerator Pedal
3	P112000610700000	Mounting Plate Accelerator Pedal
4	BGB70.1-M6×20	Hexagon Socket Cap Screw M6×20
5	BGB896-5	Washer 5
6	PJ000006103A0701	Accelerator Cable H
7	P3090014311A0000	Brake Pedal
8	P309001824210000	Footrest
9	PJ00000933000900	Torsional Spring J
10	PJ00000929002700	Cylindrical Lining Φ10.2×Φ15×35.5
11	PJ000004325A0001	Parking Deblocking Cable A
12	P309001515080000	Brake Pedal Mounting Seat
13	BGB16674-M8×25	Hexagon Flange Bolt M8×25
14	PJ00000902250100	Socket Hexagon Screw M6×16
15	P309001433100000	Footrest Park
16	PJ00000932150500	Dust-Proof Pad F, Brake Pedal

Foot Rest



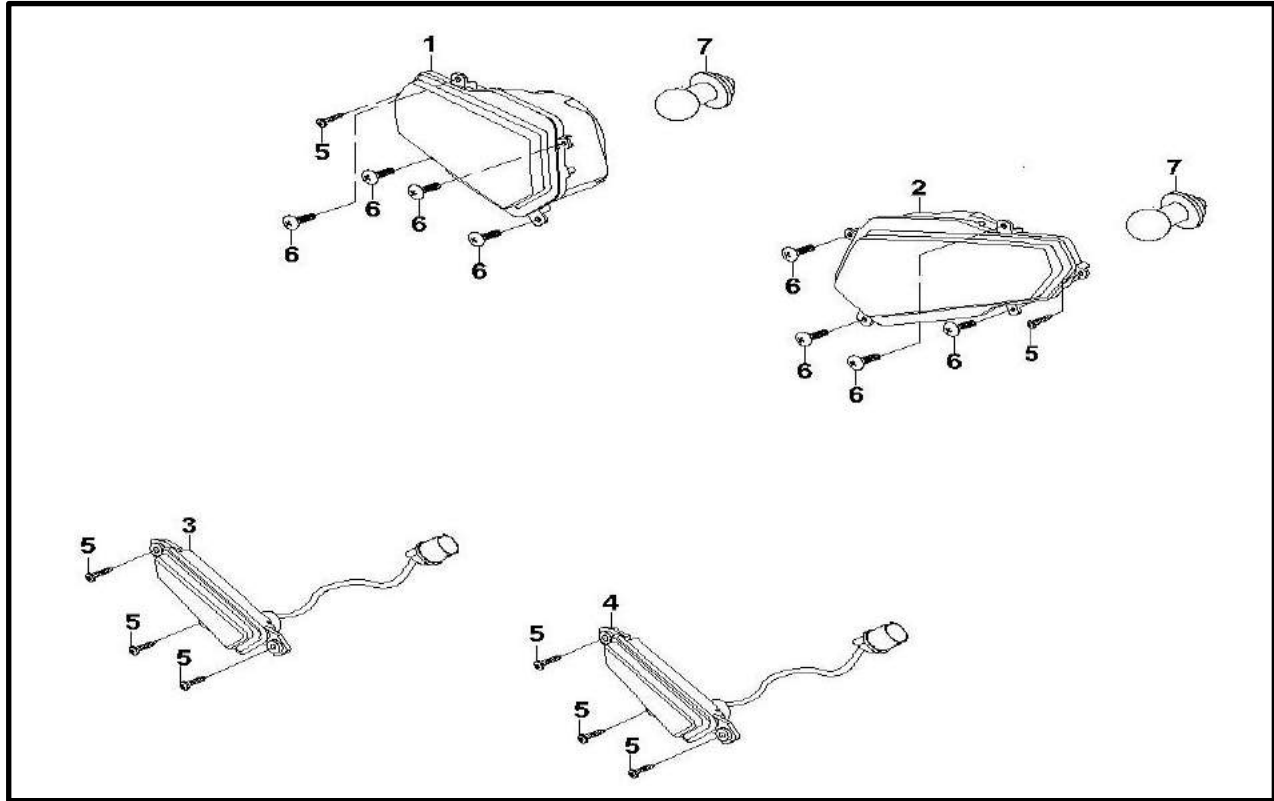
17	PJ00000932000300	Park Dust-Proof Pad D
18	PJ000004323A0101	Park Brake Cable B
19	P309001433200000	Park Footrest
20	PJ00000903500300	Nut Holder M6x2
21	P311001824140000	Primary Filter Net
22	PJ00000905200500	Cross Large Plate Head Screw M6x16
23	BGB6177.1-M6	Hexagon Flange Nut M6
24	P312001824220000	End Cover Intake Tube Of Air Box
25	PJ00000963000200	Torsional Spring B
26	P309001515280000	Parking Decorative Cover
27	BGB6187-M10x1.25	Hexagon Flange Locked Nut M10x1.25
28	BGB16674-M10x1.25x55	Hexagon Flange Bolt M10x1.25x55
29	PJ000006105A0500	Spacing Cable J Reverse F
30	BGB16674-M6x16	Hexagon Flange Bolt M6x16
31	BGB6177.1-M6	Hexagon Flange Nut M6
32	P115000444590000	Clip I Oil Pipe

Meter



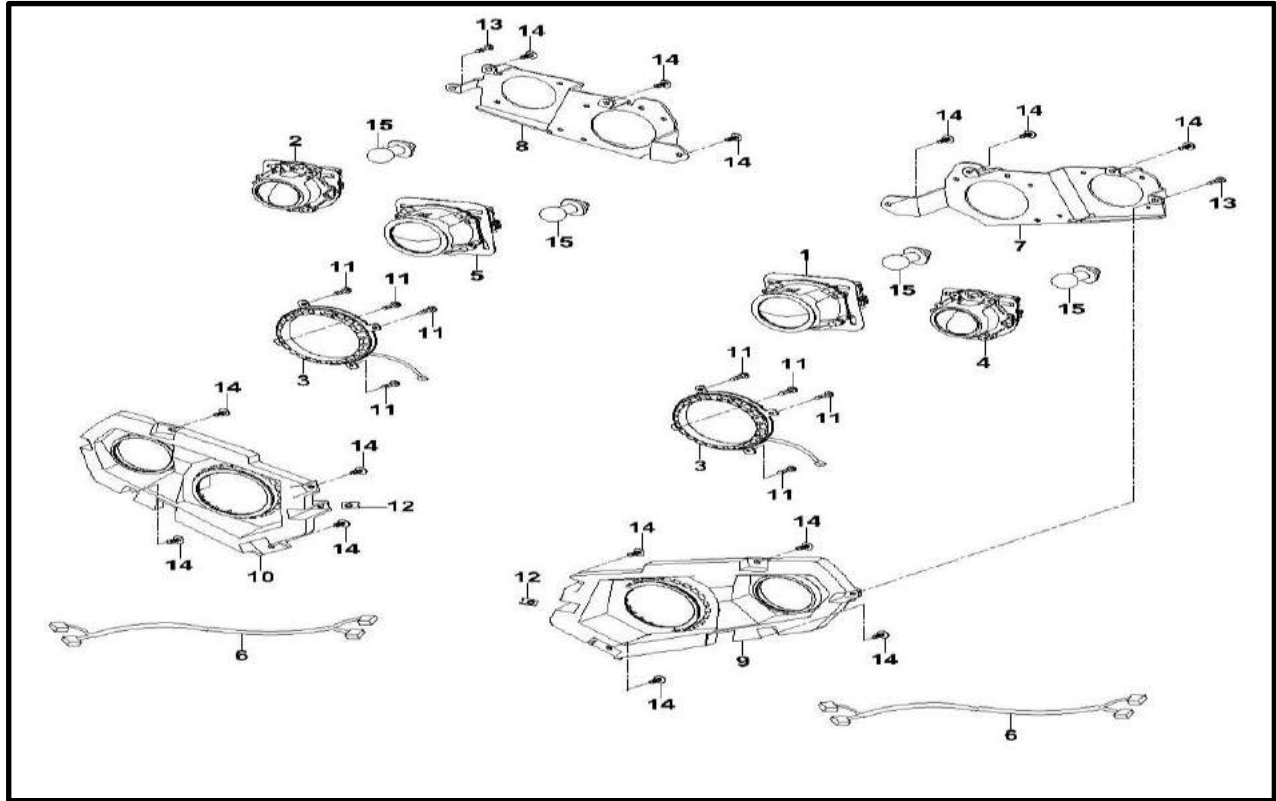
1	P309001361000000	Meter Assy
2	PJ00000931250400	Cylindrical Cushion Pad $\Phi 10 \times 4$
3	BGB96.1-6	Plain Washer 6
4	BGB6177.1-M6	Hexagon Flange Nut M6

Front Head Light



1	P312002351300000	Front Right Headlight
2	P312002351100000	Front Headlight Assy (L)
3	P311001354250000	Front Right Turning Light
4	P311001354000000	Front Left Turning Light
5	BGB845-ST3.9×13	Cross Large Plate Head Screw St3.9×13
6	PJ00000905200400	Cross Plate Head Tapping Screw M6×12
7	PJ00000384110000	Headlight Bulb Hs1;12V;35W/35W

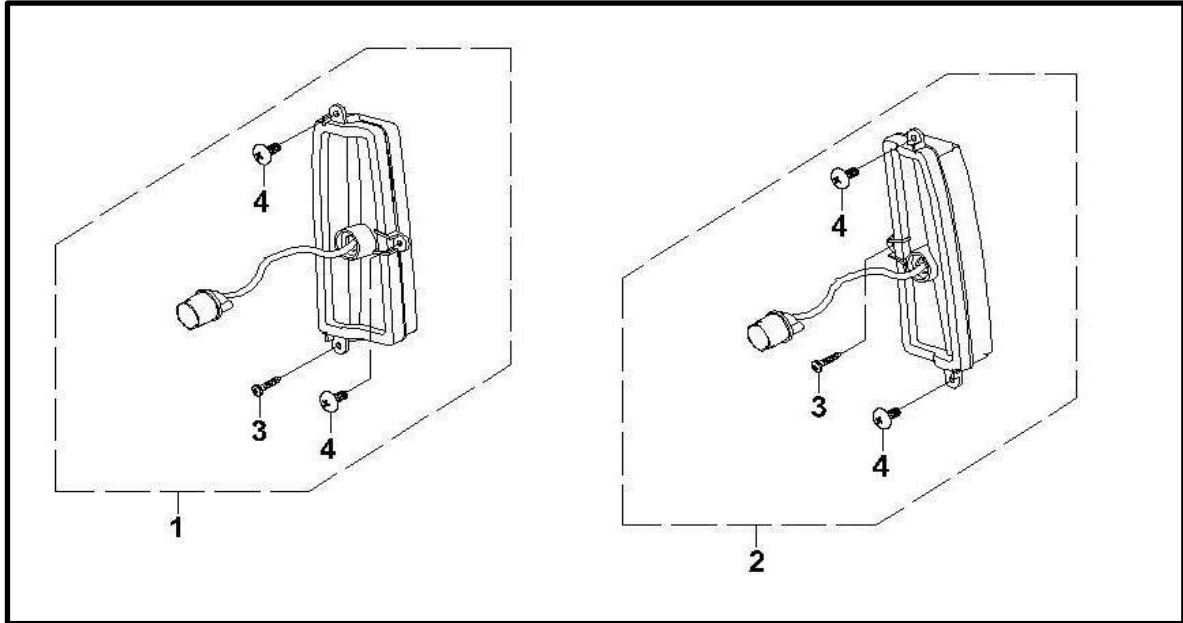
Front Head Light



1	P311001352100000	Left Dipped Headlight
2	P311001352300000	Right Distance Headlight
3	P311001355000000	Front Position Light
4	P311001351600000	Left Distance Headlight
5	P311001351800000	Right Dipped Headlight
6	P311001343500000	Pilot Wire Spot Light
7	P312001515520000	Mounting Plate Left Spotlight
8	P312001515530000	Mounting Plate Right Spotlight
9	P312001822020000	Mounting Plate Left Light
	P309001822020000	Mounting Plate Left Light
10	P312001822030000	Mounting Plate Right Light
	P309001822030000	Mounting Plate Right Light
11	BGB845-ST3.6×10	Cross Recessed Pan Head Tapping Screw St3.6×10
12	PJ00000903500300	Nut Holder M6×2
13	PJ00000903470100	Cross Recessed Plate Head Self-Tapping Screw St4.2×16
14	PJ00000905200500	Cross Large Plate Head Screw M6×16
15	PJ00000384140000	Headlight Bulb H11;12V;55W

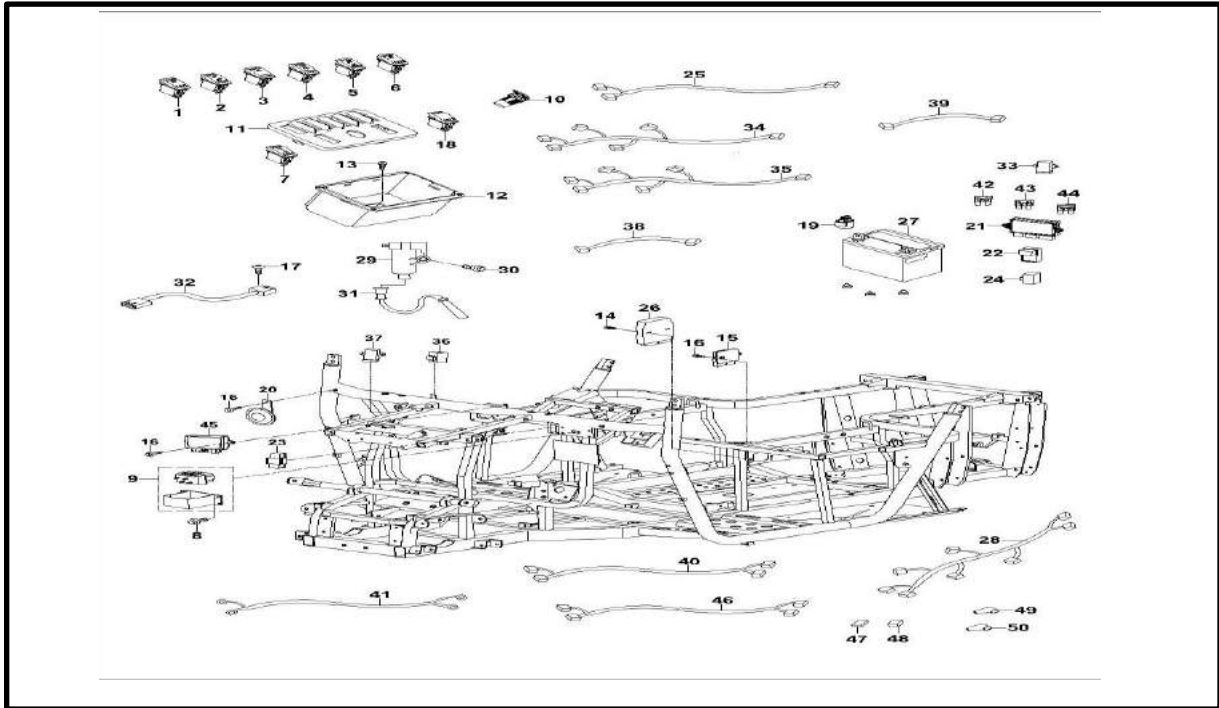
View Catalogs Online at www.universalhardware.bz/Hisun

Rear Headlight



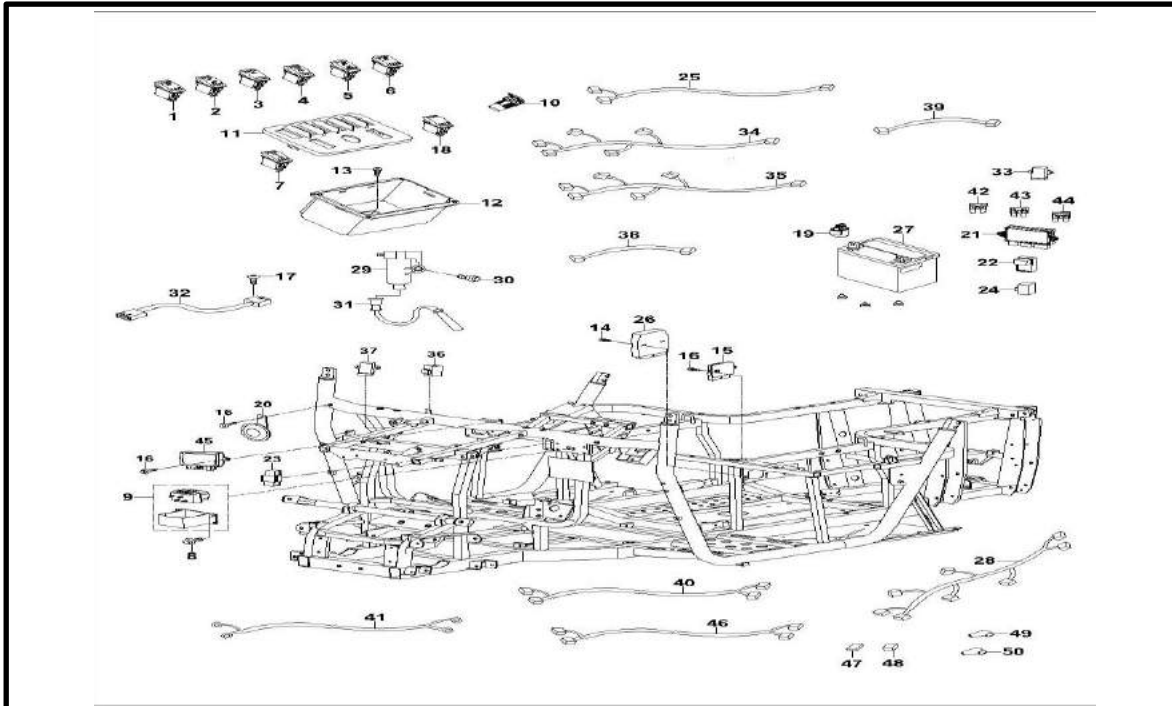
1	P312001353750000	Rear Right Position Lamp Assy
2	P312001353500000	Rear Left Position Lamp Assy
3	BGB845-ST3.9×13	Cross Recessed Pan Head Tapping Screw St3.9×13
4	PJ00000905200400	Cross Plate Head Tapping Screw M6×12

Electrical



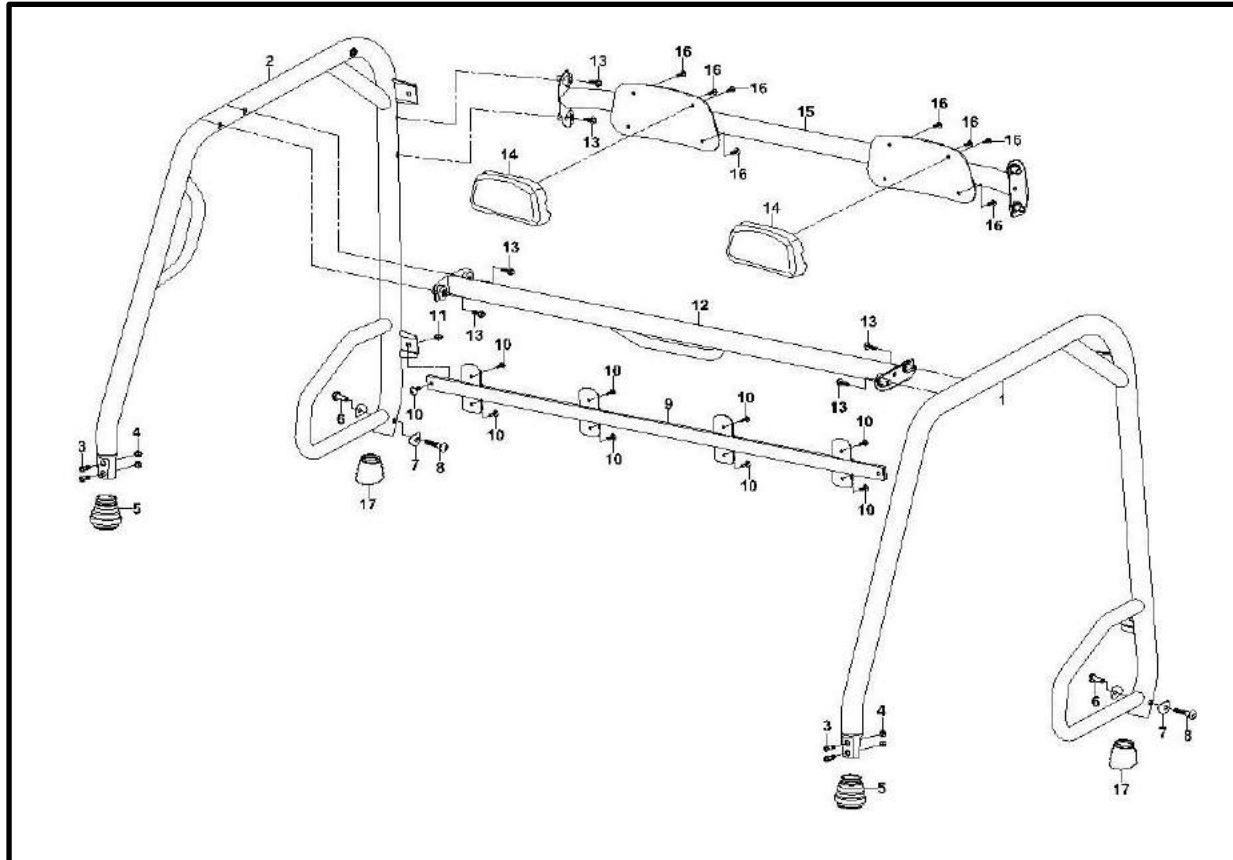
1	P311001371200000	Light Switch
2	P311001371250000	High/Low Light Switch
3	P311001371400000	2Wd/4Wd Switch
4	P311001371450000	Front Differential Switch
5	P311001371300000	Emergency Light Switch
6	P311001371550000	Control Switch Winch
7	P311001371350000	Turning Light Switch
8	BGB16674-M6×16	Turning Light Switch
9	P115000377400000	Winch Relay
10	P115000371750000	Dc Socket
11	P311001823040000	Control Panel Switch
12	P312001823120000	Control Box Switch
13	BGB818-M5×25	Cross Plate Head Tapping Screw M5×25
14	BGB16674-M6×20	Hexagon Flange Bolt M6×20
15	PJ00000392000000	Ecu Controller
16	BGB16674-M6×20	Hexagon Flange Bolt M6×20
17	BGB818-M3×12-C	Cross Plate Head Tapping Screw M3×12
18	P311001823110000	Trim Cover Front Panel
19	P311001377050000	Starting Relay
20	P1150003461A0000	Horn
21	P312001377300000	Relay Assy
22	P311001377350000	Main Relay Assy
23	P311001379200000	Fan Controller
24	P311001346200000	Flasher
25	P312001344000000	Battery Cable Winch

Electrical



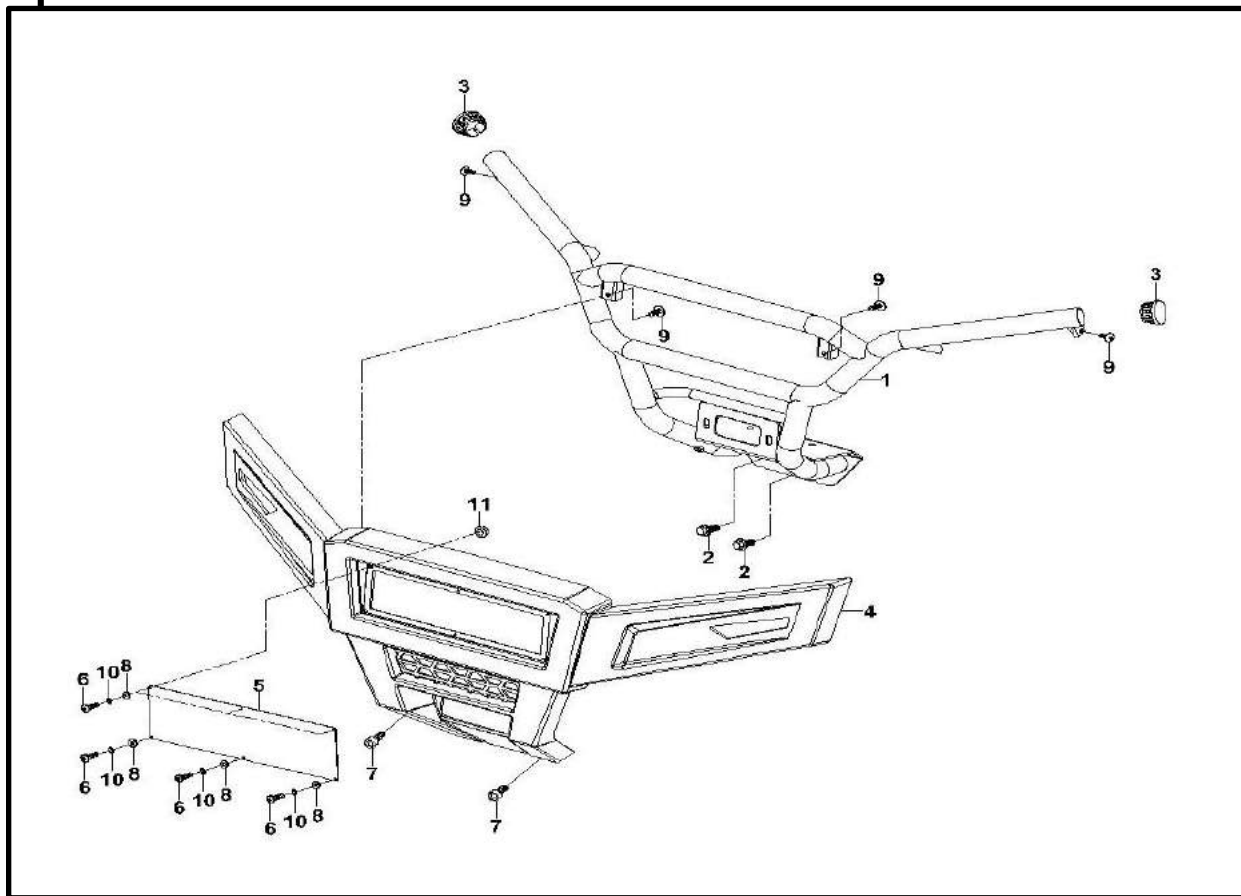
26	P311001321000000	Voltage Regulator
27	P115000322000000	Battery
28	P309001341000000	Leader Cable
29	P116000331000000	Ignition Coil
30	BGB16674-M6x40	Hexagon Flange Bolt M6x40
31	P115H00331010000	Connecting Cable Ignition Coil
32	P311001373100002	Microswitch
33	P309001379450000	Speed Governor (Usa)
34	P312001343600000	Pilot Wire 1, Panel Switch
35	P312001343700000	Pilot Wire 2, Panel Switch
36	P311001346300000	Buzzer
37	P312001379250000	Control Relay, 2Wd/4Wd
38	P309001343400000	Rectifier Output Wire
39	P311001343200000	Negative Cable, Battery
40	P309001342000000	EFI Cable
41	P312001343800000	Winch Motor Cable
42	PJ00000383110000	Fuse 5A
43	PJ00000383120000	Fuse 10A
44	PJ00000383130000	Fuse 15A
45	P309001623500000	EPS Controller
46	P313001343300000	EPS Cable
47	PJ00000935050100	Socket Rubber Plug B
48	PJ00000935050000	Socket Rubber Plug A
49	P115000899130000	Insulator Plug (Positive Pole)
50	P115000899140000	Insulator Plug (Negative Pole)

Shed Support



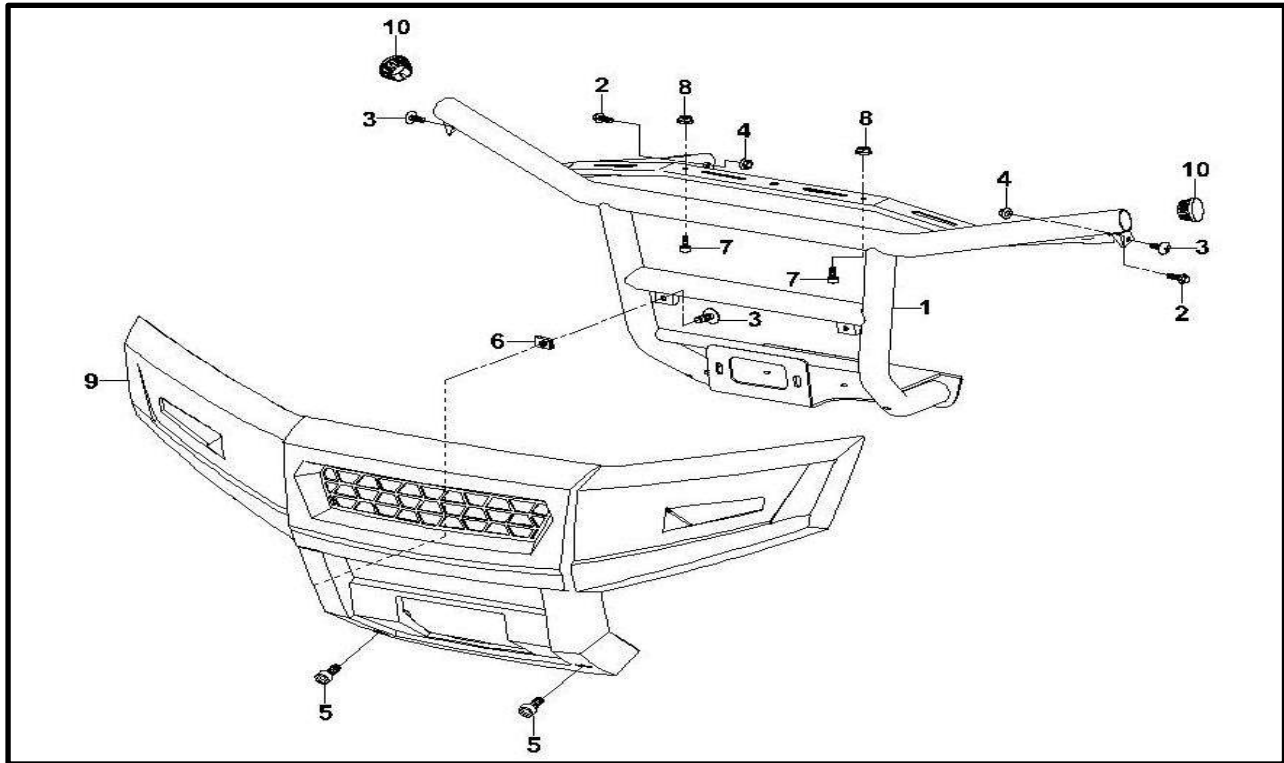
1	P309001517100000	Roof Rod I
2	P309001517200000	Roof Rod II
3	BGB70.1-M10×1.25×45	Socket Hexagon Head Screw M10×1.25×45
4	BGB6187-M10×1.25	Hexagon Flange Locked Nut M10×1.25
5	PJ00000932200200	Joint Sheath C Roof Rod
6	PJ00000929750000	Hexagon Nut M8×25
7	P115000515860000	Curve Pad
8	PJ00000902050200	Inner Hexagon Cone Step Bolt M8×38
9	P309001517500000	Roof Rod V
10	PJ00000905200600	Cross Large Plate Head Screw M6×20
11	PJ00000903460000	Cap Nut M6×14
12	P309001517300000	Roof Rod Iii
13	BGB16674-M10×1.25×16	Hexagon Flange Bolt M10×1.25×16
14	P117000713100000	Head Rest
15	P309001517400000	Roof Rod Iv
16	PJ00000905200600	Cross Large Plate Head Screw M6×20
17	PJ00000932200500	Joint Sheath F Roof Rod

Bumper



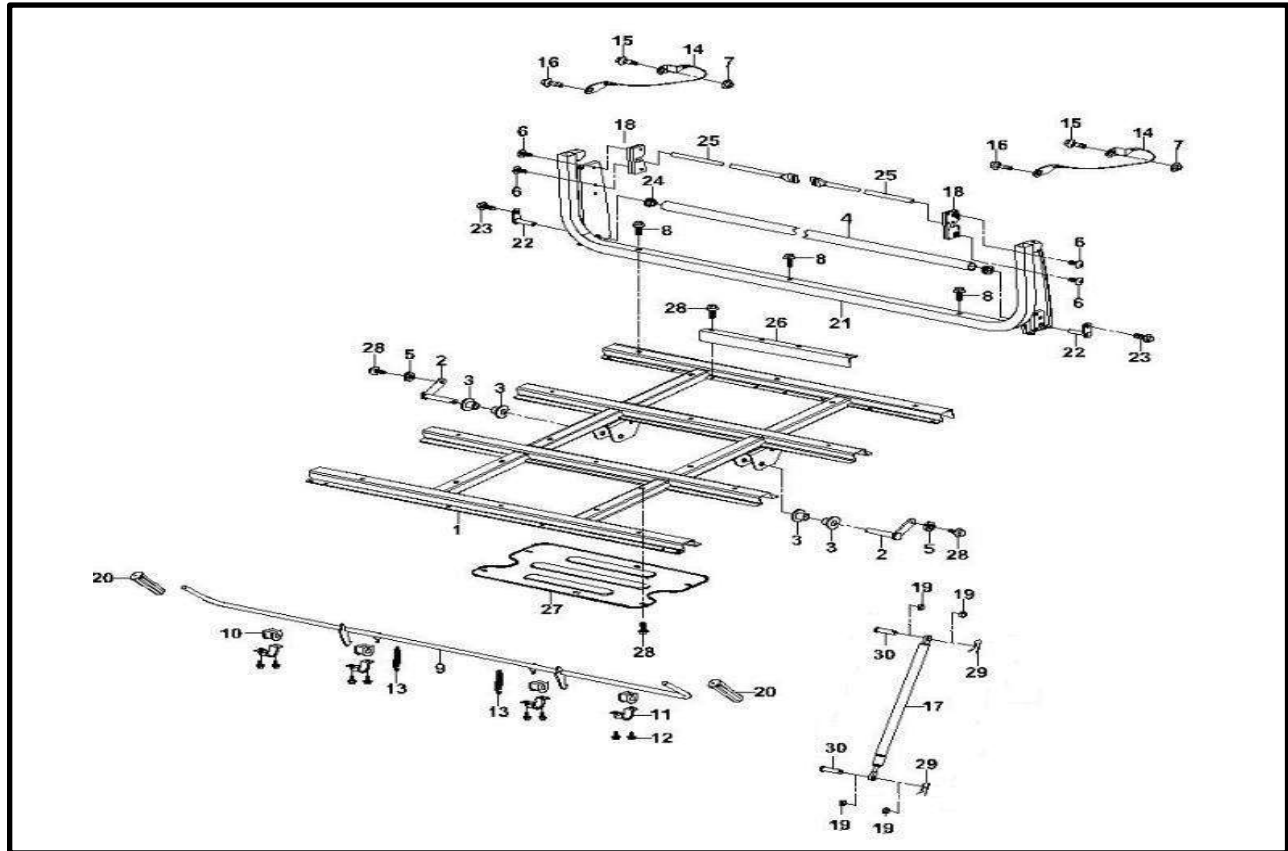
1	P309001513040000	Front Bumper
2	BGB16674-M10×1.25×20	Hexagon Flange Bolt M10×1.25×20
3	PJ00000924400500	Plastic Plug Φ38
4	P309001821010000	Protection Cover Of Front Bumper
5	P312001515290000	Hs Mark
	P312001515290100	Massimo Logo
	P312001515290200	Bench Logo
	P312001515290300	Black Logo
	P312001515290500	Coleman Logo
6	BGB823-M4×12	Cross Plate Head Tapping Screw M4×12
7	PJ00000902250100	Socket Hexagon Screw M6×16
8	BGB97.1-4	Plain Washer 4
9	PJ00000905200500	Cross Large Plate Head Screw M6×16
10	BGB93-4	Spring Washer 4
11	BGB889.1-M4	Hexagon Flange Lock nut M4

Bumper



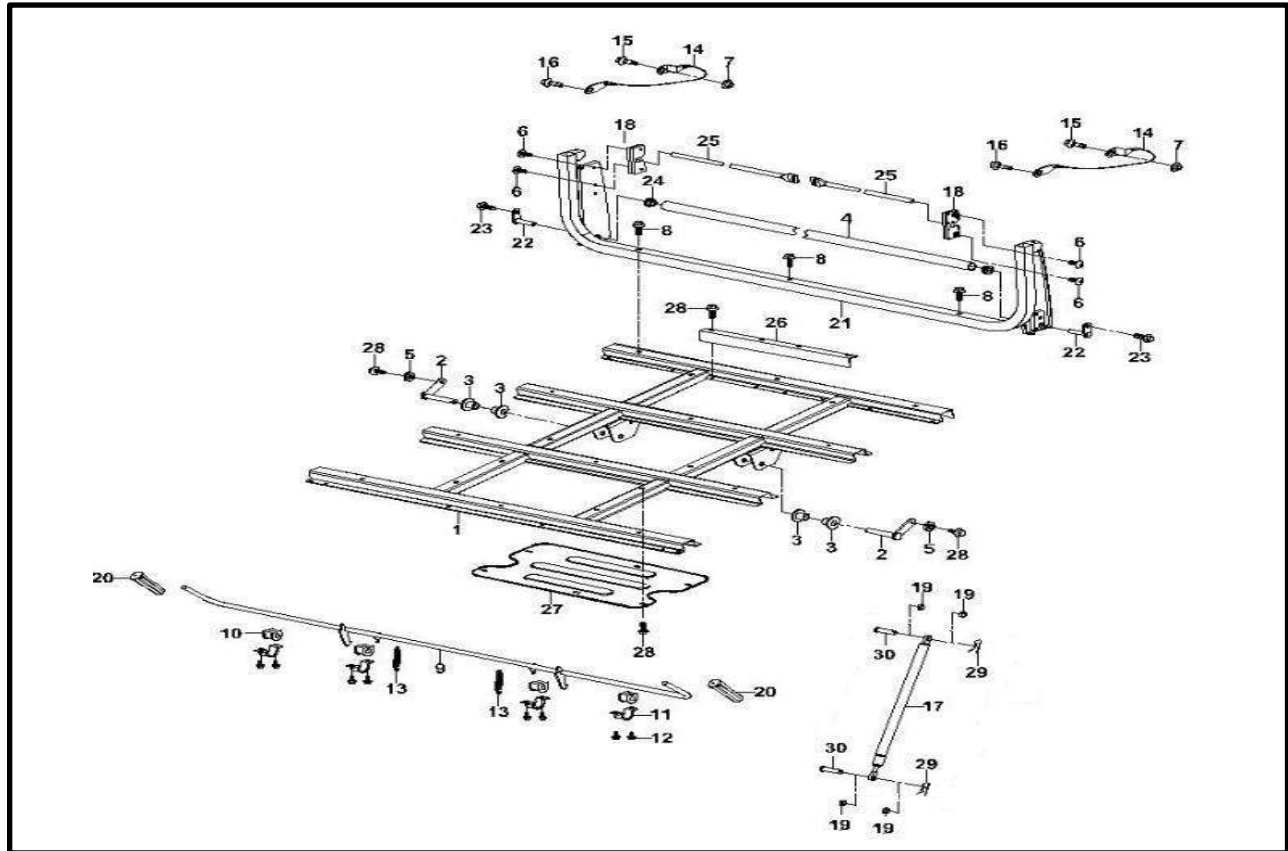
1	P306018513040000	Front Bumper
2	BGB16674-M10×1.25×20	Hexagon Flange Bolt M10×1.25×20
3	PJ00000905200500	Cross Large Plate Head Screw M6×16
4	BGB6187-M10×1.25	Hexagon Flange Locked Nut M10×1.25
5	PJ00000902250100	Socket Hexagon Screw M6×16
6	PJ00000903500300	Nut Holder M6×2
7	PJ00000902250100	Socket Hexagon Screw M6×16
8	BGB6183.2-M6	Hexagon Flange Locked Nut M6
9	P306018821010000	Protection Cover Of Front Bumper
10	PJ00000924400500	Plastic Plug Ø38

Cargo Bed



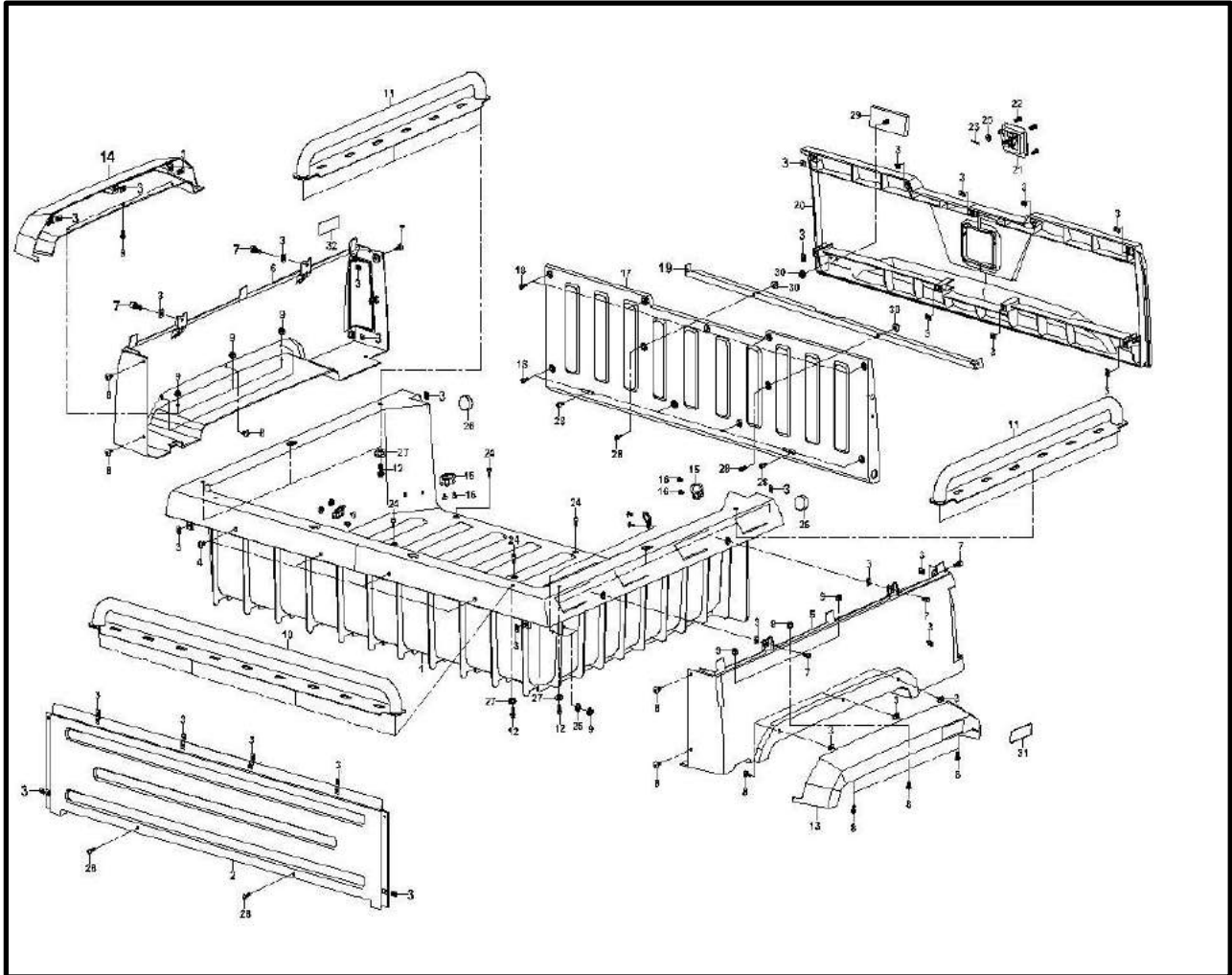
1	P30900151810000	Bed Baseplate
2	P312001515870000	Bed Spindle
3	PJ00000924500700	Plastic Turnup Liner $\Phi 12 \times \Phi 18$
4	P309001515880000	Rotating Liner Tube
5	BGB93-6	Spring Washer 6
6	PJ00000905200600	Cross Large Plate Head Screw M6x20
7	BGB6183.2-M6	Hexagon Flange Locked Nut M6
8	BGB16674-M6x20	Hexagon Flange Bolt M6x20
9	P309001515890000	Cargo Anti-Roll Lever
10	PJ00000931400000	Damping Sleeve $\Phi 14 \times 29$ Balance Bar
11	P112000515900000	Mounting Cap Cushion Rubber
12	BGB16674-M6x12	Hexagon Flange Bolt M6x12
13	PJ00000961000700	Tension Spring H
14	PJ000007292A0000	Cable B, Bed Door
15	PJ00000902180000	Bolt M6x12 Bed Cable

Cargo Bed



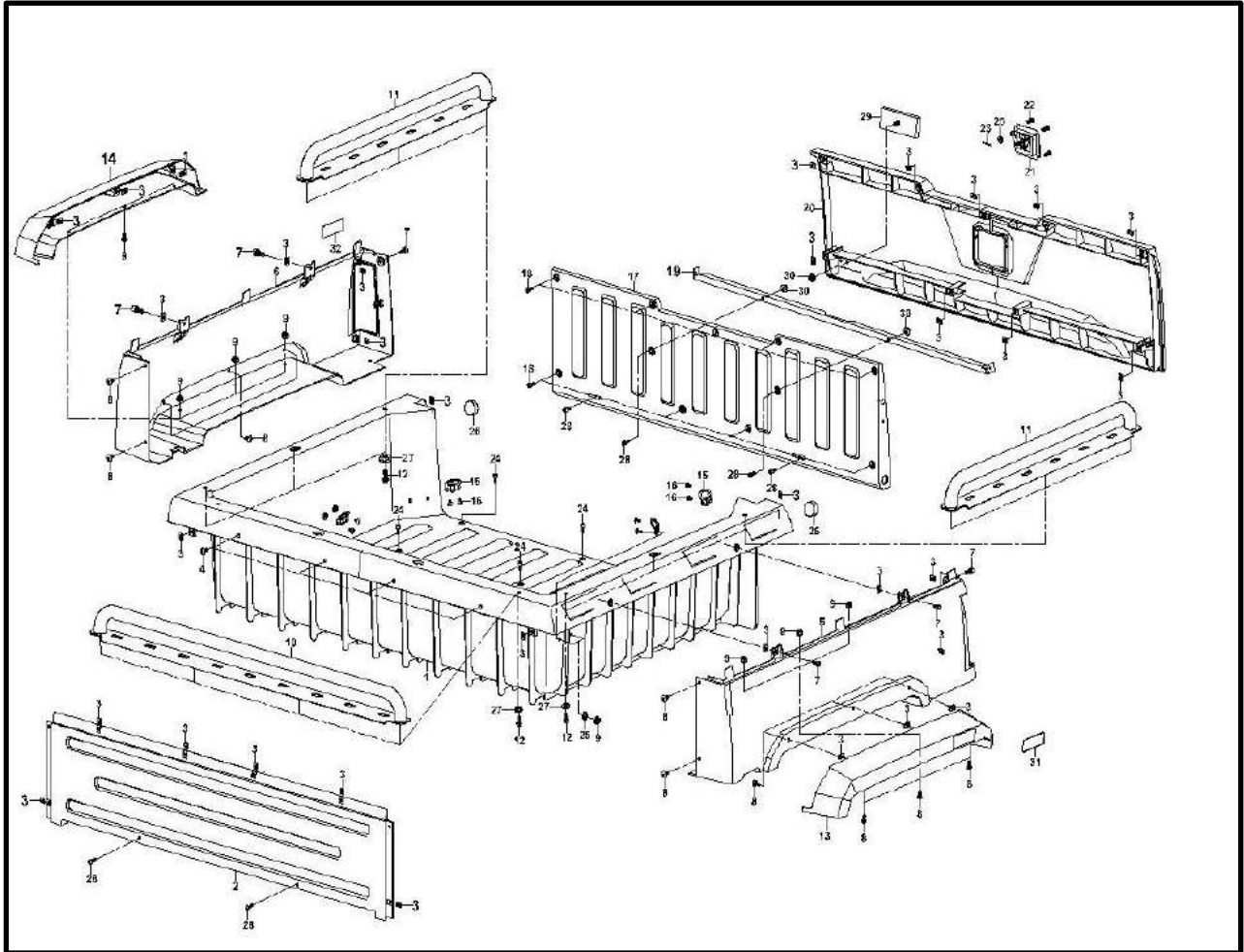
16	PJ00000902180100	Bolt M6×20, Bed Cable
17	P315001727000000	Gas Spring Assembly Cargo Bed
18	P117000895300000	Bed Door Locks
19	PJ00000931100300	Rubber Washer Φ13×10
20	PJ00000933050000	Handle Rubber Sleeve
21	P309001518200000	Bed Door
22	P117000515920000	Hinge Plate Bed
23	BGB16674-M8×12	Hexagon Flange Bolt M8×12
24	PJ00000924500200	Plastic Turnup Liner Φ10.5×Φ18
25	P309001895600000	lock pin, Cargo
26	P309001515930000	Insulation Plate Taillight Line
27	P309001515160000	Insulation Board, Muffler
28	BGB16674-M6×16	Hexagon Flange Bolt M6×16
29	PJ00000908050100	R Type Pin B
30	PJ00000929700500	Split Pin Φ12×47

Cargo Bed



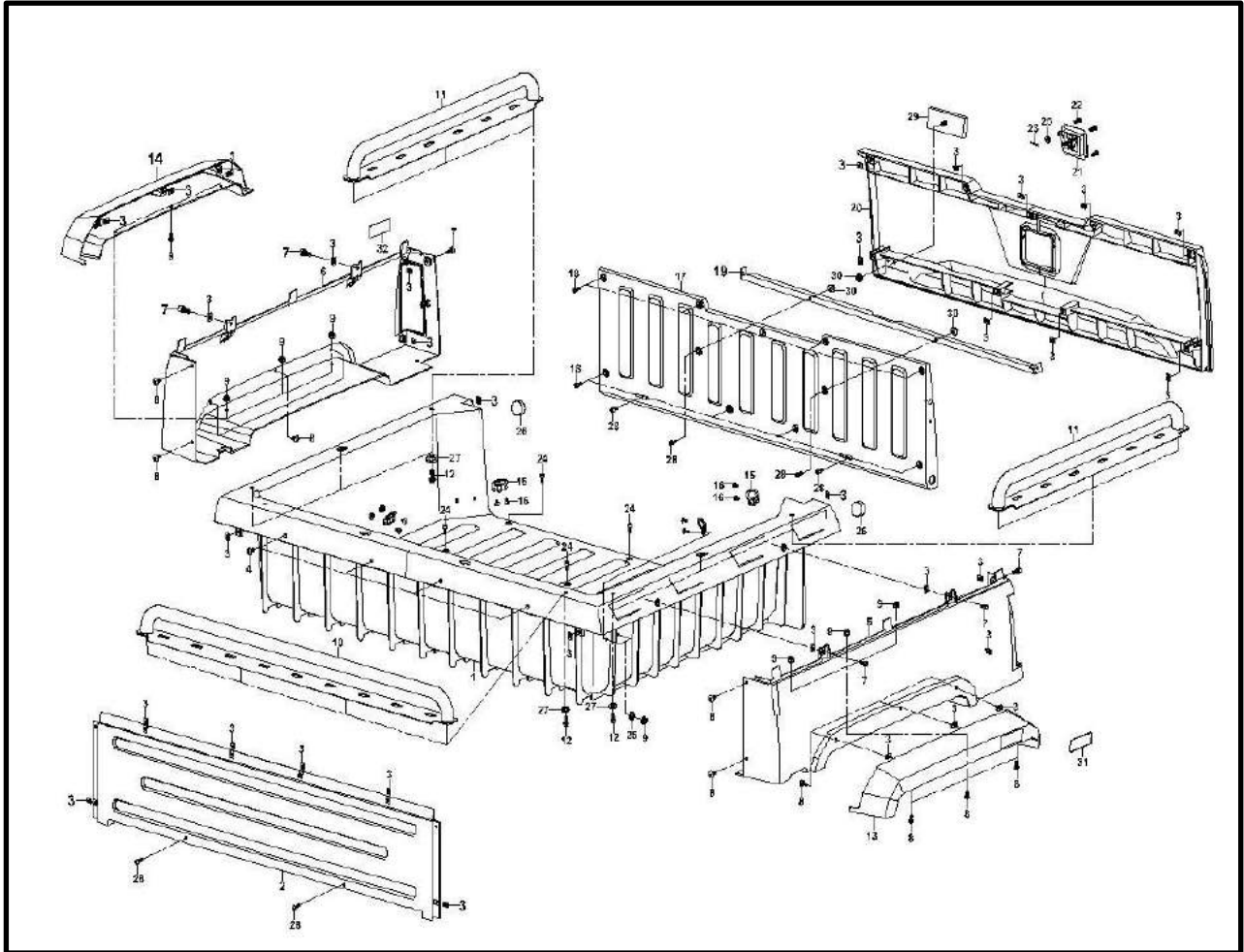
1	P30900182705000023	Plastic Bed
2	P309001827030000	Front Board Bed
3	PJ00000903500300	Nut Holder M6×2
4	PJ00000905200500	Cross Large Plate Head Screw M6×16
5	P30900182701000031	Left Board Of Bed (Dark Red (ERP NO.:31))
	P30900182701000032	Left Board Of Bed (Korea Red)
	P30900182701000033	Left Board Of Bed (Deep Red (ERP NO.:33))
	P30900182701000022	Left Board Of Bed (Black)
	P30900182701000070	Left Board Of Bed (Blue)
	P30900182701000093	Left Board Of Bed (Yellow Camo Vista)
	P30900182701000094	Left Board Of Bed (G2 Maple Camouflage)
	P30900182701000095	Left Board Of Bed (Walmart Yellow Camo)
	P30900182701000096	Left Board Of Bed (Massimo Yellow Camo)
	P30900182701000040	Left Board Of Bed (Orange)
	P30900182701000012	Left Board Of Bed (White)
	P30900182701000052	Left Board Of Bed (Massimo Yellow)
	P30900182701000091	Left Board Of Bed (Brushed Silver)
	P30900182701000092	Left Board Of Bed (Green Camouflage)
P30900182701000072	Left Board Of Bed (Bahama Blue)	

Cargo Bed



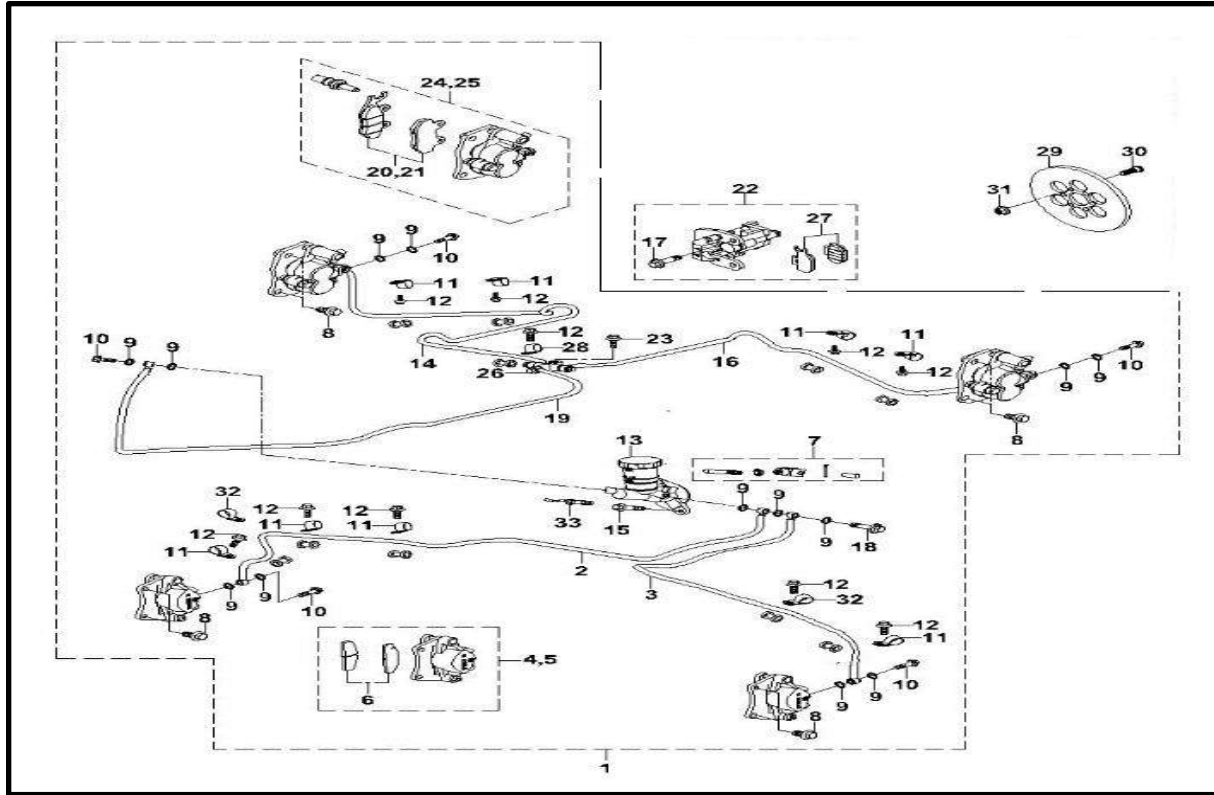
6	P30900182702000031	Right Board Of Bed (Dark Red (ERP NO.:31))
	P30900182702000032	Right Board Of Bed (Korea Red)
	P30900182702000033	Right Board Of Bed (Deep Red (ERP NO.:33))
	P30900182702000022	Right Board Of Bed (Black)
	P30900182702000070	Right Board Of Bed (Blue)
	P30900182702000093	Right Board Of Bed (Yellow Camo Vista)
	P30900182702000094	Right Board Of Bed (G2 Maple Camouflage)
	P30900182702000095	Right Board Of Bed (Walmart Yellow Camo)
	P30900182702000096	Right Board Of Bed (Massimo Yellow Camo)
	P30900182702000040	Right Board Of Bed (Orange)
	P30900182702000012	Right Board Of Bed (White)
	P30900182702000052	Right Board Of Bed (Massimo Yellow)
	P30900182702000091	Right Board Of Bed (Brushed Silver)
	P30900182702000092	Right Board Of Bed (Green Camouflage)
	P30900182702000072	Right Board Of Bed (Bahama Blue)
7	PJ00000902250400	Socket Hexagon Screw M6×20
8	PJ00000905200500	Cross Large Plate Head Screw M6×16
9	BGB6177.1-M6	Hexagon Flange Nut M6
10	P309001515480000	Front Fence Assy, Bed
11	P309001515490000	Side Fence Assy, Bed
12	BGB16674-M8×16	Hexagon Flange Bolt M8×16
13	P309001828050000	Rear Left Wheel Regula li
14	P309001828060000	Rear Right Wheel Regula li
15	P115000515300000	Strip Hook

Cargo Bed



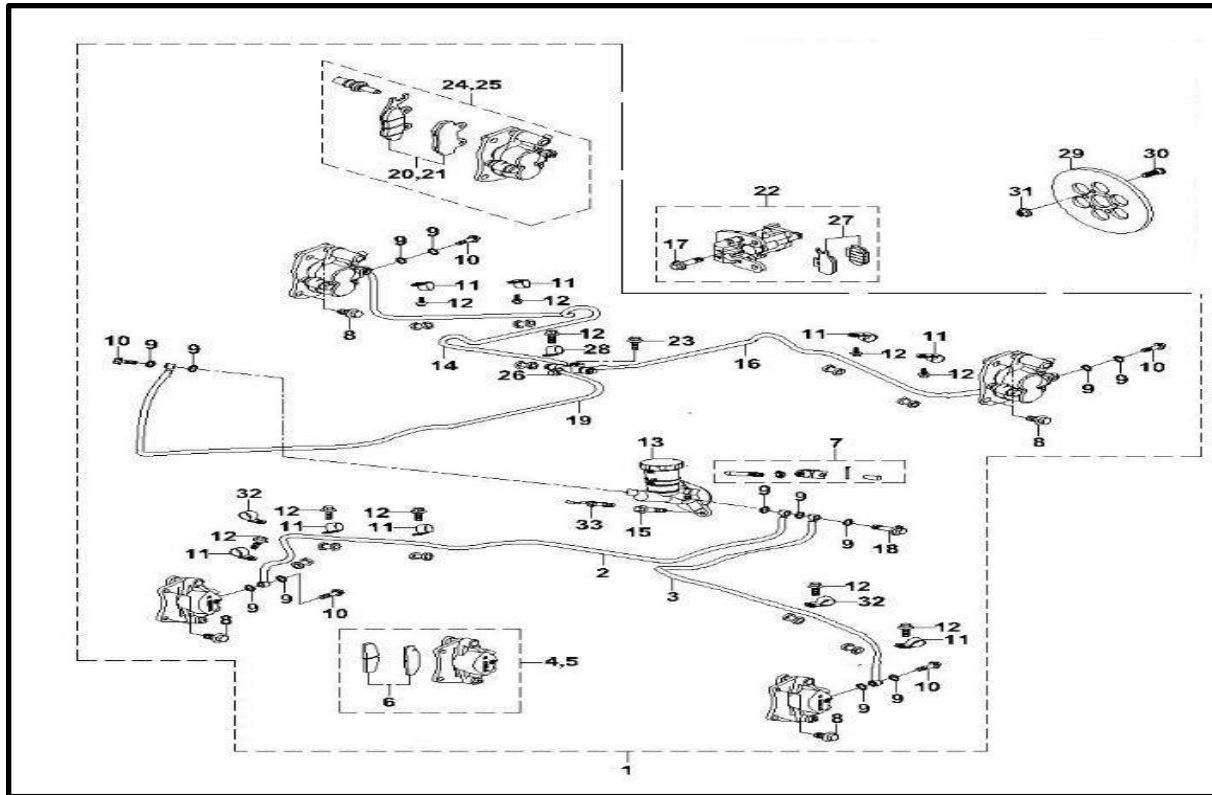
16	PJ00000905200500	Cross Large Plate Head Screw M6×16
17	P309001827090000	Inner Scale board Cargo Door
18	PJ00000902250100	Socket Hexagon Screw M6×16
19	P309001515500000	Support Plate Bed Door
20	P309001827040000	Bed Door Panel
21	P117000895500000	Door Switch Comb Cargo Bed
22	BGB845-ST4.2×13	Cross Recessed Pan Head Tapping Screw St4.2×13
23	BGB91-2×25	Split Pin 2×25
24	PJ00000902250400	Socket Hexagon Screw M6×20
25	BGB97.1-6	Plain Washer 6
26	PJ00000931150800	Rubber Cushion
27	PJ00000906050600	Washer 8.5×Φ28×1.5
28	PJ00000902250100	Socket Hexagon Screw M6×16
29	P102000348100000	Rear Reflector
30	BGB6177.1-M6	Hexagon Flange Nut M6
31	P309001093130000	Rear Left Reflector
32	P309001093140000	Rear Right Reflector

Brake



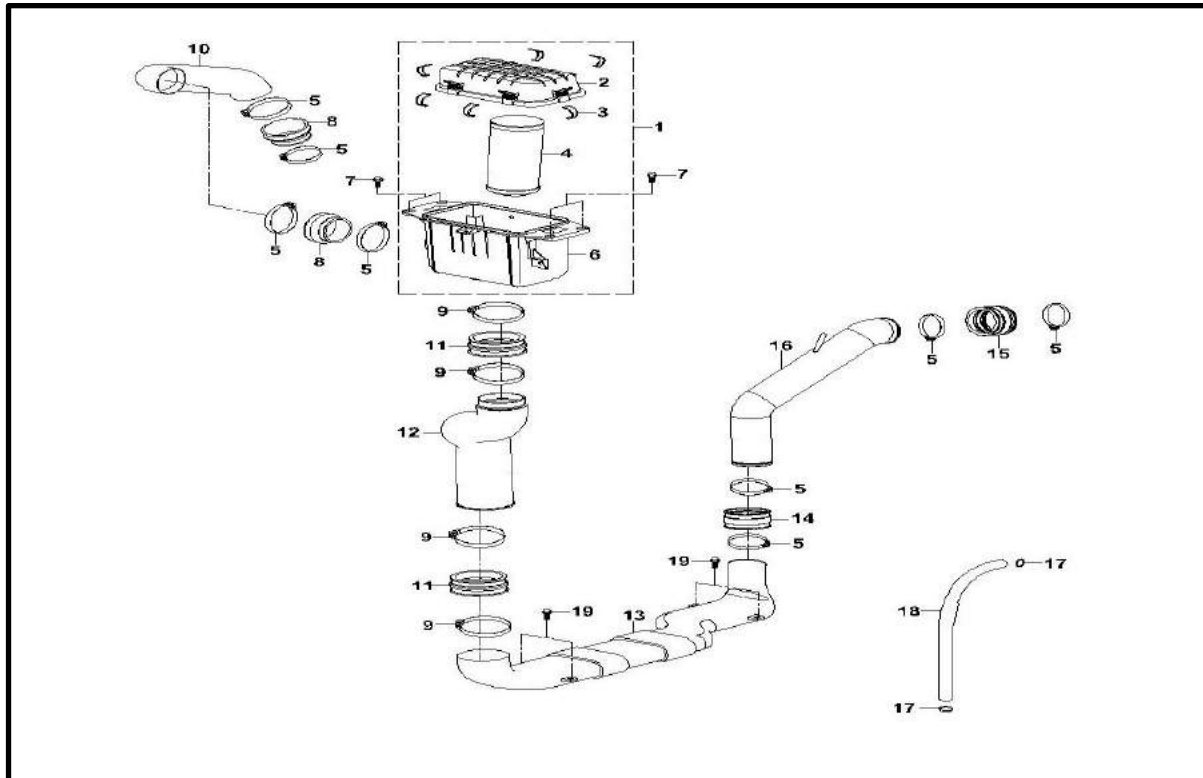
1	P309001441000000	Hydraulic Brake Subassembly I
2	P309001441400000	Front Right Hydraulic Oil Pipe
3	P309001441300000	Front Left Hydraulic Oil Pipe
4	P117000441200000	Front Brake Caliper Assy (R)
5	P117000441100000	Front Brake Caliper Assy (L)
6	P117000441120000	Front Brake Pad
7	P309001441040000	Roof Bar Disc Brake
8	BGB16674-M10×1.25×22	Hexagon Flange Bolt M10×1.25×22
9	P115000440020000	Gasket Oil Pipe
10	P115000440010000	Oil Pipe Bolt i
11	P115000444590000	Clip Oil Pipe
12	BGB16674-M6×16	Hexagon Flange Bolt M6×16
13	P311001441800000	Main Brake Pump
14	P309001442500000	Rear Oil Pipe(R)
15	BGB16674-M10×1.25×25	Hexagon Flange Bolt M10×1.25×25
16	P309001442400000	Rear Oil Pipe(L)

Brake



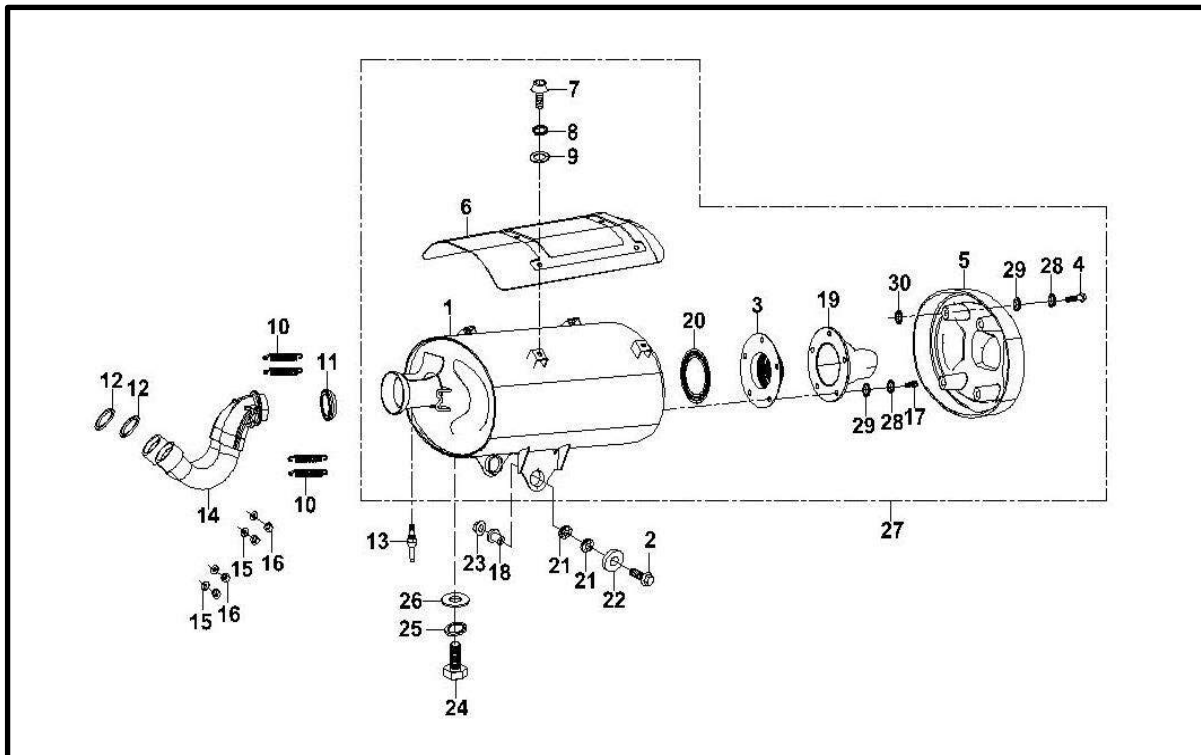
17	BGB16674-M10×1.25×55	Hexagon Flange Bolt M10×1.25×55
18	P115000440130000	Oil Pipe Bolt li Hydraulic Pressure
19	P309001442300000	Middle Oil Pipe
20	P115000441110000	Front Left Brake Pad
21	P115000441210000	Front Right Brake Pad
22	P115000443100000	Parking Brake Assy
23	BGB16674-M6×30	Hexagon Flange Bolt M6×30
24	P115000442200000	Rear Brake Caliper Assy (R)
25	P115000442100000	Rear Brake Caliper Assy (L)
26	P115000440080000	Tee Joint Oil Pipe
27	P115000443110000	Park Brake Pad
28	P115000190230000	Water Pipe Clip
29	P115000444570000	Parking Disc Brake Plate
30	PJ00000902250200	Socket Hexagon Screw M6×28
31	BGB6187-M6	Hexagon Flange Locked Nut M6
32	P115000444590000	Clip Oil Pipe
33	P312001376200000	Rear Brake Light Switch

Air Filter



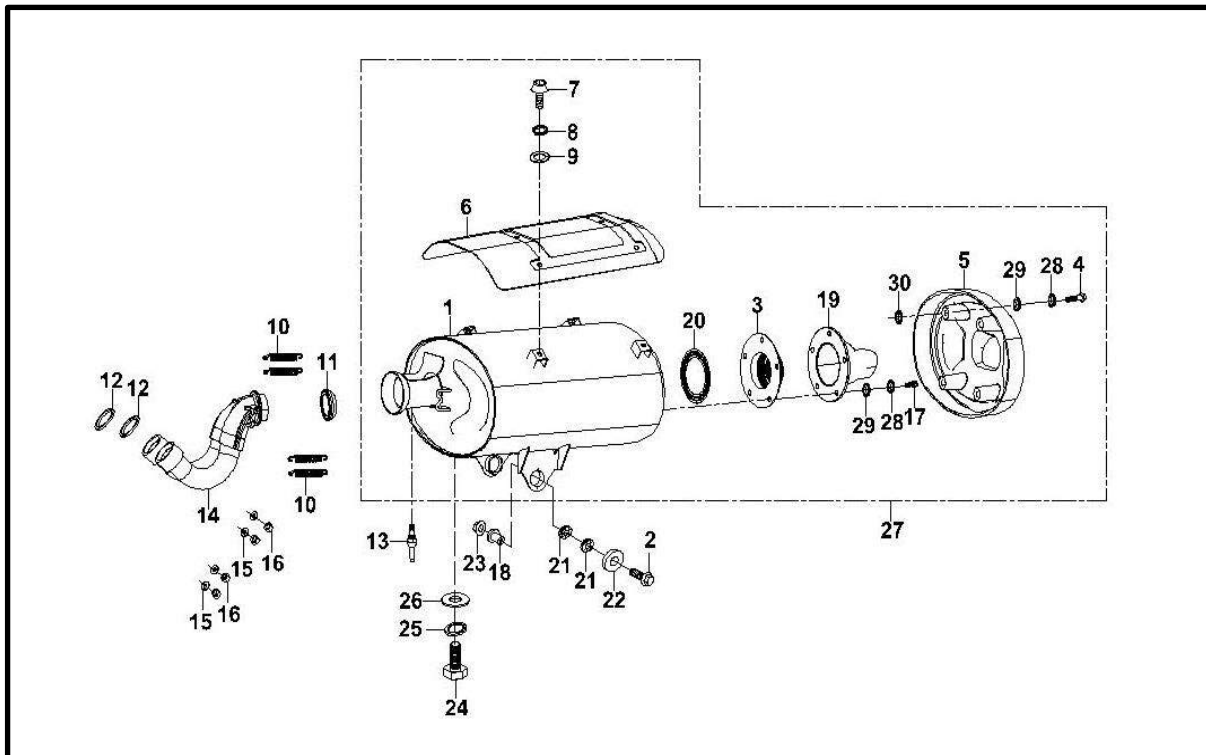
1	P312001172000000	Secondary Air Filter Assy
2	P312001172040000	Secondary Filter Cap
3	P312001172050000	Buckle
4	P3120011722A0000	Secondary Filter Element
5	PJ00000907301100	Screw Locking Hoop L
6	P312001172010000	Secondary Filter
7	PJ00000902100000	Hexagon Step Bolt With Pan M6×Φ10×4×12
8	P110000172130000	Adapter Sleeve I, Secondary Intake Pipe
9	PJ00000907301300	Screw Locking Hoop N
10	P309001172120100	Secondary Inlet Pipe i
11	P312001172210000	Connecting Bush I Clutch Air-Inlet Pipe
12	P309001172090000	Secondary Outlet Pipe i
13	P309001172250000	Secondary Air-Outlet Pipe Iii
14	P311001172110000	Adapter Sleeve Ii, Secondary Air-Outlet Pipe
15	P312001172280000	Adapter Sleeve I, Secondary Air-Outlet Pipe
16	P309001172100000	Secondary Air-Outlet Pipe Ii
17	PJ00000907100700	Elastic Hoop H
18	P309001188010000	Egr Tube I
19	BGB16674-M6×16	Hexagon Flange Bolt M6×16

Muffler



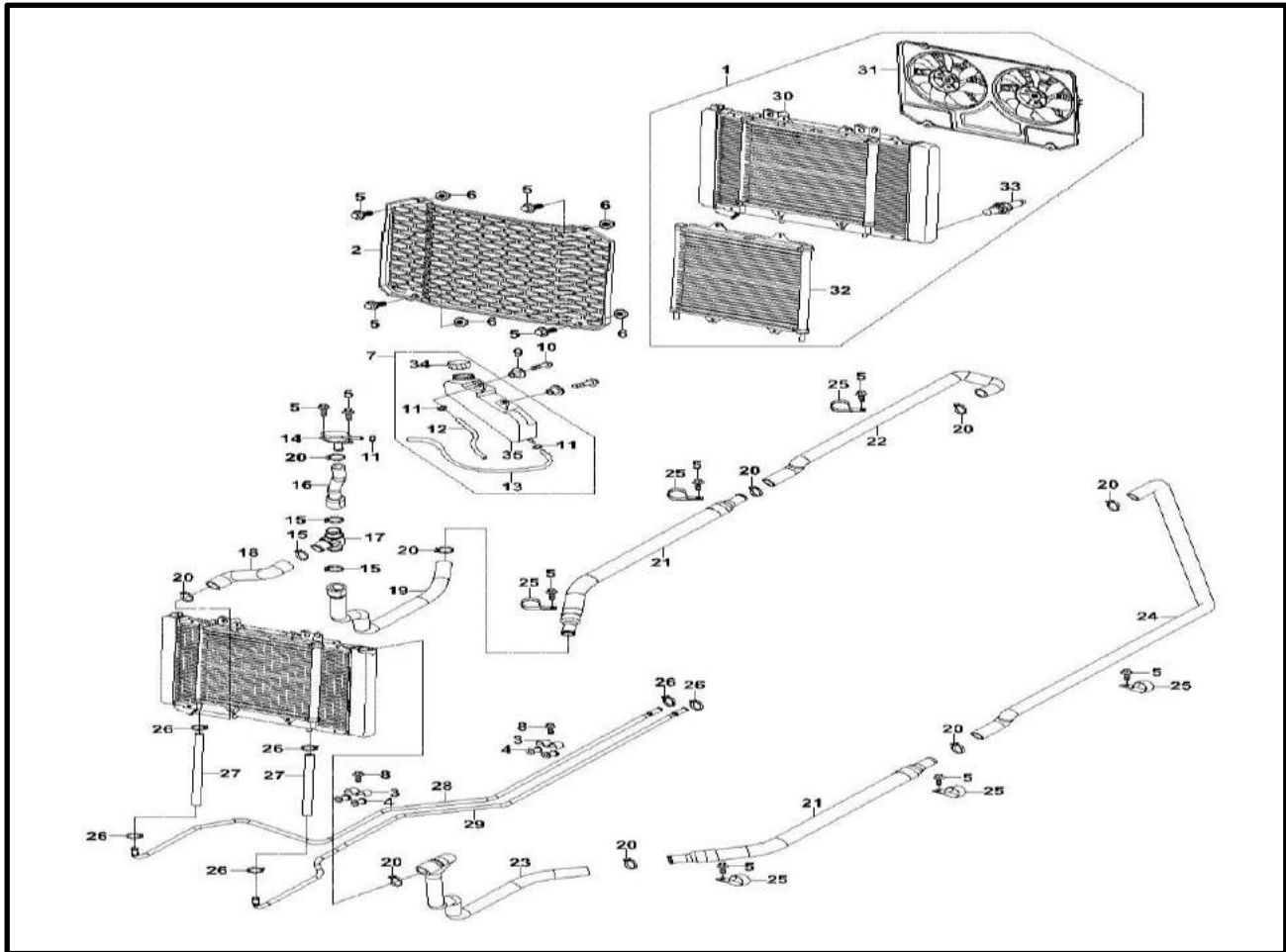
1	P3090011810A0000	Muffler Tube
	P3100011810A0000	Muffler Tube
2	BGB16674-M8×30	Hexagon Flange Bolt M8×30
3	P3110011830A0000	Flame Screen
4	BGB16674-M6×45	Hexagon Flange Bolt M6×45
5	P311001180040000	Tail Pipe Cap, Muffler
6	P311001180030000	Insulation Board, Rear Bridge
7	BGB70.2-M6×16-B	Inner Hexagon Screw With Flat Head M6×16
8	BGB93-6-B	Spring Washer 6
9	BGB97.1-6-B	Plain Washer 6
10	PJ00000961000600	Tension Spring G
11	PJ00000180500200	Semi-Ellipsoidal Gasket Φ42
12	PJ00000180200400	seal gasket, Exhaust Pipe φ33×φ42×6
13	P116000391600000	Oxygen Sensor
14	P3090011821A0000	Exhaust Pipe I
	P3100011821A0000	Exhaust Pipe I
15	BGB93-8	Spring Washer8

Muffler



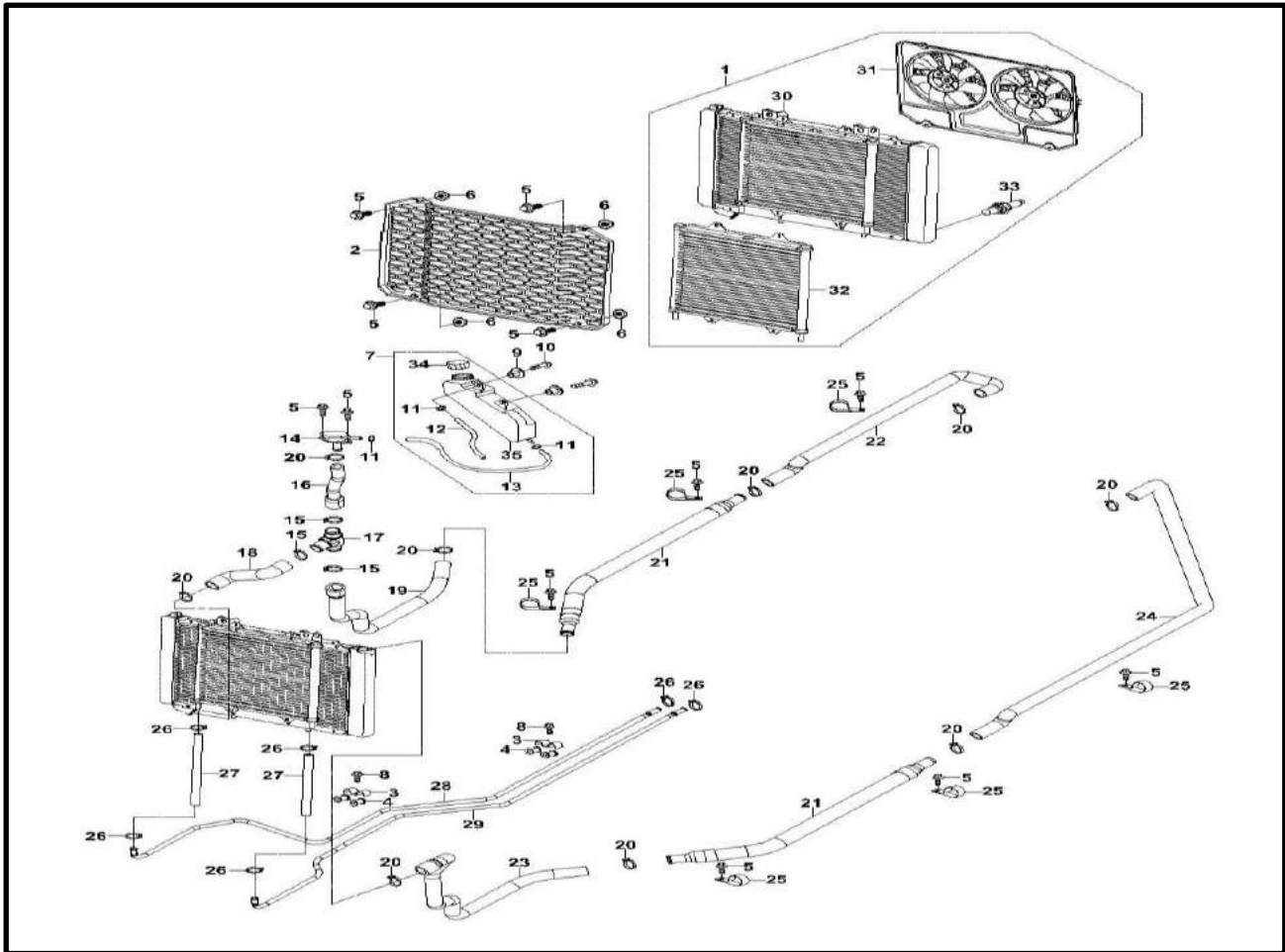
16	BGB6170-M8	Nut M8
17	BGB16674-M6×20	Hexagon Flange Bolt M6×20
18	PJ00000929302500	Turnup Liner φ9.4×φ12×12
19	P3110011840A0000	Tail Pipe Muffler
20	P311001180120000	Seal Gasket Insulation
21	P116000180070100	Heat Insulation Gasket
22	PJ00000906050600	Washer 8.5×Φ28×1.5
23	BGB6187-M8	Hexagon Flange Locked Nut M8
24	BGB5783-M10×1.25×20	Hexagon Flange Bolt M10×1.25×20
25	BGB93-10	Spring Washer Φ10
26	PJ00000906050100	Washer Φ10×Φ28×2
27	P309001181000000	Muffler Assy
	P310001181000000	Muffler Assy
28	BGB93-6	Spring Washer 6
29	BGB97.1-6	Plain Washer 6
30	P115000180070000	Heat Insulation Gasket

Radiator



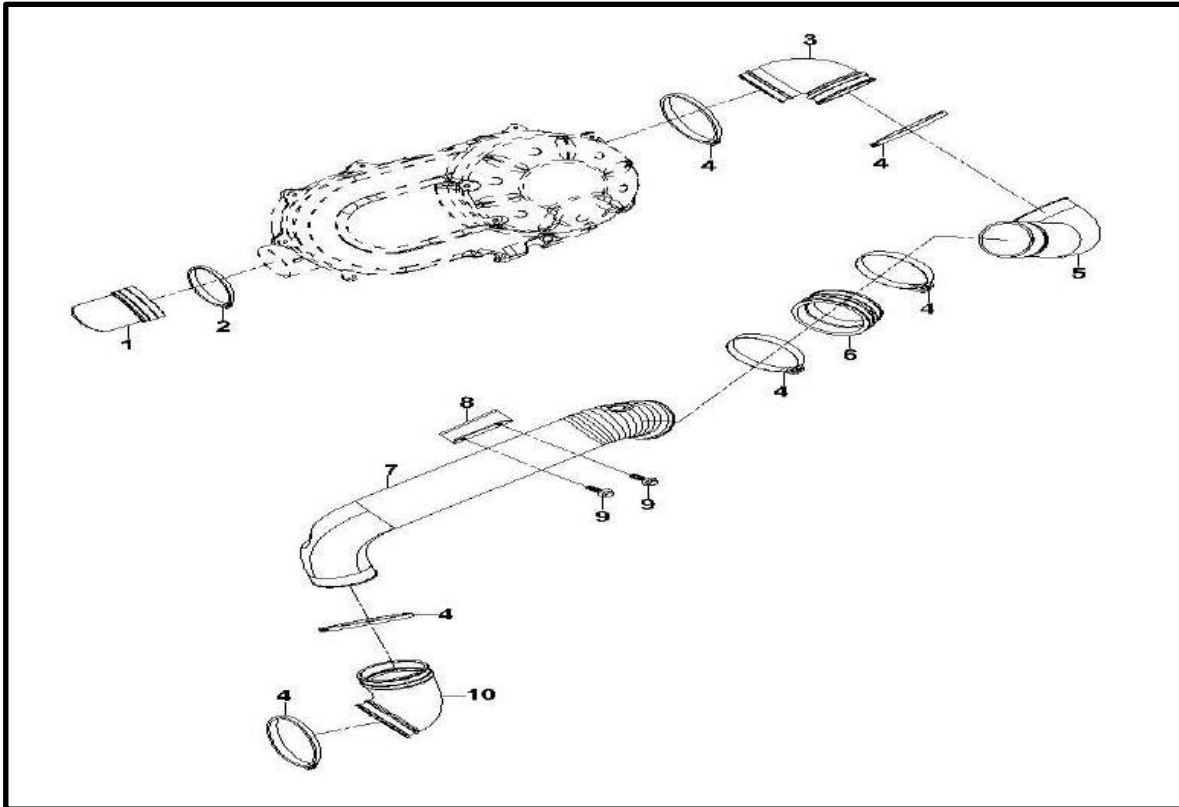
1	P309001192000000	Radiator Assy
2	P30900182527000023	Radiator Cover
3	P115000190170000	M - Clip
4	P115000155140000	Rubber Block
5	BGB16674-M6×16	Hexagon Flange Bolt M6×16
6	BGB6177.1-M6	Hexagon Flange Nut M6
7	P115000193000000	Second Water Tank Assy
8	BGB16674-M6×12	Hexagon Flange Bolt M6×12
9	PJ00000929301500	Turnup Liner Φ6.5×Φ22×6.5
10	BGB16674-M6×16	Hexagon Flange Bolt M6×16
11	PJ00000907100200	Elastic Hoop C
12	P115000193220000	Outlet Pipe, Second Water Tank
13	P115000193130000	Water Inlet Pipe, Second Water Tank
14	P301001192700000	Filler
15	PJ00000907300300	Locking Hoop D
16	P309001190190000	Water Inlet Pipe Iv
17	P311001190020000	Tee Branch Pipe Water Inlet

Radiator



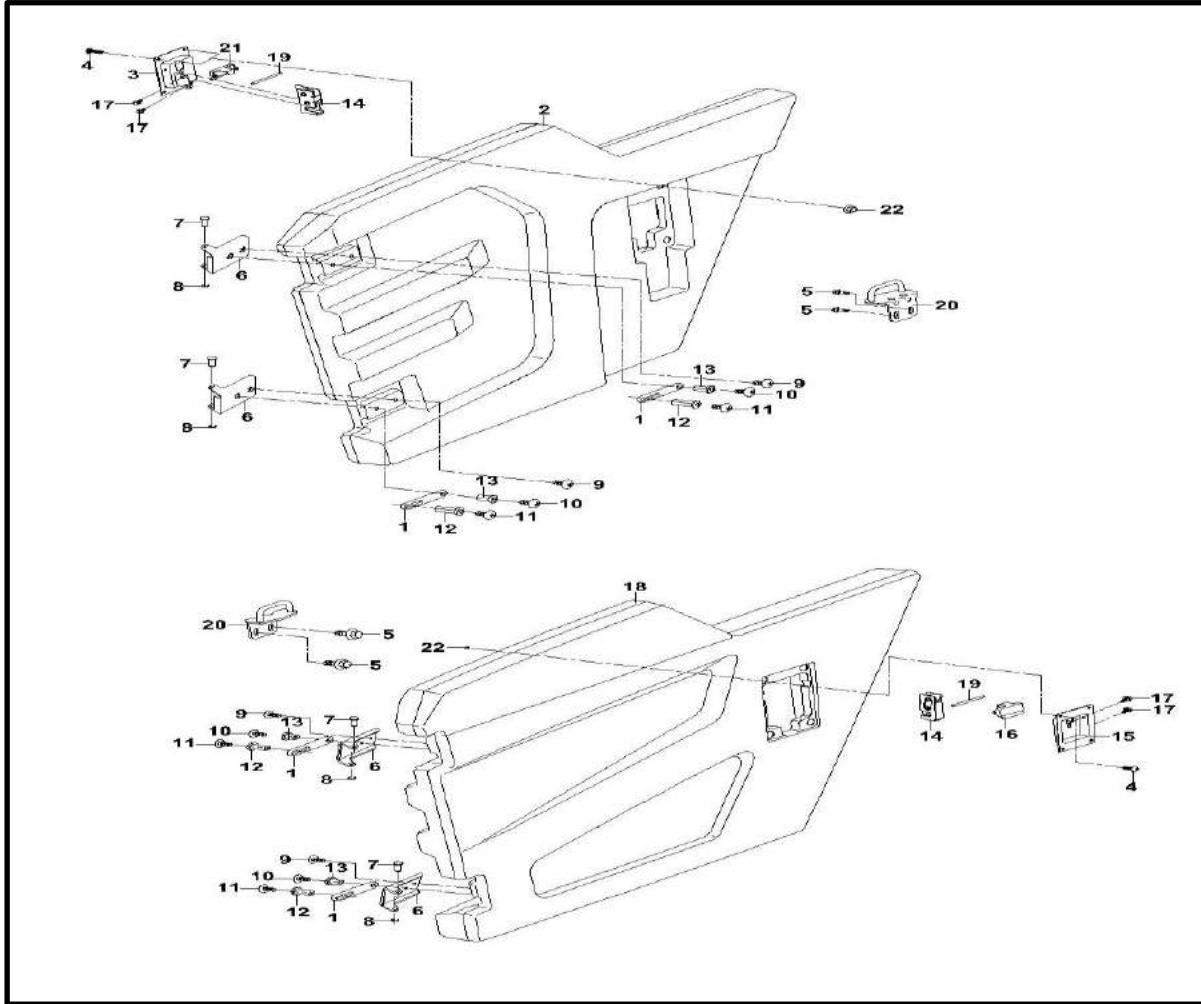
18	P309001190180000	Water Inlet Pipe III
19	P315001190030000	Water Inlet Pipe ii
20	PJ00000907300300	Locking Hoop D
21	P309001190120000	Metal Water Pipe I
22	P309001190010000	Water Inlet Pipe I
23	P315001190050000	Water Outlet Pipe li
24	P309001190040100	Outlet Pipe I
25	P116000190150000	Water Pipe Clip III
26	PJ000009073000000	Locking Hoop A
27	P309001155040000	High Pressure Rubber Fuel Pipe I
28	P309001155130000	Metal Oil Pipe I
29	P309001155150000	Metal Oil Pipe II
30	P3090011926A0000	Water Tank
31	P3090011924A0000	Cooler Fan
32	P3090011552A0000	Oil Cooler
33	P115000391300000	Water Temp Sensor
34	P115000193100000	Secondary Water Tank Cover
35	P115000193210000	Second Water Tank

Clutch Pipes



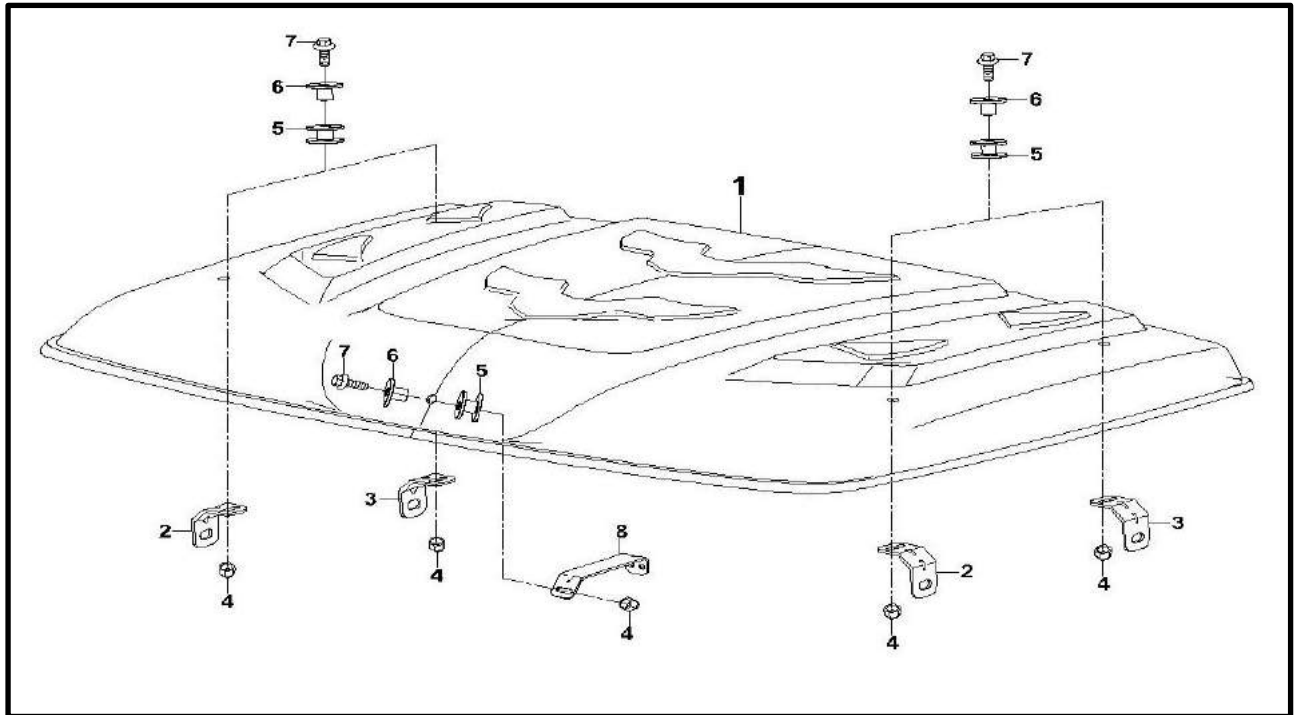
1	P309001172170000	Connecting Bushing Clutch Air-Out Pipe
2	PJ00000907301100	Screw Locking Hoop L
3	P309001172210000	Connecting Bush I Clutch Air-Inlet Pipe
4	PJ00000907301300	Screw Locking Hoop N
5	P309001172200000	Clutch Intake Pipe li
6	P312001172210000	Adapter Sleeve I, Secondary Intake Pipe
7	P309001172190000	Clutch Intake Pipe I
8	P309001515390000	Mounting Plate Clutch Intake Pipe
9	BGB16674-M6×16	Hexagon Flange Bolt M6×16
10	P309001172220000	Connecting Bush li Clutch Air-Inlet Pipe

Side Door



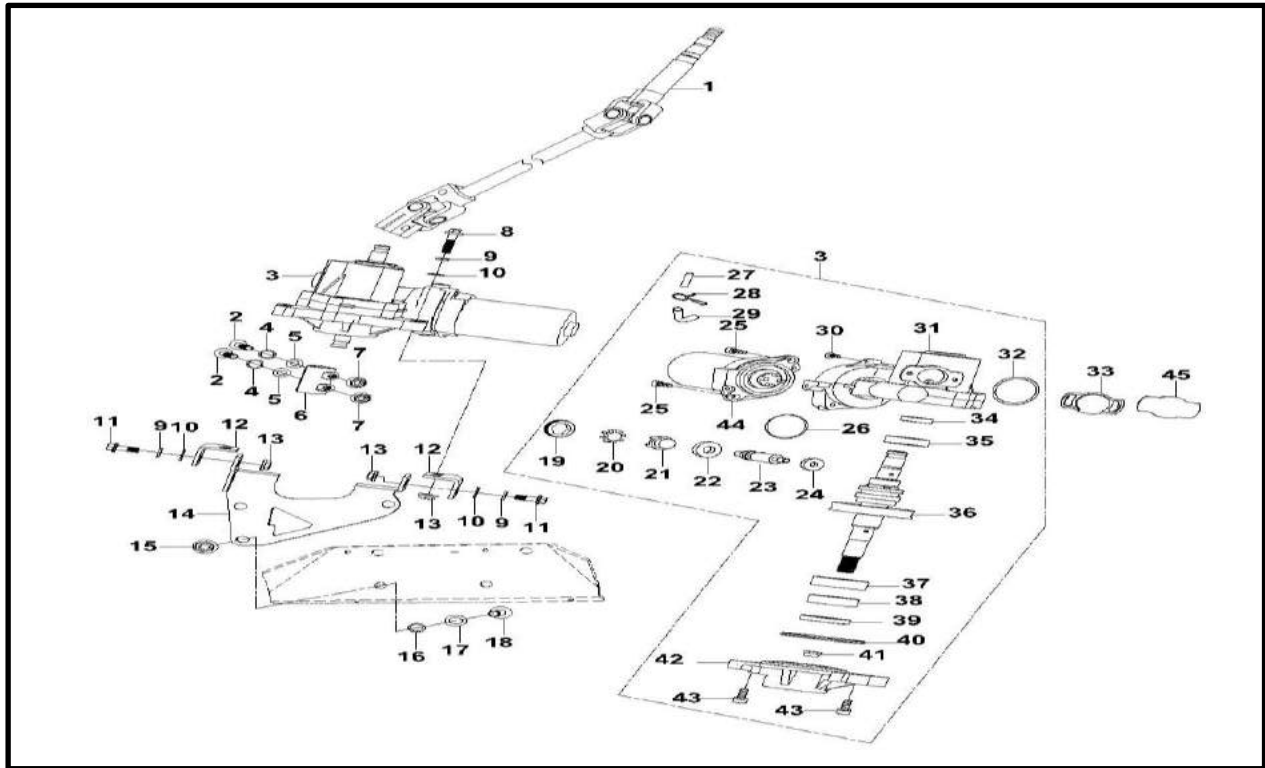
1	PJ00000932550000	Rubber Drawstring
2	P309001845200000	Right Door
3	P301001845400000	Lock Bracket (R) Vehicle Door
4	PJ00000905200100	Cross Large Plate Head Screw M5×16
5	BGB16674-M6×20	Hexagon Flange Bolt M6×20
6	P309001845800000	Door Hinge
7	PJ00000929710400	Step Slotted Pin Φ10×43
8	BGB896-8	Washer 8
9	PJ00000905200500	Cross Large Plate Head Screw M6×16
10	PJ00000905200600	Cross Large Plate Head Screw M6×20
11	PJ00000905200800	Cross Large Plate Head Screw M6×30
12	PJ00000929301900	Turnup Liner Φ6.5×Φ9×17
13	PJ00000929301500	Turnup Liner Φ6.5×Φ9×6.5
14	P301001845900000	Door Locker
15	P301001845300000	Lock Bracket (L) Vehicle Door
16	P301001845500000	Lock Catch (L) Vehicle Door
17	BGB16674-M6×16	Hexagon Flange Bolt M6×16
18	P309001845100000	Left Door
19	P301001845700000	Lock Pin Vehicle Door
20	P309001515850000	Door Locker Hook
21	P301001845600000	Lock Catch (R) Vehicle Door
22	BGB6177.1-M5	Hexagon Flange Nut M5

Roof



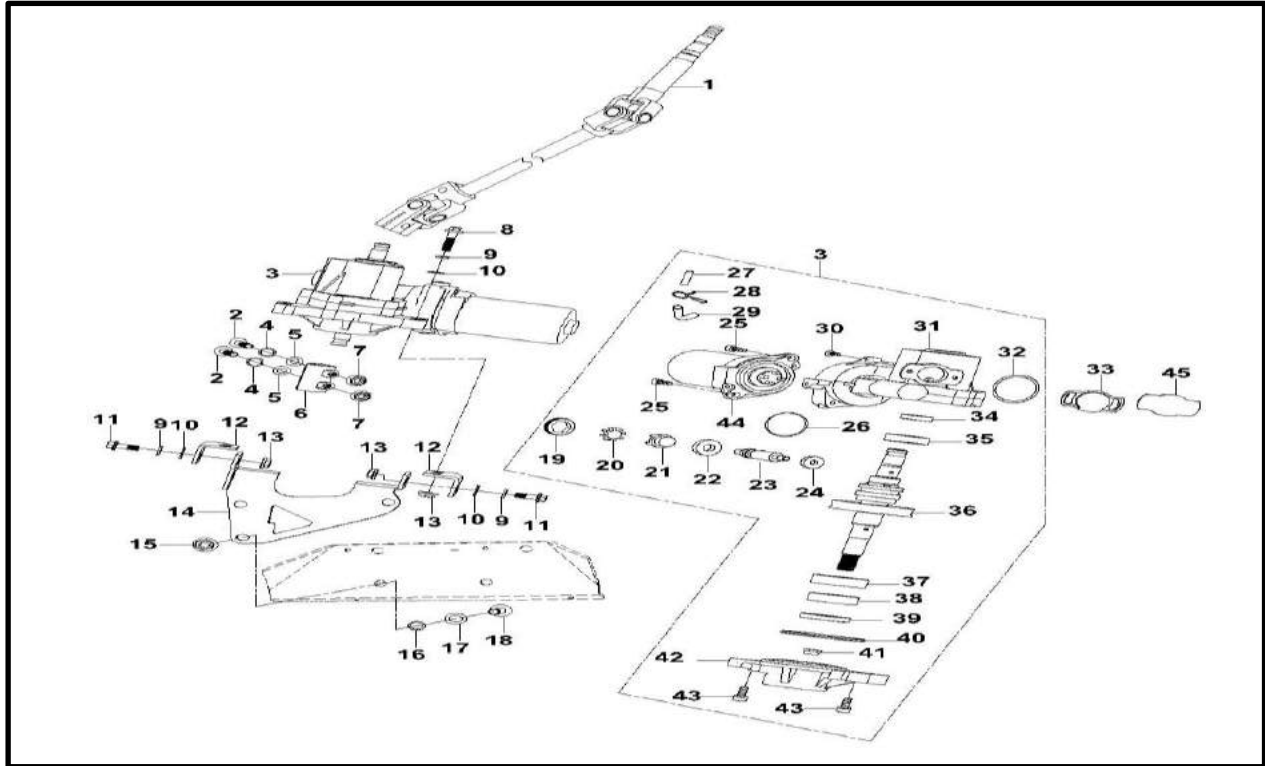
1	P115000825180000	Shed I
2	P309001515670000	Support Lug I, Shed
3	P309001515680000	Support Lug Ii, Shed
4	PJ00000903460100	Cap Nut M6×17
5	PJ00000931250100	Damping Pad Ø8×6.5
6	PJ00000929302000	Bush Ø6.3×Ø9×12
7	BGB16674-M6×25	Hexagon Flange Bolt M6×25
8	P309001515690000	Support Lug Iii, Shed

Driveshaft



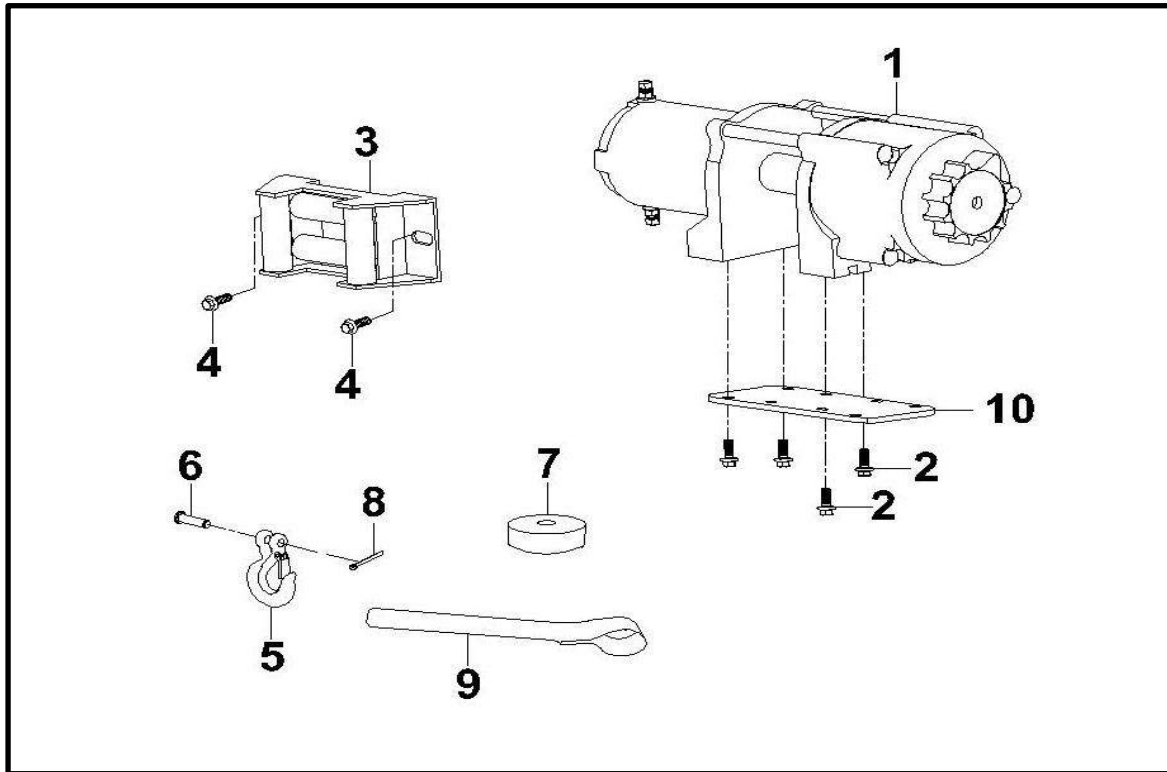
1	P309001621302000	Direction Driveshaft Assy
2	BGB16674-M8×40	Hexagon Flange Bolt M8×40
3	P115H00622000000	Eps Assy
4	BGB97.1-8	Plain Washer 8
5	BGB93-8	Spring Washer Φ8
6	P311001621400000	Adapter Sleeve Eps
7	BGB6177.1-M8	Hexagon Flange Nut M8
8	BGB16674-M8×35	Hexagon Flange Bolt M8×35
9	BGB97.1-8	Plain Washer 8
10	BGB93-8	Plain Washer 8
11	BGB16674-M8×20	Hexagon Flange Bolt M8×20
12	P311001517680000	Mounting Plate I Eps
13	BGB6170-M8	Hexagon Nut M8
14	P309001517690000	Mounting Plate li Eps
15	BGB6187-M10×1.25	Hexagon Flange Locked Nut M10×1.25
16	BGB93-10	Spring Washer Φ10
17	BGB97.1-10	Plain Washer Φ10
18	BGB16674-M10×1.25×45	Hexagon Flange Bolt M10×1.25×45
19	P311001622070000	Inner Hexagon Nut M30×1
20	P311001622090000	Motor Rubber Block
21	P311001622080000	Motor Block
22	BGB276-16001	Deep Groove Ball Bearing 16001
23	P311001622060000	Worm
24	BGB276-608-Z	Deep Groove Ball Bearing 608-Z

Driveshaft



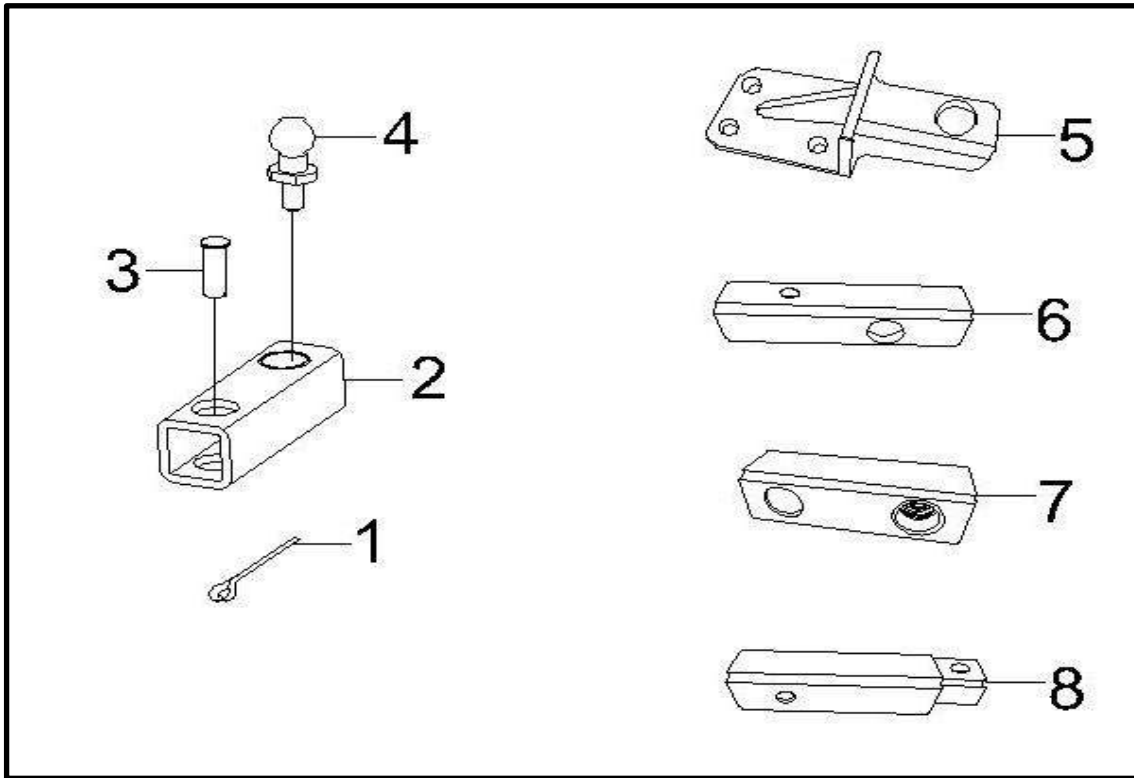
25	BGB70.2-M8×25-BA	Inner Hexagon Bolt With Snap Head M8×25
26	P311001622130000	Seal Gasket Φ58×2.4, Eps Motor
27	P311001622160000	Vent Pipe
28	P311001622190000	Clamp, Vent Pipe
29	P311001622170000	Vent Pipe Joint
30	BGB823-M5×16-BA	Cross Small Plate Head Screw M5×16
31	P115H00624500000	Eps Body
32	P311001622120000	Seal Gasket Φ28×2, Eps Sensor
33	P115H00623000000	Eps Sensor
34	P311001622140000	Oil Seal Φ20×Φ30×8
35	BGB276-6004	Bearing 6004
36	P311001622050000	Turbine Shaft
37	BGB276-6205	Bearing 6205
38	BGB276-16005	Deep Groove Ball Bearing 16005
39	P311001622150000	Oil Seal Φ27×Φ47×7
40	P311001622110000	Bearing Seal Gasket Φ72×2
41	P311001622180000	Lock Nut
42	P311001622020000	Eps Bearing Socket
43	BGB70.2-M6×40-BA	Inner Hexagon Bolt With Snap Head M6×40
44	P115H00622500000	Eps Motor
45	P115000622180000	Eps Sensor Cover

Winch



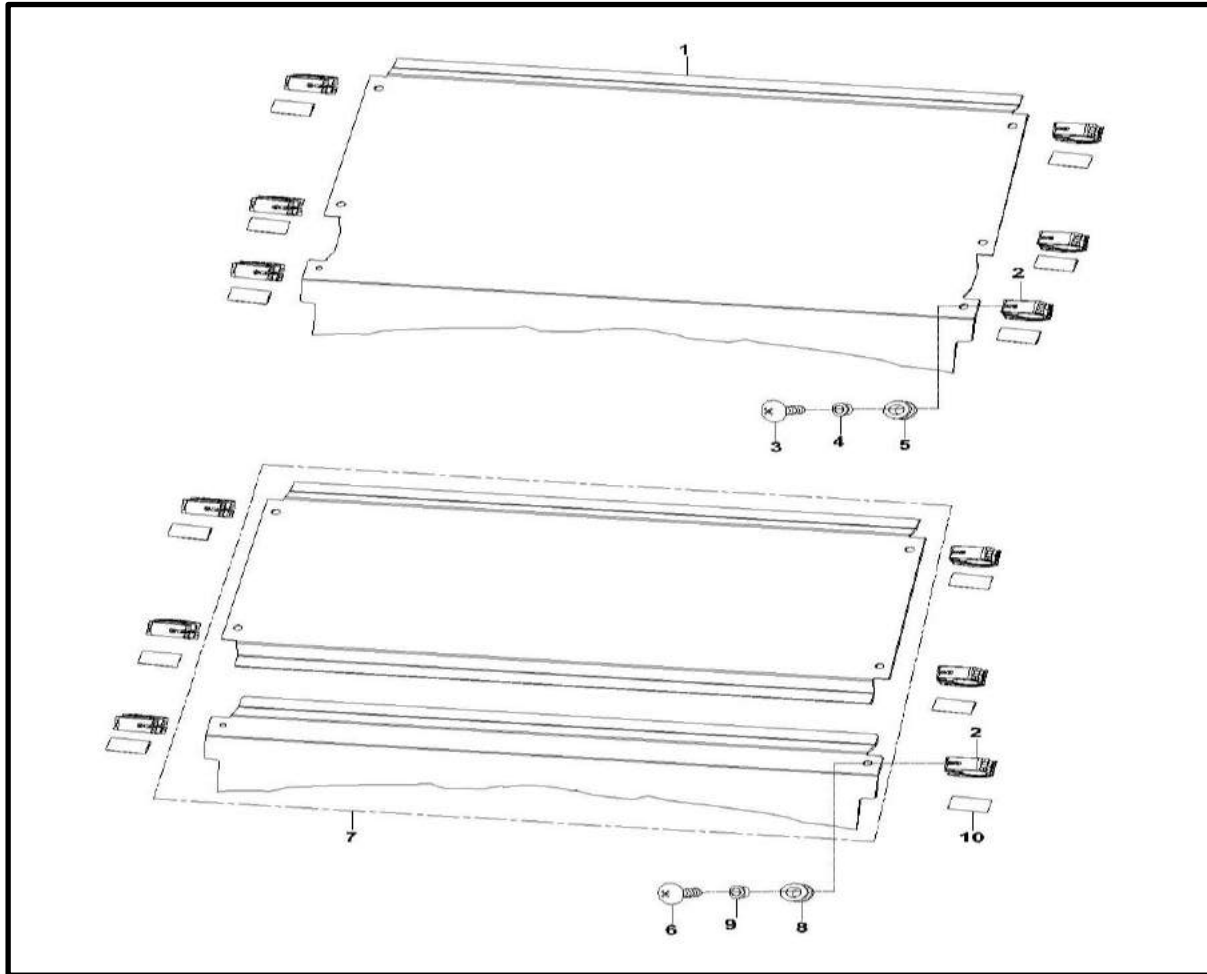
1	P115000899110000	Winch Body (2500Lbs)
	P115000899110100	Winch Body (3500Lbs)
2	BGB16674-M8×20	Hexagon Flange Bolt M8×20
3	P115000899020000	Rope Guide
4	BGB16674-M8×16	Hexagon Flange Bolt M8×16
5	P115000899010000	Hook
6	P115000899090000	Fixing Pin $\Phi 9.5 \times 40$
7	P115000899040000	Plastic Snap Ring
8	BGB91-2×30-BA	Split Pin 2×30
9	P115000899050000	Hand Tape
10	P309001515090000	Bumper Holder

Hitch



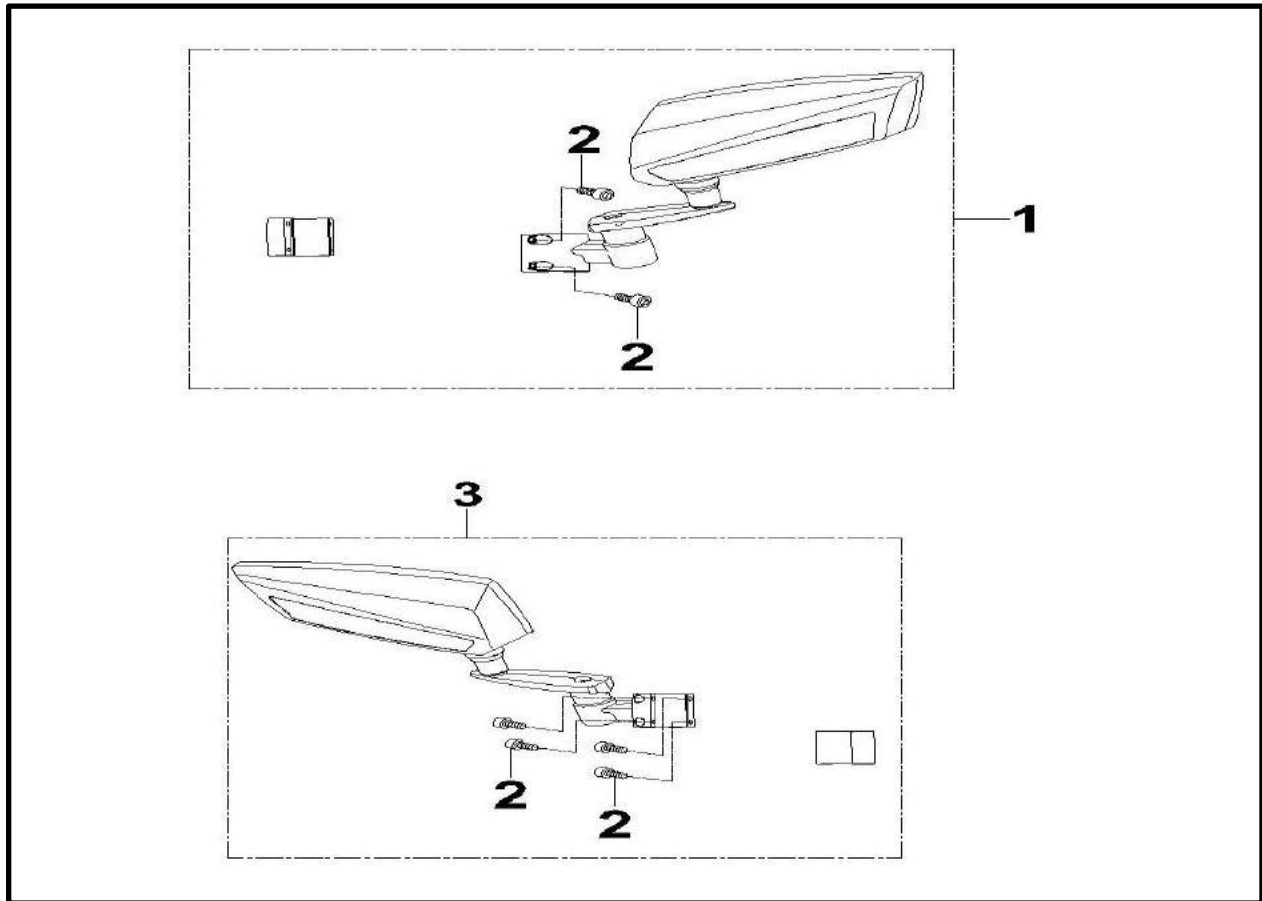
1	PJ00000908050000	R Type Pin A
2	PJ00000519100000	Rear Hitch Joint A
3	PJ00000929701000	Split Pin $\Phi 23.5 \times 73.3$
4	PJ00000519300000	Hitch Ball A
5	PJ00000519101900	Rear Hitch Joint T
6	PJ00000519100200	Rear Hitch Joint C
7	PJ00000519100100	Rear Hitch Joint B
8	PJ00000519101000	Rear Hitch Joint K

Windshield



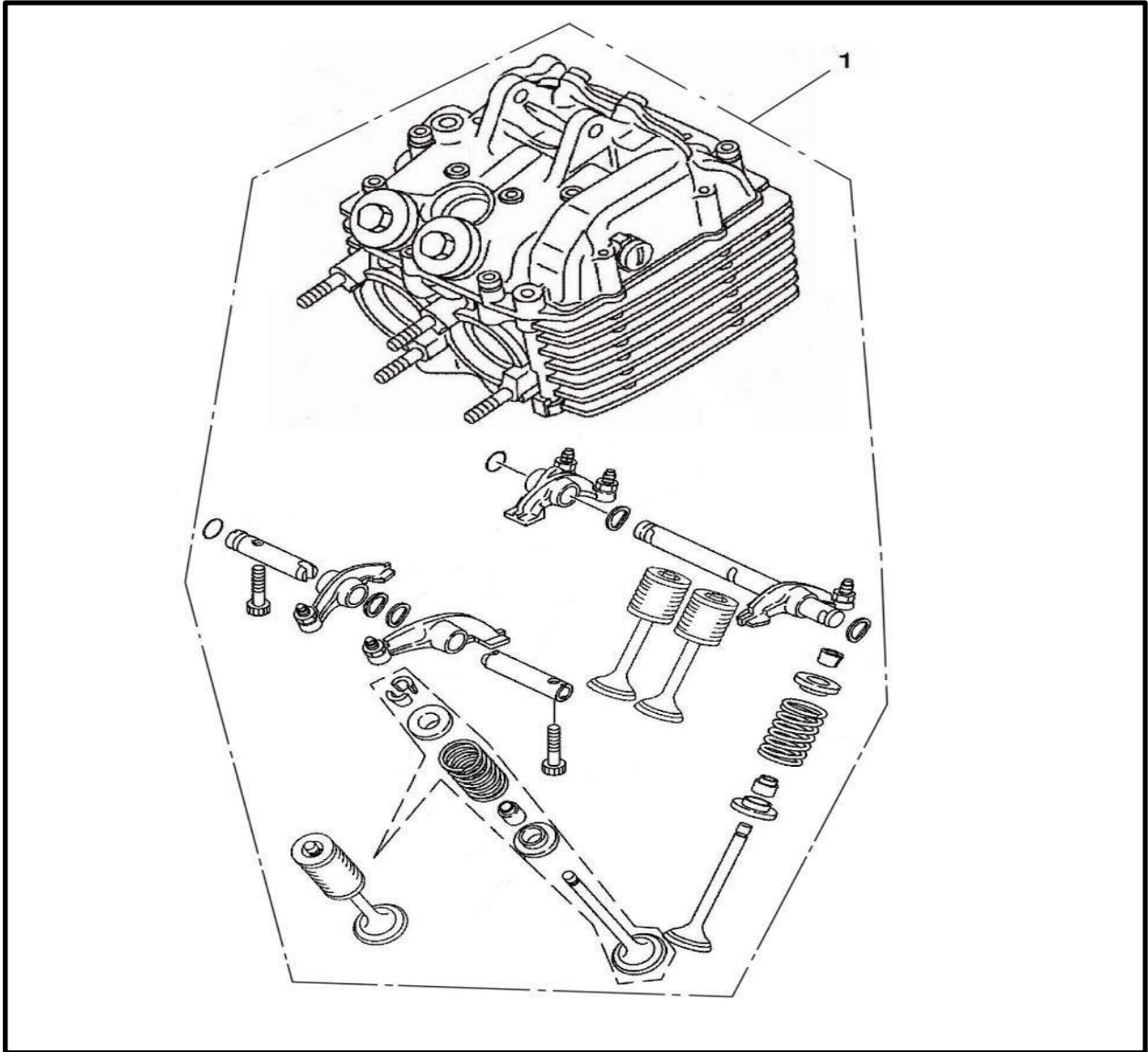
1	P309001861140000	Front Windshield (Upper)
	P309005861140000	Front Windshield (Upper)
2	P311001863100000	Clamp
3	PJ00000905200600	Cross Large Plate Head Screw M6×20
4	PJ00000929302000	Bush $\Phi 6.3 \times \Phi 9 \times 12$
5	PJ00000931250100	Cylindrical Cushion Pad $\Phi 8 \times 6.5$
6	PJ00000905200600	Cross Large Plate Head Screw M6×20
	P309001861150000	Windscreen
7	P309005861150000	Windscreen
	PJ00000931250100	Cylindrical Cushion Pad $\Phi 8 \times 6.5$
8	PJ00000929302000	Bush $\Phi 6.3 \times \Phi 9 \times 12$
9	PJ00000905200600	Cross Large Plate Head Screw M6×20
10	P309001863170000	Hoop Cushion Rubber, Windshield

Mirror



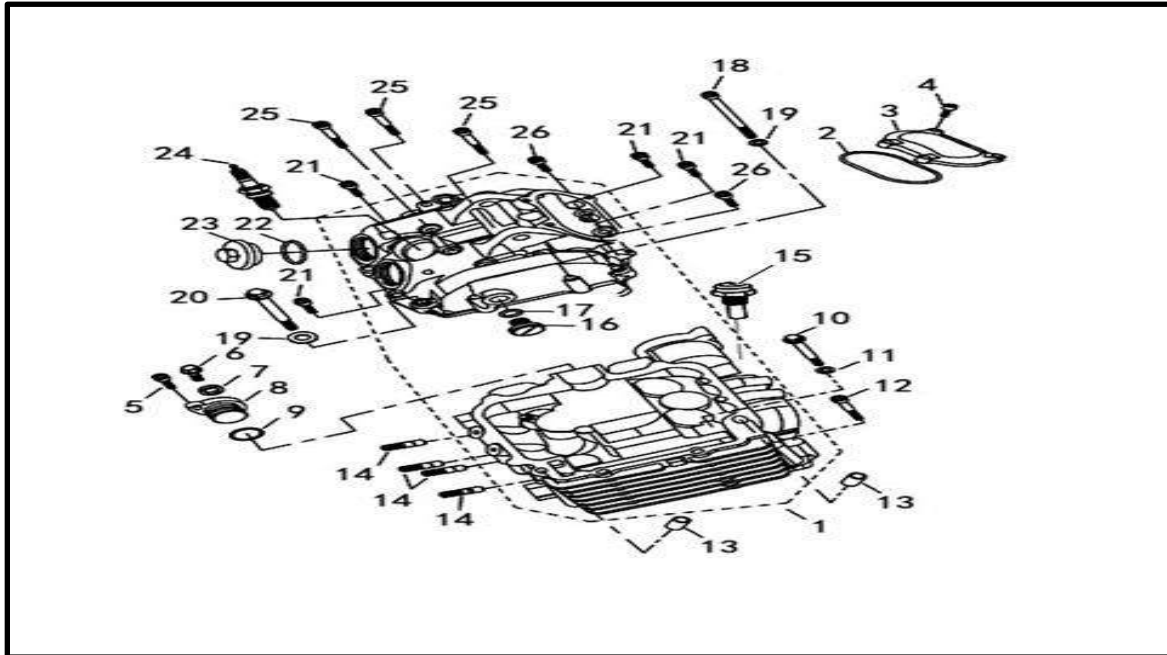
1	P303001892100000	Left Rearview Mirror
2	BGB70-M5×12	Socket Hexagon Head Screw M5×12
3	P303001892200000	Right Rearview Mirror

Cylinder Head



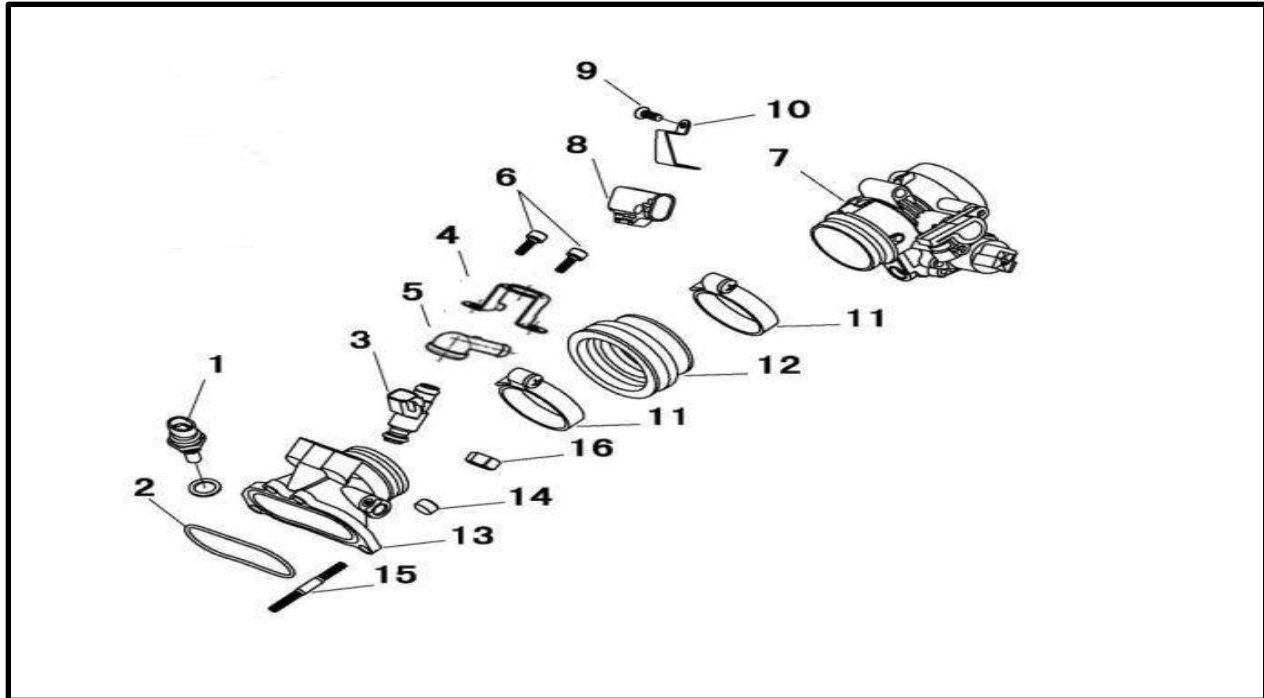
1	P007G00122000200	Cylinder Head Assembly
---	------------------	------------------------

Cylinder Head



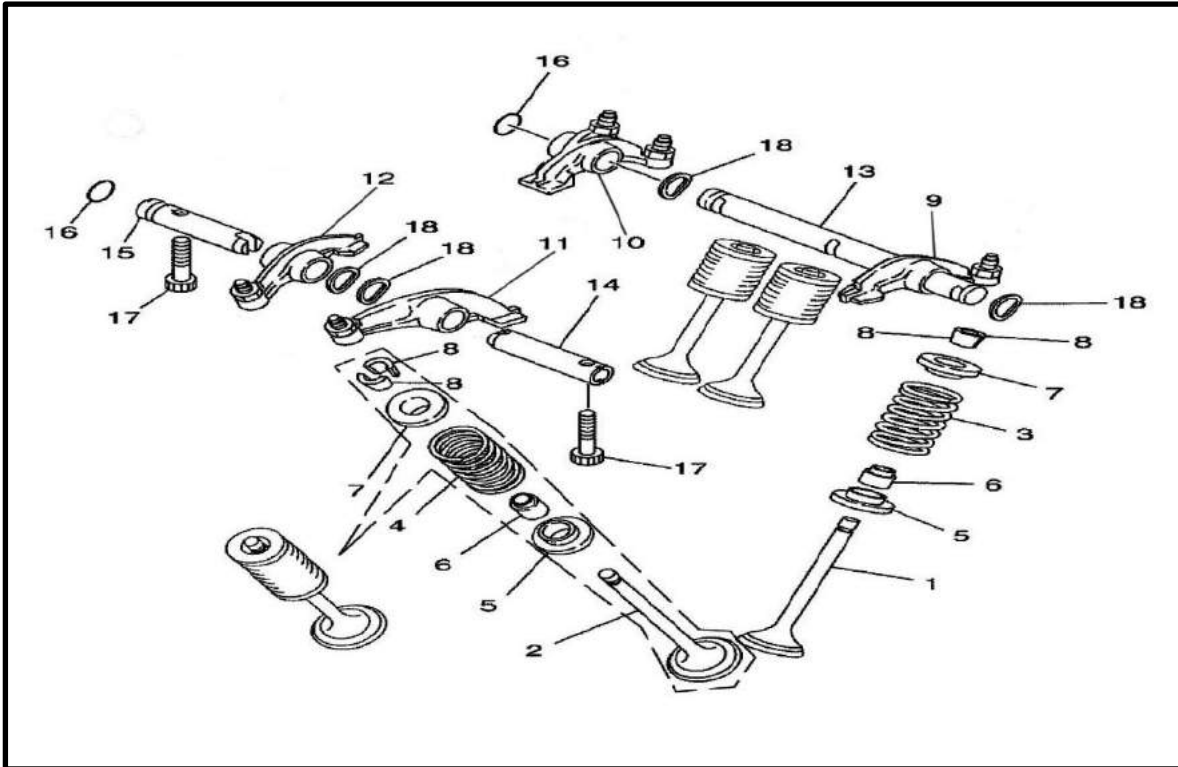
1	P007G001220A0200	Cylinder Head Assy
2	PJ00000912017000	O-Ring 71.5×3
3	P007000123010000	Cover Intake Valve
4	BGB70-M6×20	Hexagon Socket Head Cap Screws M6×20
5	BGB70-M6×20	Hexagon Socket Head Cap Screws M6×20
6	BGB5787-M6×12	Hexagon Flange Bolts M6×12
7	PJ00000906010100	Aluminum Washer 6×12×1.5
8	P007000123410000	Camshaft End Cover
9	PJ00000912012500	O-Ring 18.7×2.45
10	P007000120120000	Cylinder Bolts M9×109
11	PJ00000906003400	Washer 10×19×2
12	BGB70-M6×50	Hexagon Socket Head Cap Screws M6×50
13	PJ00000908020300	Pin Dowel 10×16
14	BGB901-M8×45-B	Stud M8×45(Sus)
15	P010000391300000	Water Temperature Sensor
16	P003000110020000	Small Peep Hole Cover
17	PJ00000912011400	O-Ring 13.4×2.35
18	BGB70-M6×130	Hexagon Socket Head Cap Screws M6×130
19	PJ00000906010200	Aluminum Washer 6×12×2
20	BGB70-M6×115	Hexagon Socket Head Cap Screws M6×115
21	BGB70-M6×25	Hexagon Socket Head Cap Screws M6×25
22	PJ00000912014200	O-Ring 32.7×3.1
23	P007000123020000	Cover Exhaust Valve
24	P010000333000000	Spark Plug Ngk Dcpr7E
25	BGB70-M6×55	Hexagon Socket Head Cap Screws M6×55
26	BGB70-M6×40	Hexagon Socket Head Cap Screws M6×40

Intake Assy



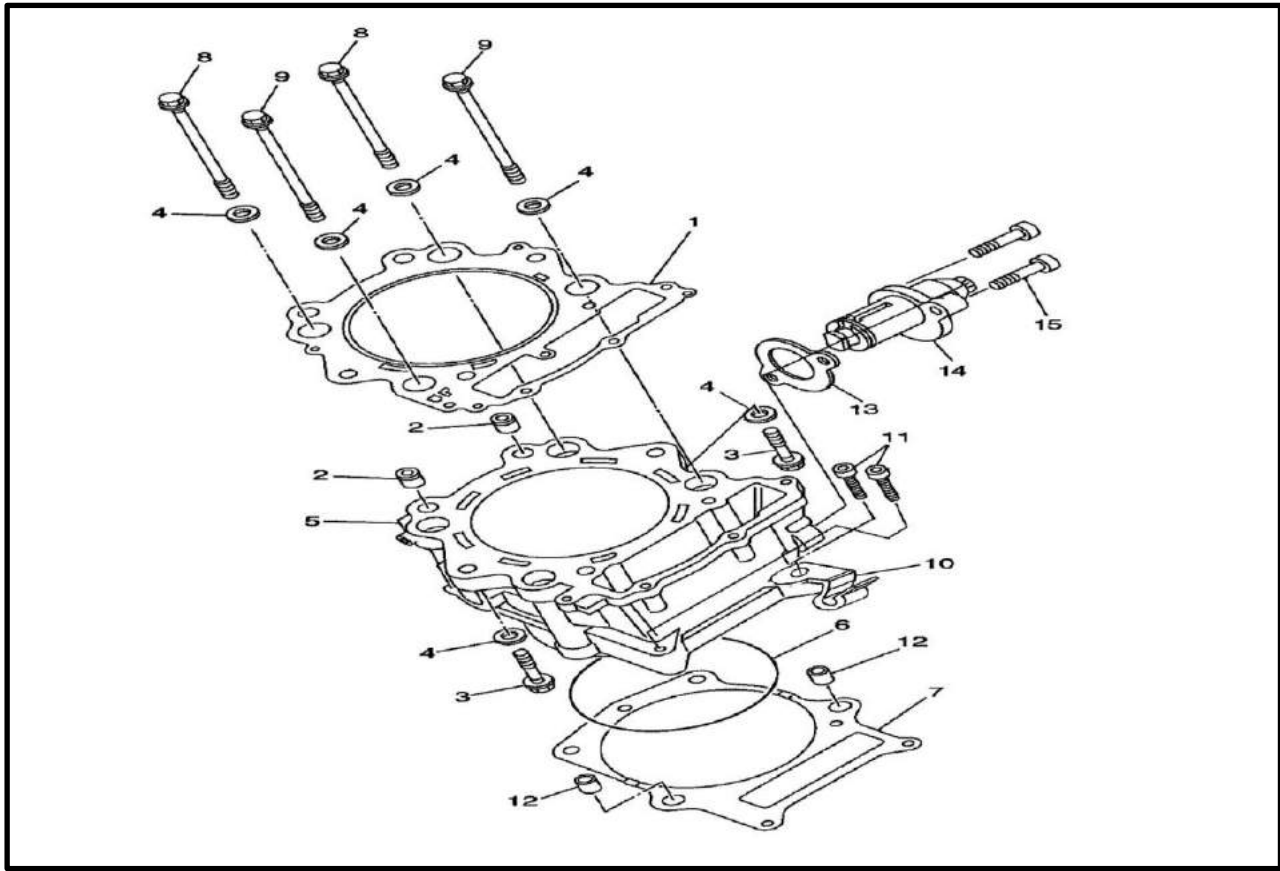
1	P010000391300000	Water Temperature Sensor
2	P007000124050000	Seal Intake-Tube
3	P007C00165300000	Fuel Injector (25377439)
4	P007000164310000	Fuel injector clamp
5	P007000164300003	Fixed Seat III Fuel Injector
6	BGB70-M6×12	Hexagon socket head cap screw M6×12
7	P007E00164000100	Throttle Body Assy (D46-3)
8	P010000391500000	Temperature/Pressure Sensor
9	BGB9074.4-M4×8	Cross Recessed Pan Head Screw Lock Washer Assemblies M4×8
10	P010000167010000	Press Plate Temp
11	PJ00000907300800	Hose Clamp Assy Ø50~Ø70
12	P007C00124010000	Intake-Tube Joint
13	P007C001241A0000	Intake-Tube Assy
14	PJ00000929000400	Bushing Ø7×Ø9×8
15	BGB897-M6×32	Stud M6×32
16	BGB6177-M6	Nut M6

Intake Valve



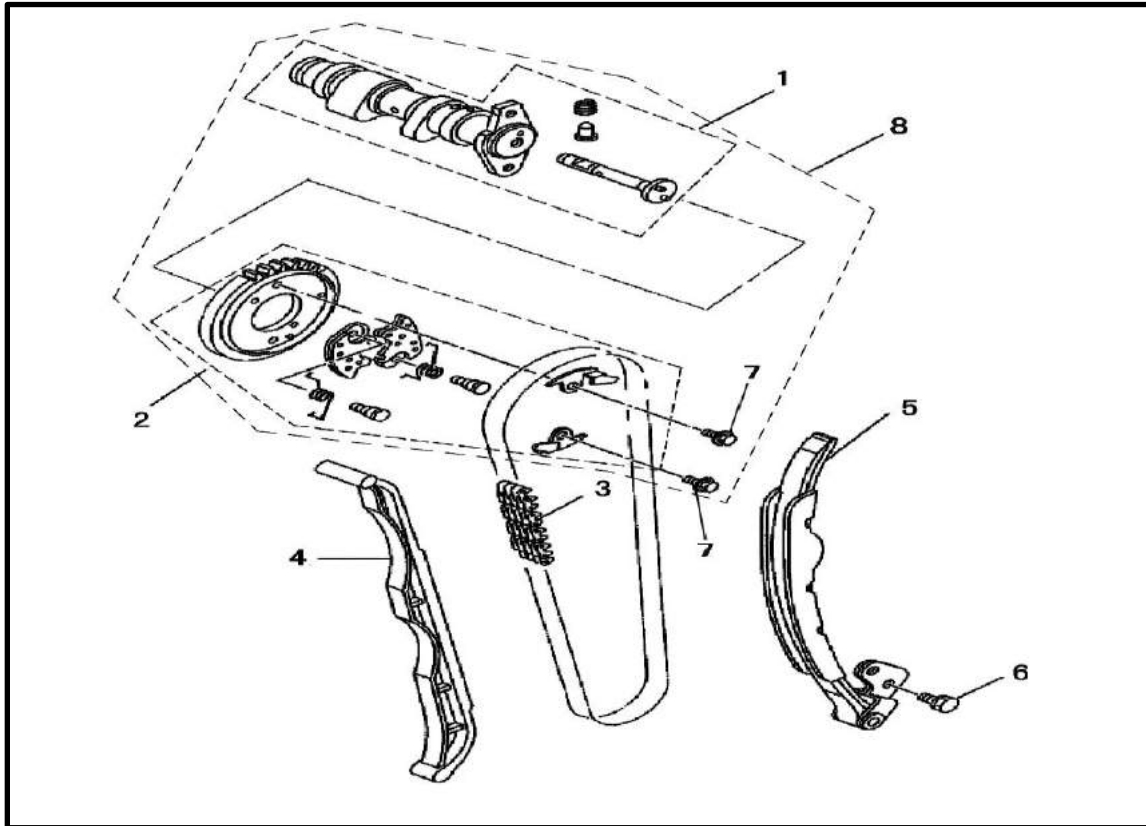
1	P007000147110000	Intake Valve
2	P007000147210000	Exhaust Valve
3	P007000147030000	Spring Intake Valve
4	P007000147040000	Spring Exhaust Valve
5	P007000147020000	Valve Spring Seat
6	P007000147050000	Valve Stem Seal
7	P007000147070000	Retainer Valve Spring
8	P007000147130000	Valve Lock Keeper
9	P0070001441A0000	Intake Valve Rocker I (26)
10	P0070001443A0000	Rocker Arm II (27) Intake
11	P0070001444A0000	Exhaust Valve Rocker II (29)
12	P0070001442A0000	Exhaust Valve Rocker I (28)
13	P007000144030000	Intake Valve Rocker shaft
14	P007000144040000	Exhaust Valve Rocker shaft I
15	P007000144050000	Exhaust Valve Rocker shaft II
16	PJ00000912010700	O-Ring 9x2
17	BGB70-M6x20	Hexagon Socket Head Cap Screws M6x20
18	PJ00000906040100	Wave Washer 12.5x34x0.4

Cylinder



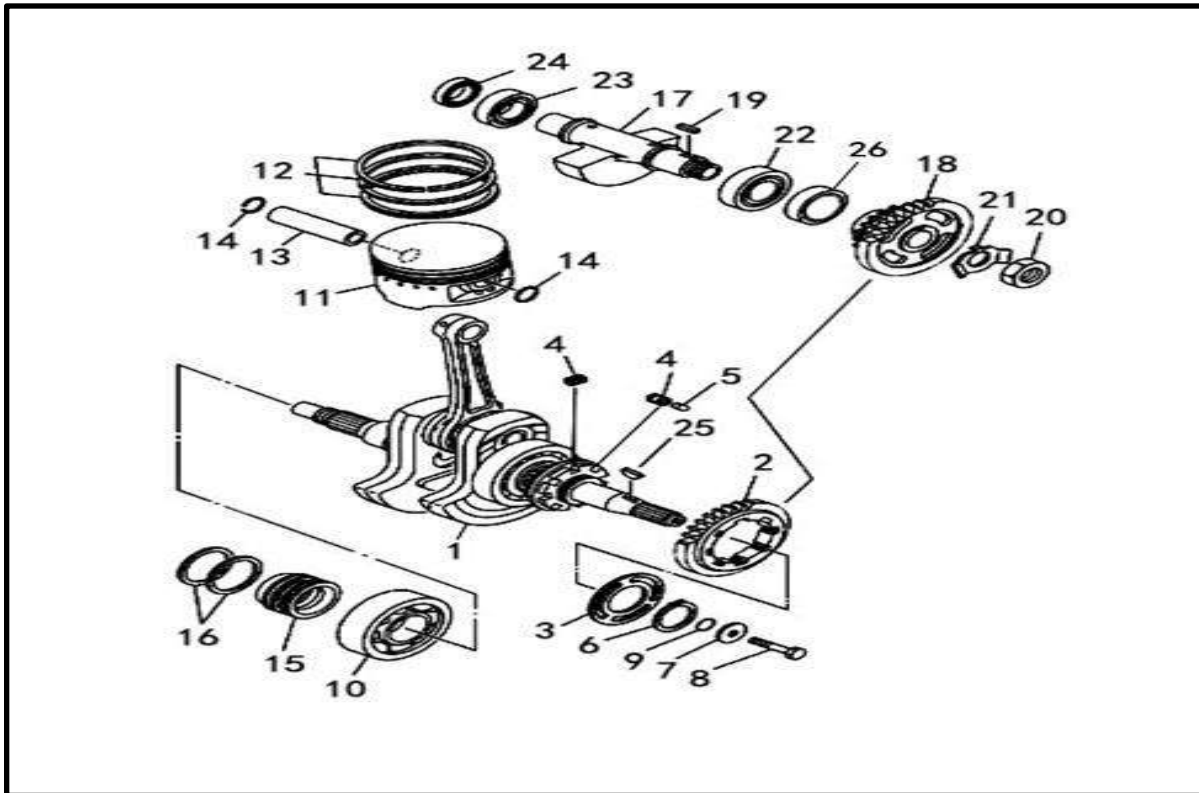
1	P0070001207A0000	Gasket Cylinder Head
2	PJ00000908020400	Pin Dowel 12×16
3	P007000120110000	Cylinder Bolts M9×38.5
4	PJ00000906003400	Washer 10×19×2
5	P0160001211A0000	Cylinder Body Assembly
6	PJ00000912017500	O-Ring 105.7×2.8
7	P007000120090000	Gasket Cylinder Base
8	P016000110120000	Bolts For Cylinder M10×1.25×121
9	P016000110180000	Bolts For Cylinder M10×1.25×128
10	P004000110070000	Pipe Clamp II
11	BGB70-M6×40	Hexagon Socket Head Cap Screws M6×40
12	PJ00000908020600	Pin Dowel 14×16
13	P007000145080000	Gasket Tensioner
14	P007000145300000	Tensioner Assy.
15	BGB70-M6×25	Hexagon Socket Head Cap Screws M6×25

Camshaft



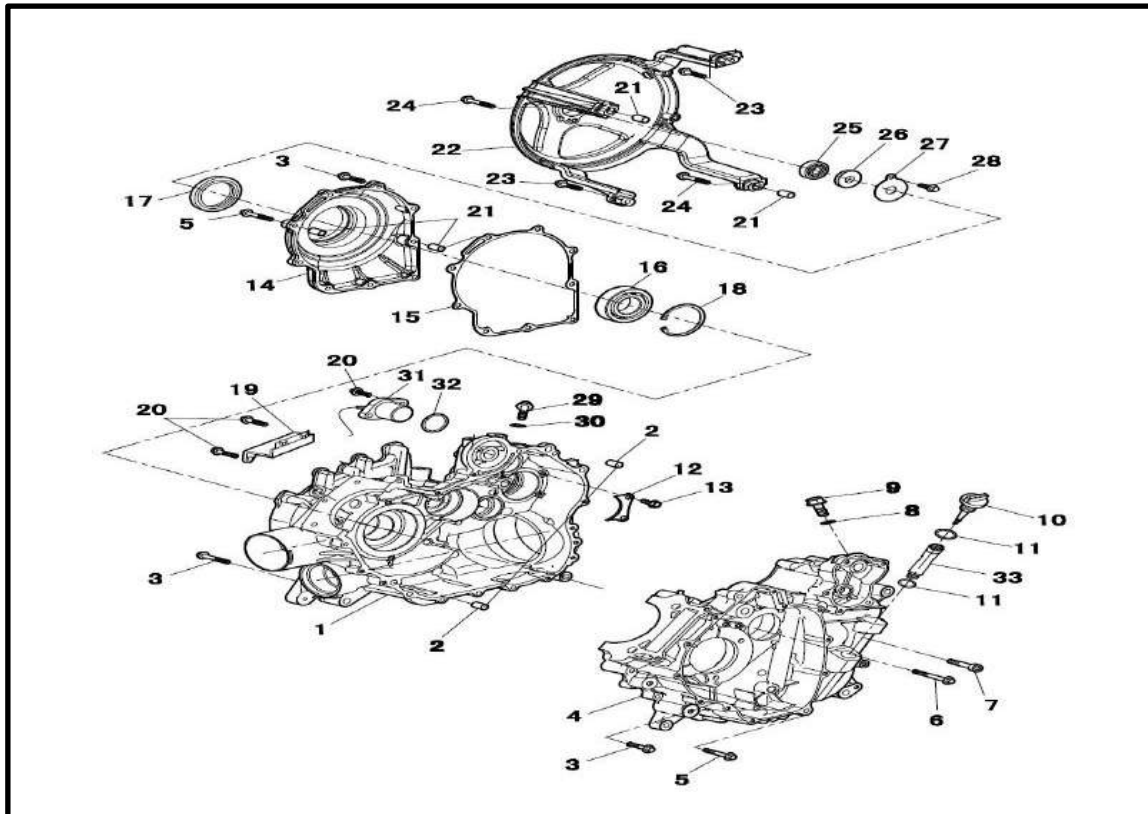
1	P007000141110000	Camshaft
2	P0070001431A0000	Camshaft Sprocket Assy
3	P016000143020000	Timing Chain M7-6.35-130
4	P0160001452B0000	Timing Chain Guide
5	P0040001451B0000	Timing Chain Tensioner Guide
6	BGB9074.14-M6×16	Hexagon Head Bolt Plain Washer Assemblies M6×16
7	BGB5789-M7×11	Hexagon Flange Bolts M7×11
8	P007000141000000	Camshaft Assembly

Front Cover



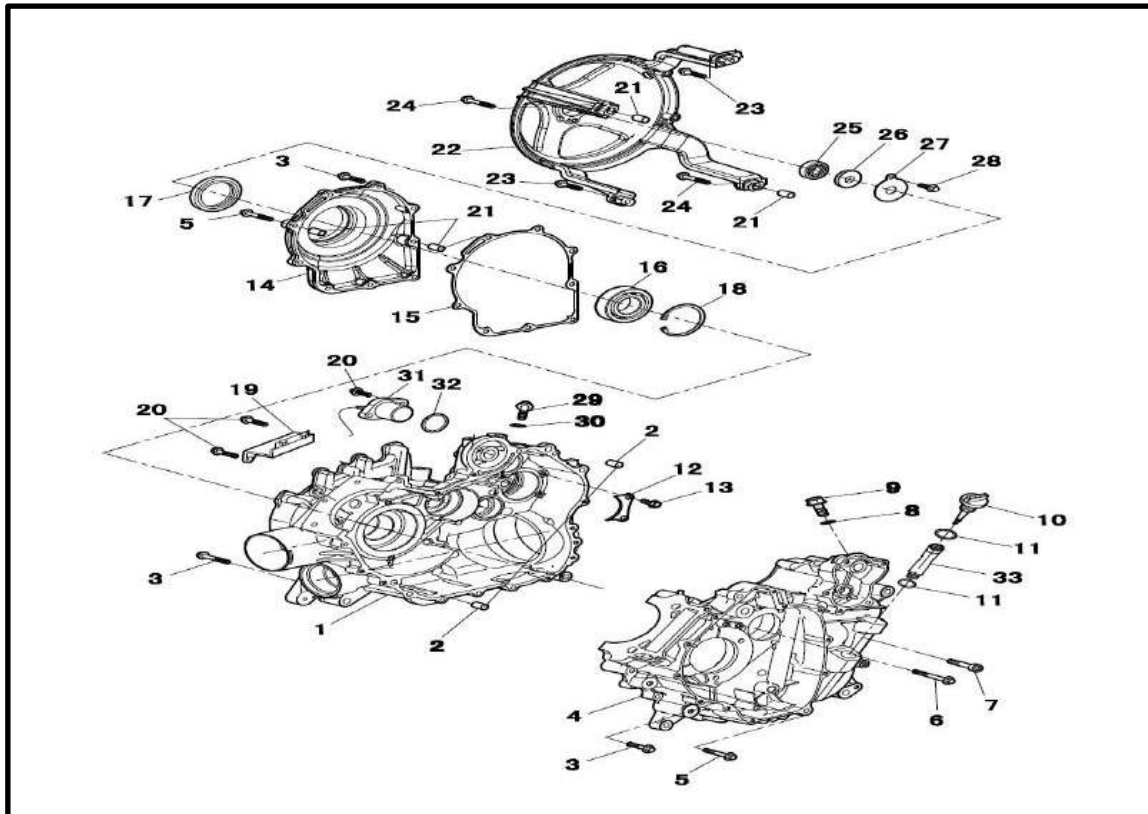
1	P016000132000001	Crankshaft Assy
2	P004000133220000	Driving Gear Balance Shaft
3	P004000133230000	Locating Plate Balance Gear Outer
4	P016000133250000	Buffer Spring Balance Gear
5	P004000133260000	Spacer Pin Balance Gear
6	BGB894.1-35	Circlip For Shaft Ø35
7	PJ00000906000700	Washer 10×32×5
8	BGB5783-M10×1.25×40	Hexagon Head Bolts M10×1.25×40
9	PJ00000912012000	O-Ring 16×3
10	BGB276-6307	Bearing 6307
11	P007000131010000	Piston
12	P0070001311A0000	Piston Ring Set
13	P007000131020000	Piston Pin
14	P007000131070000	Circlip Piston Pin
15	P004000110230000	Bushing Sealing Ring
16	P003000110240000	Sealing Ring
17	P0160001331A0000	Balance Shaft Assy
18	P0160001332A0000	Balance Driven Gear Assy
19	BGB1096-B5×12.4	Key B5×12
20	PJ00000904021000	Hexagon Nut M18×1
21	PJ00000906030400	Tab Washer A
22	BGB276-6305	Bearing 6305
23	BGB276-6304	Bearing 6304
24	PJ00000911012100	Oil Seal 20×30×7
25	P004000130010000	Key
26	P016000133270000	Bushing, Balance Driven Gear

Crankcase



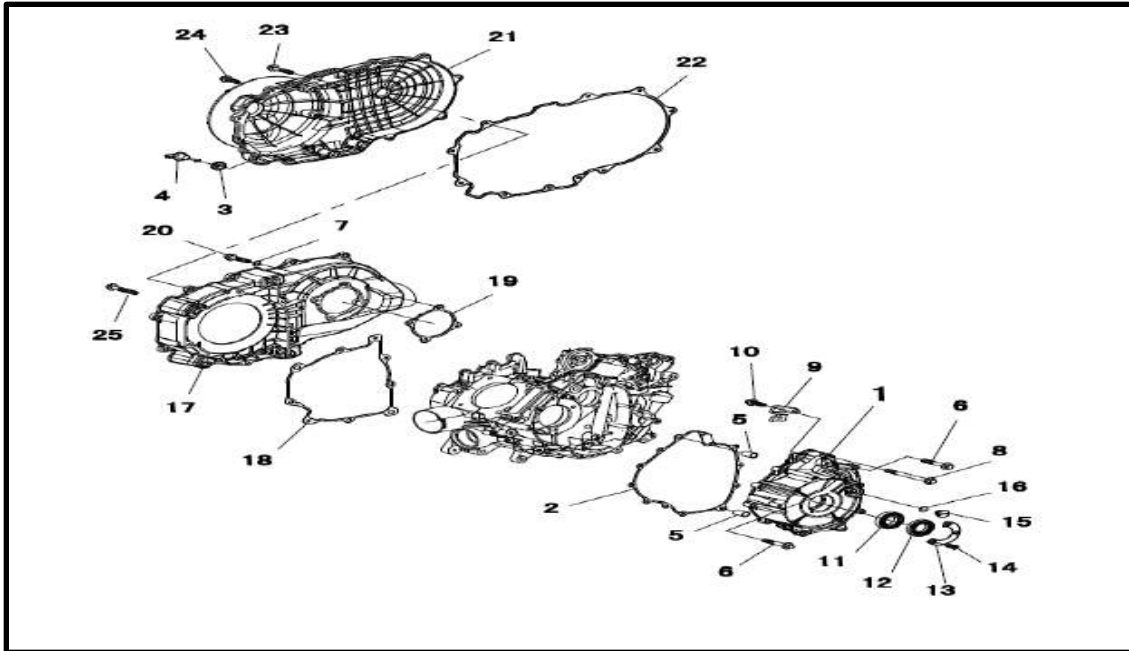
1	P0070001110A0001	Right Crankcase Assy
2	PJ00000908020500	Pin Dowel 9x12x16
3	BGB5787-M6x30	Hexagon Flange Bolts M6x30
4	P0070001120A0001	Left Crankcase Assy
5	BGB5787-M6x40	Hexagon Flange Bolts M6x40
6	BGB5787-M6x85	Hexagon flange bolts M6x85
7	BGB70-M8x40	Hexagon Socket Head Cap Screws M8x40
8	PJ00000906010700	Aluminum Washer 14x20x1.5
9	PJ00000904050400	Hexagon Flange Screw Plug M14x1.5x16
10	P007000156500100	Oil Dipstick
	P007000156500000	Oil Dipstick
11	PJ00000912012400	O-Ring 18x3.5
12	P004000110130000	Press Plate Main Shaft Bearing
13	BGB5787-M6x16	Hexagon Flange Bolts M6x16
14	P004000113210000	Wet Clutch Case Cover
15	P004000113220000	Gasket Wet Clutch Cover
16	BGB276-16010	Bearing 16010

Crankcase



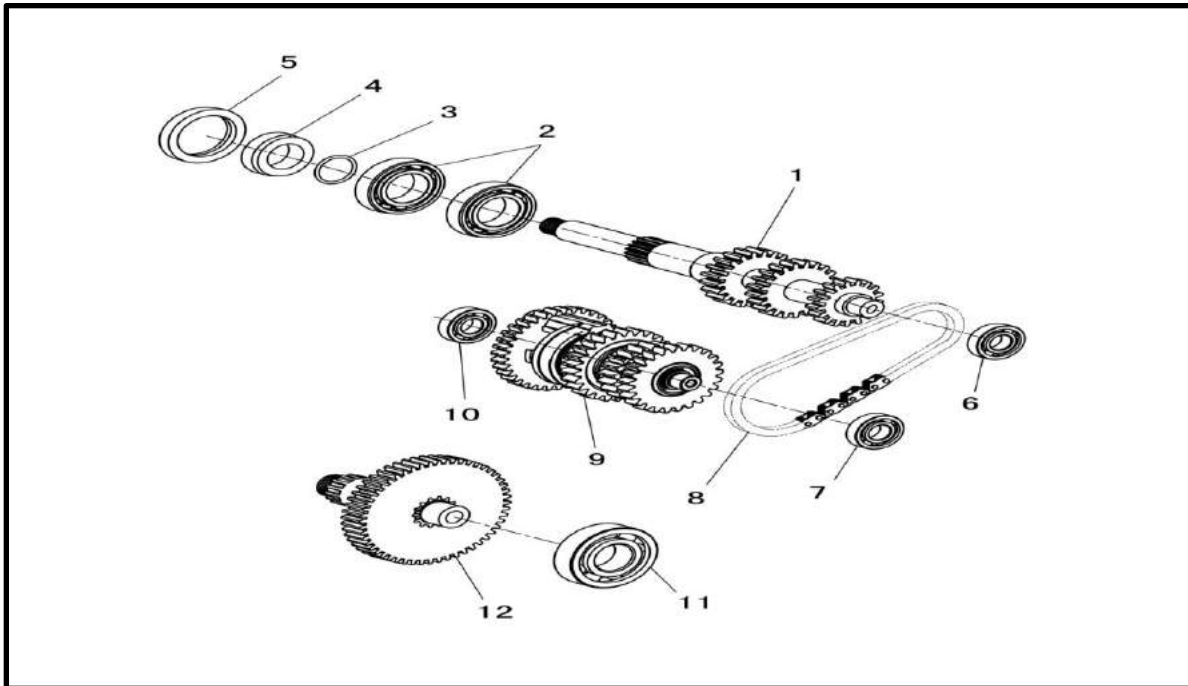
17	PJ00000911012200	Oil Seal 35×65×9
18	BGB893-80	Circlip For Hole Ø80
19	P004000171660000	Bracket Cvt Vent-Pipe
20	BGB9074.14-M6×16	Hexagon Head Bolt And Plain Washer Assemblies M6×16
21	PJ00000908020300	Pin Dowel 10×16
22	P004000113310000	Shield Bracket Clutch
23	BGB5789-M6×32	Hexagon Flange Bolts M6×32
24	BGB5789-M6×40	Hexagon Flange Bolts M6×40
25	BGB276-62012Z	Bearing 62012Z
26	PJ00000911011200	Oil Seal 12×32×6
27	P004000110320000	Press Plate Bracket Oil Seal
28	BGB5787-M6×12	Hexagon Flange Bolts M6×12
29	BGB5787-M10×1.25×16	Hexagon Flange Bolts M10×1.25×16
30	PJ00000906020300	Copper Washer 10×16×1
31	P012000365500000	Sensor Gear Shift Indicator
32	PJ00000912013800	O-Ring 29.6×2.4
33	P309001006300000	Guiding Tube Oil Level
	P309003006300000	Guiding Tube Oil Level

Crankcase Cover



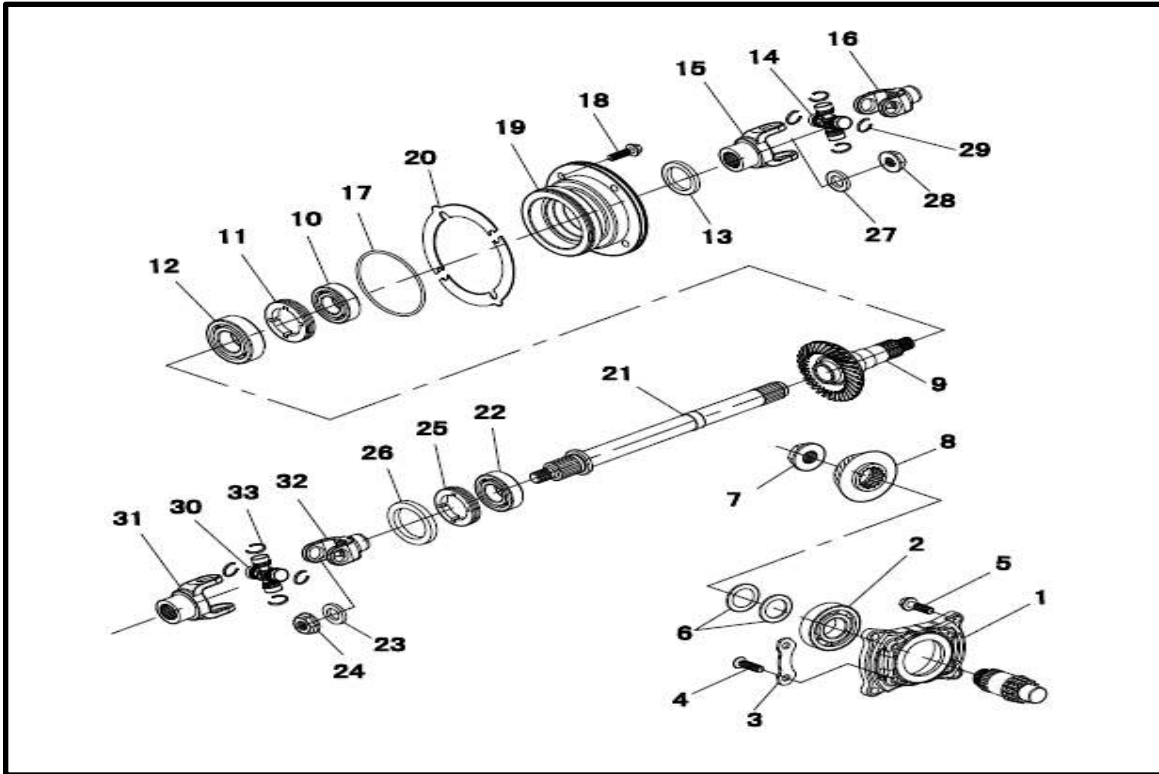
1	P004000114010000	Stator Case Cover
2	P004000114020000	Gasket, Stator Case Cover
3	P003000115030000	Damper
4	P003000115040000	Drain Plug Clutch Cover
5	PJ00000908020300	Pin Dowel 10×16
6	BGB5787-M6×30	Hexagon Flange Bolts M6×30
7	BGB93-6	Spring Washer Ø6
8	BGB5787-M6×40	Hexagon Flange Bolts M6×40
9	P004000110040000	Stator Wire Guard Plate
10	BGB5787-M6×12	Hexagon Flange Bolts M6×12
11	BGB276-60/28	Bearing 60/28
12	PJ00000911011300	Oil Seal 28×52×8.5
13	P002000931170000	Press Plate Oil Seal
14	BGB819.1-M5×12	Cross Recessed Countersunk Head Screw M5×12
15	P003000110020000	Small Peep Hole Cover
16	PJ00000912011400	O-Ring 13.4×2.35
17	P0040001151A0000	Cover Clutch Inner
18	P004000115110000	Seal Clutch Inner Cover I
19	P004000115120000	Seal Clutch Inner Cover II
20	BGB5789-M6×32	Hexagon Flange Bolts M6×32
21	P0040001152A0000	Cover Clutch Outer
22	P004000115230000	Seal Clutch Cover
23	BGB5789-M6×25	Hexagon Flange Bolts M6×25
24	BGB5789-M6×16	Hexagon Flange Bolts M6×16
25	BGB5789-M6×50	Hexagon Flange Bolts M6×50

Transmission



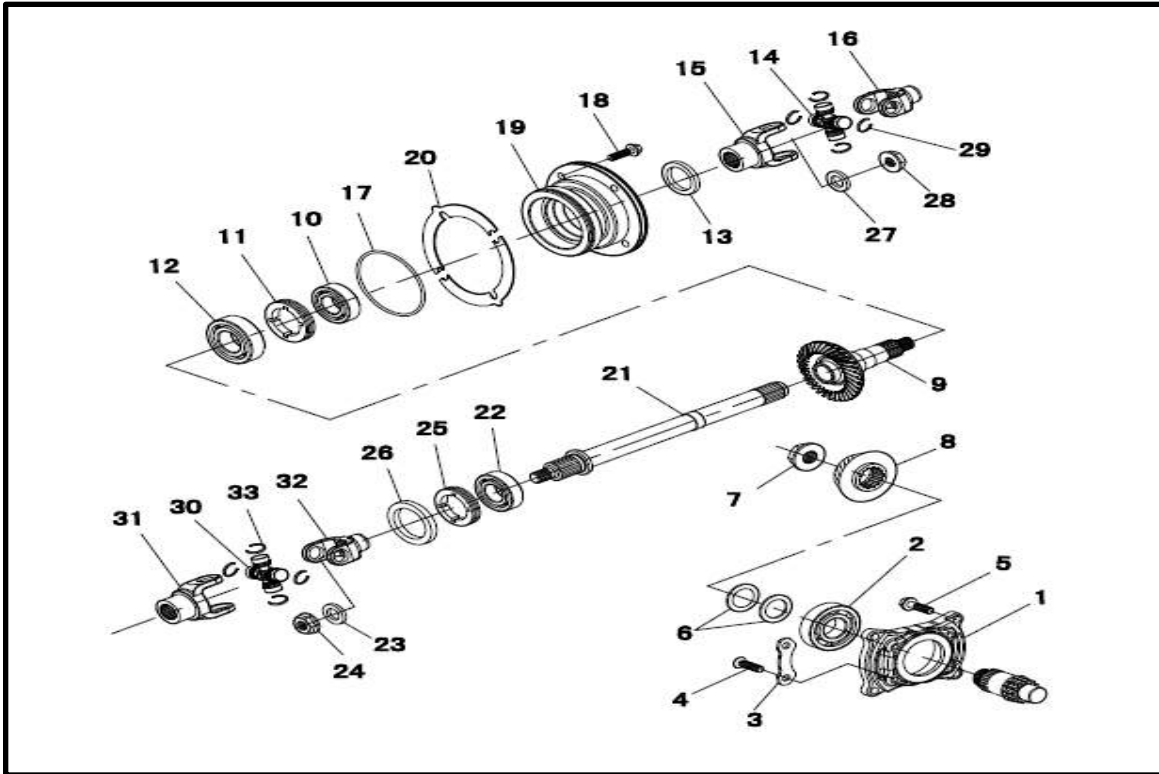
1	P004000222010000	Transmission Main Shaft
	P004000222010200	Transmission Main Shaft
2	BGB276-6006	Bearing 6006
3	PJ00000912013500	O-Ring 26.1×2.4
4	P003000211060000	Secondary Cvt Bushing
5	PJ00000911011400	Oil Seal 42×55×8
6	BGB276-6203	Bearing 6203
7	BGB276-6202	Bearing 6202
8	P004000223040000	Tooth Shaped Chains For R Gear
9	P004000222600000	Transmission Countershaft Assy
	P004000222600200	Transmission Countershaft Assy
10	BGB276-6203DLA8	Bearing 6203Dla8
11	BGB276-6303	Bearing 6303
12	P004000222800000	X Driveshaft Assy

Middle Drive Gear



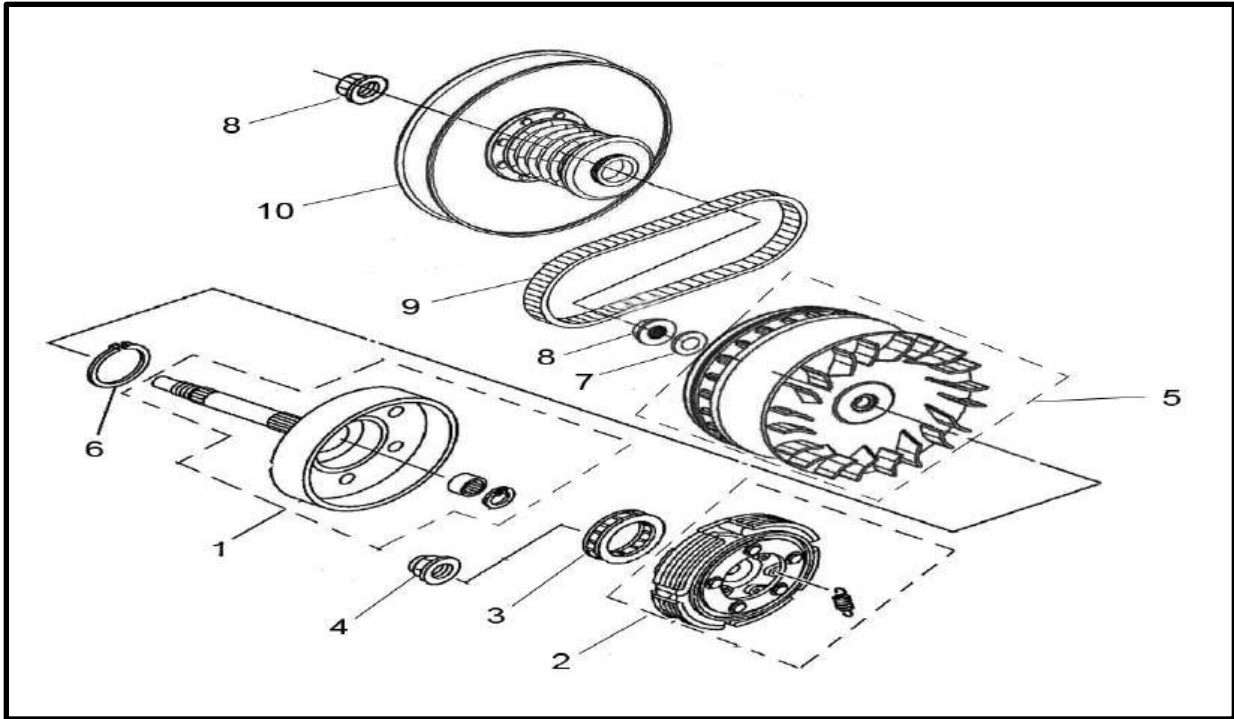
1	P004000112110000	X Shaft Bearing Block
2	BGB276-6305	Bearing 6305
3	P003000931160000	Press Plate X Shaft Bearing Block
4	BGB819.2-M8x25	Cross Recessed Countersunk Head Screw M8x25
5	BGB5787-M8x30	Hexagon Flange Bolts M8x30
6	PJ00000906002500	Spacer 26x38x0.4
7	PJ00000904021400	Hexagon Flange Nut M22x1
8	P004000224010000	Driving Bevel Gear
9	P004000224020000	Driven Bevel Gear
10	BGB276-63/22	Bearing 63/22
11	P004000111120000	External Thread Nut M60x1.5
12	BGB276-6207	Bearing 6207
13	PJ00000911011600	Oil Seal 30x46x8
14	PJ00000255000100	U-Joint Assy
15	P004D00224110022	Yoke A(Ø22)
16	PJ00000254000200	Yoke C(Ø22)
17	PJ00000912017300	O-Ring 88x2.8
18	BGB9074.14-M8x30	Hexagon Head Bolt And Plain Washer Assemblies M8x30
19	P004000111110000	Y Shaft Bearing Block
20	P004000111140100	Spacer 0.1 Bevel Gear
	P004000111140300	Spacer 0.3 Bevel Gear
	P004000111140500	Spacer 0.5 Bevel Gear
	P004000111140600	Spacer 0.6 Bevel Gear

Middle Drive Gear



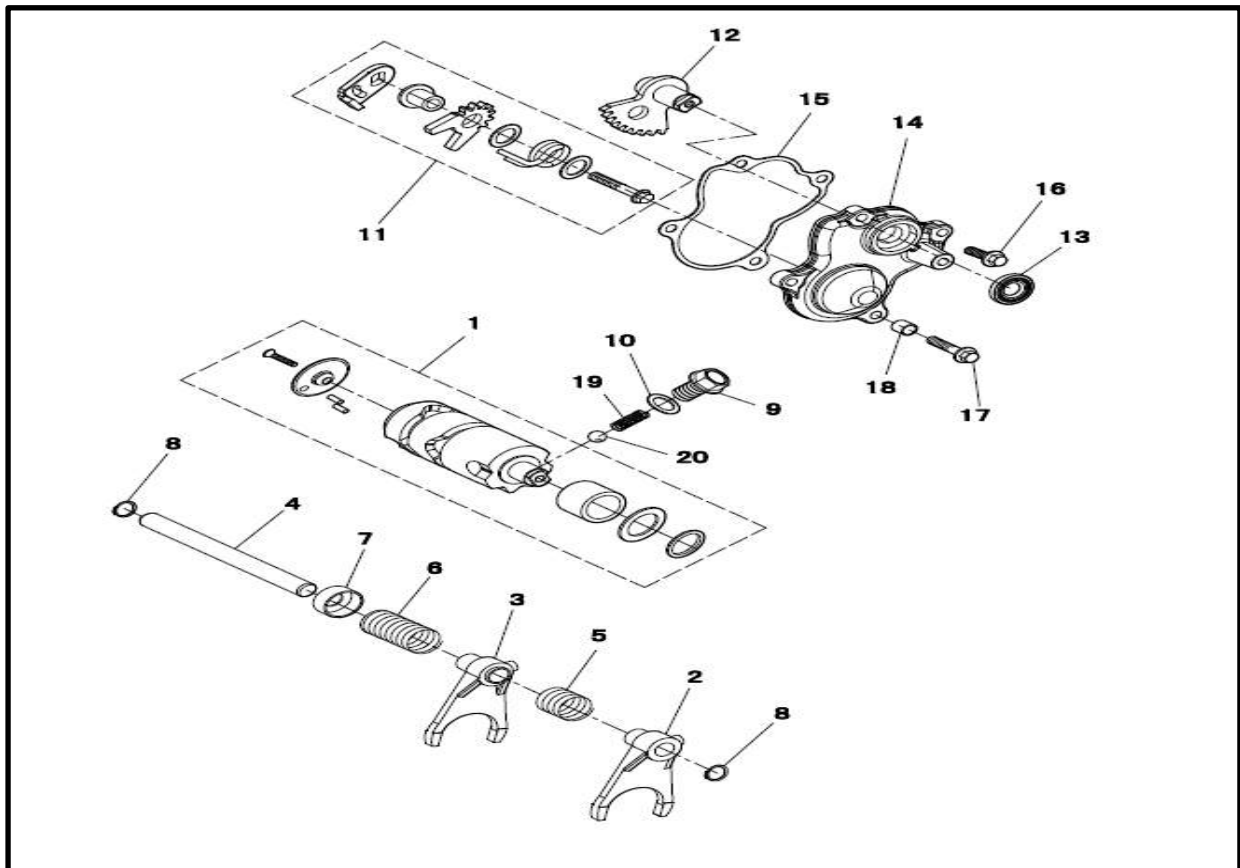
21	P004000224040000	Y Driveshaft
22	BGB276-6205	Bearing 6205
23	PJ00000906001400	Washer 14.5×32×5
24	BGB6187.2-M14	Self-Locking Nut M14×1.5
25	P003000111130000	External Thread Nut M55
26	PJ00000911012300	Oil Seal 44×60×7
27	PJ00000906003200	Washer 16.5×28×4
28	BGB6187.2-M16	Self-Locking Nut M16×1.5
29	BGB960-22	Snap Ring Ø22
30	PJ00000255000100	U-Joint Assy
	P004D002241B0020	U-Joint (∅20)
31	P010000224120022	Yoke B(∅22)
	P004D00224120022	Yoke B(∅22)
	P004D00224120020	Yoke B(∅20)
32	P004F00224110022	Yoke A(∅22)
	P004F00224110022	Yoke A(∅22)
	P004F00224110020	Yoke A(∅20)
33	BGB960-22	Snap Ring Ø22
	BGB960-20	Snap Ring Ø20

Clutch



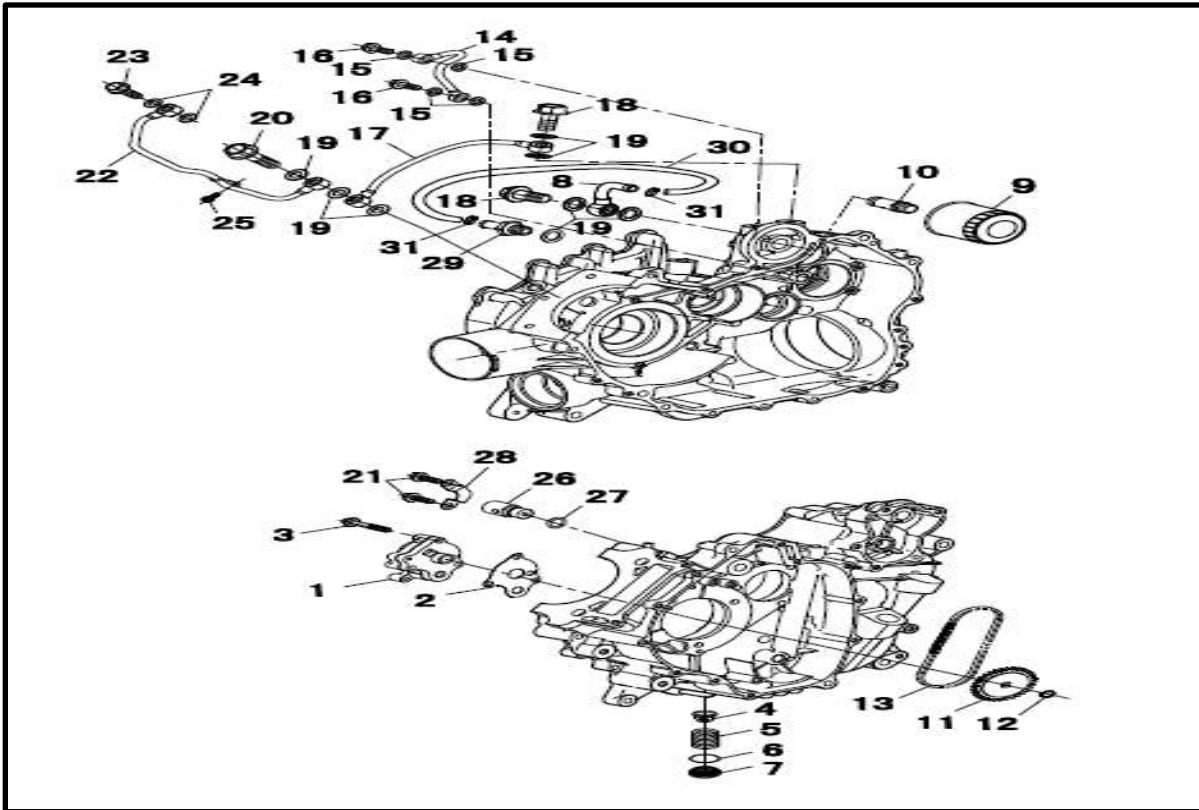
1	P0040002114A0000	Hub Assy Clutch
2	P0040002111A0000	Assy Wet Clutch
3	P0040002113A0000	Clutch One Way Bearing Assy
4	PJ00000904021400	Hexagon Flange Nut M22x1
5	P0040002116A0100	Primary Disc Assy
6	BGB894.1-52	Circlip For Shaft Ø52
7	PJ00000906001700	Washer 19.2x35x3.2
8	PJ00000904020700	Hexagon Flange Nut M16x1
9	P004000213000000	Cvt Belt
10	P004000212000000	Secondary Sheave Assy

Shift Cam Fork



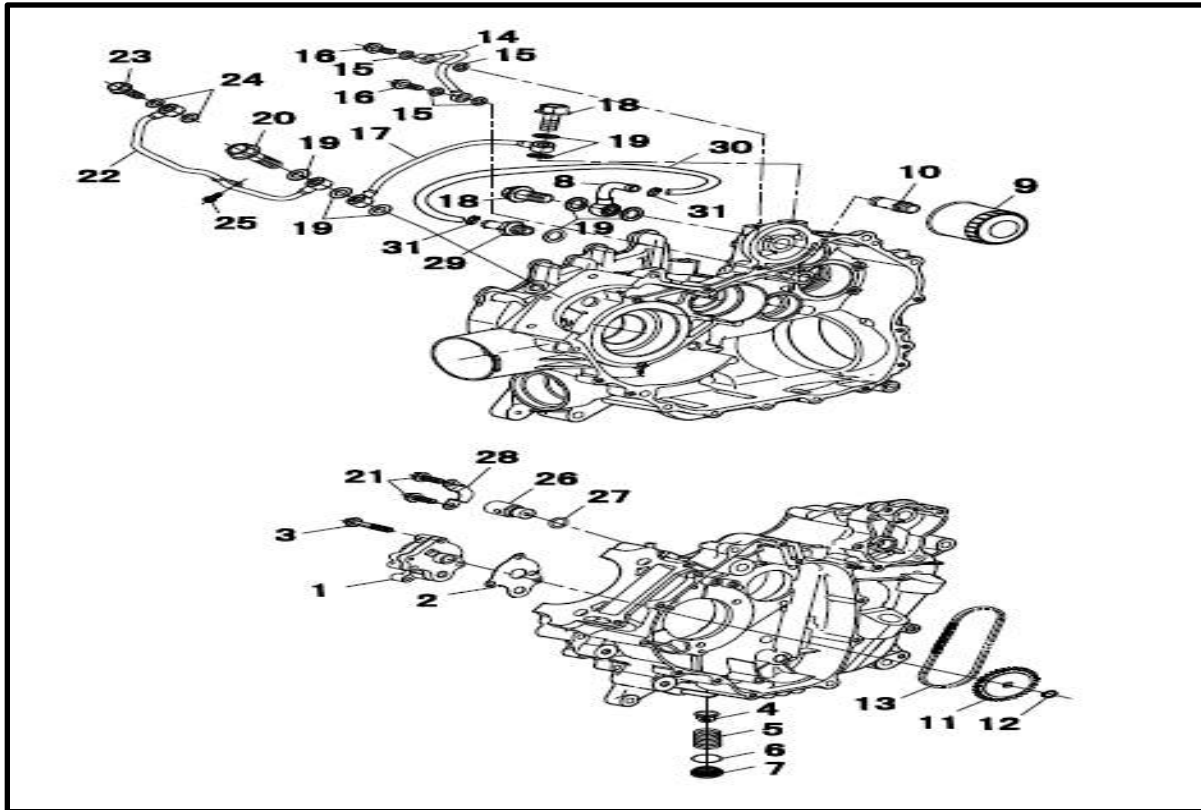
1	P004D00232000000	Drum Shift
2	P004000231010000	Shifting Fork I
3	P004000231020000	Shifting Fork II
4	P004000231310000	Shift Rail
5	P004000231070000	Spring, R Gear
6	P004000231050000	Spring HI Gear
7	P004000231060000	Spring Seat Shift Rail
8	BGB894.1-12	Circlip For Shaft Ø12
9	P003000233150000	Hollow Bolts M14x1.5x21
10	PJ00000906020700	Copper Washer 14x21x1
11	P0040002321A0001	Shift Mechanism Assy
12	P0120002332A0000	Fan Gear Shift Assy
13	PJ00000911011000	Oil Seal 15x25x5
14	P004000114210000	Shift shaft Cover
15	P004000114220000	Gasket Shift shaft Cover
16	BGB5787-M6x20	Hexagon Flange Bolts M6x20
17	BGB5787-M6x30	Hexagon Flange Bolts M6x30
18	PJ00000908020100	Pin Dowel 8x12
19	P002000233020000	Spring 24x1
20	BGB308-9.5	Steel Ball 9.5

Oil Pump



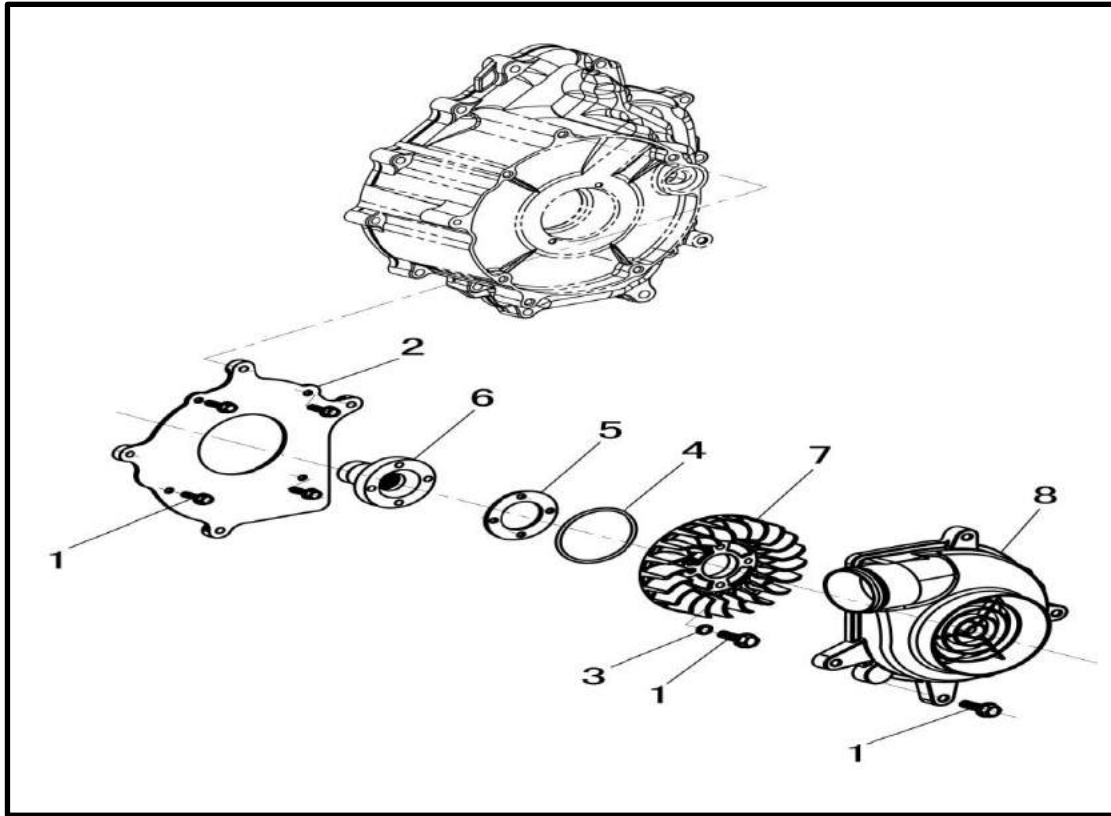
1	P004000151100100	Oil Pump Assy
2	P004000151010100	Gasket Oil Pump
3	BGB5787-M6x40	Hexagon Flange Bolts M6x40
4	P002000152030000	Oil Filter Strainer
5	P002000152040000	Filter Spring
6	PJ00000912014700	O-Ring 36x3.5
7	P002000111070000	Blind Nut Oil Drainage
8	P0040001535A0000	Oil Tube Welding Assy D
9	P003000152000000	Oil Filter
10	P003000152010000	Filter Adapter
11	P004000151160000	Oil Pump Driven Sprocket
12	BGB894.1-11	Circlip For Shaft Ø11
13	P004000150030000	Chain Oil Pump
14	P0040001532A0000	Oil Tube Welding Assy A
15	PJ00000906010300	Aluminum Washer 8x15x2

Oil Pump



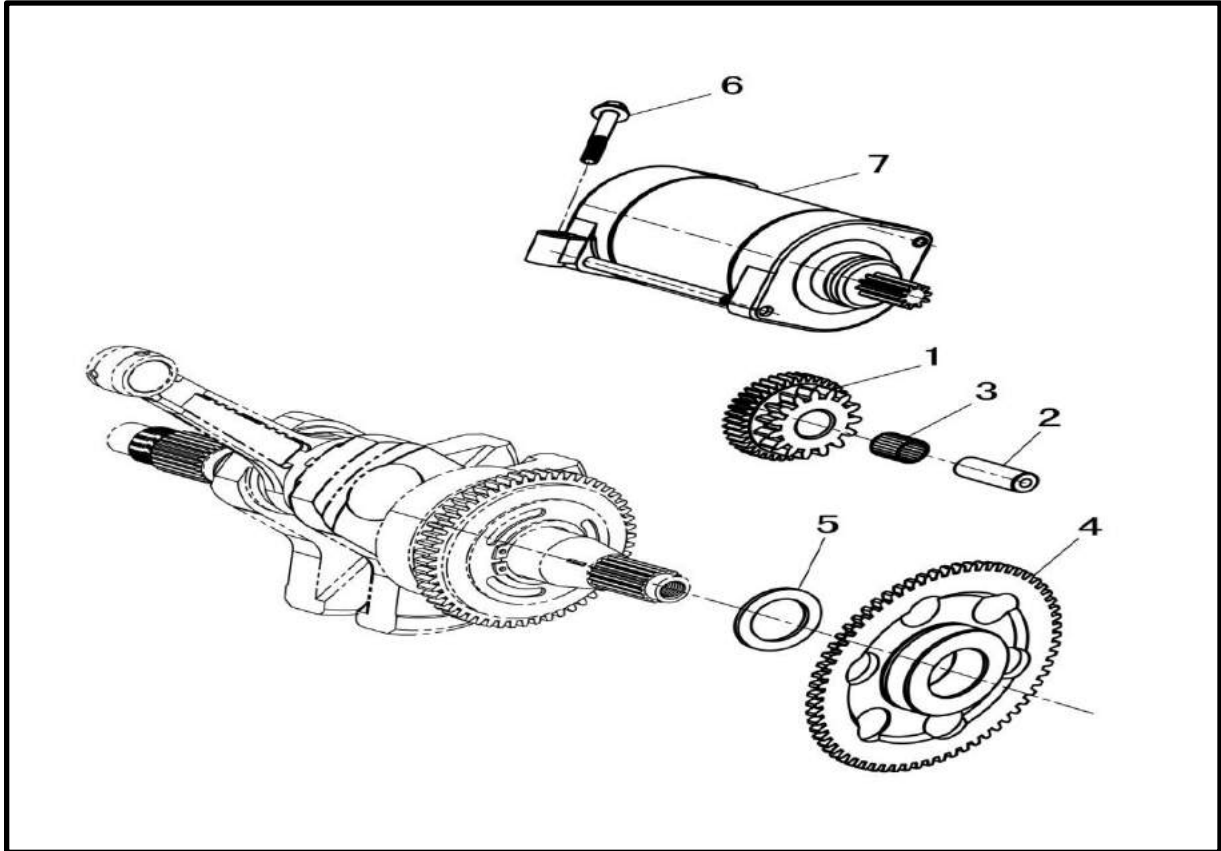
16	P004000153010000	Bolts For Oil Tube M8×25
17	P0040001533A0000	Oil Tube Welding Assy B
18	P004000153030000	Bolts For Oil Tube M14×1.5×28
19	PJ00000906010900	Aluminum Washer 14×22×1.5
20	P004000153040000	Bolts For Oil Tube M14×1.5×50
21	BGB5787-M6×14	Hexagon Flange Bolts M6×14
22	P0160001534A0000	Oil Tube Welding Assy C
23	P004000153020000	Bolts For Oil Tube M10×1.25×30
24	PJ00000906010400	Aluminum Washer 10×16×1.2
25	BGB5787-M6×12	Hexagon Flange Bolts M6×12
26	P0040001536A0000	Pressure Regulating Valve Assy Engine Oil
27	PJ00000912010800	O-Ring 10×2.45
28	P004000153650000	Press Plate Pressure Regulating Valve
29	P003000111050000	Oil Pipe Joint
30	P003G00153071830	Rubber Oil Pipe 1830
	P010000153071280	Rubber Oil Pipe 1280
31	PJ000009073000000	Hose Clamp Assy Ø12~Ø20

Clutch Fan



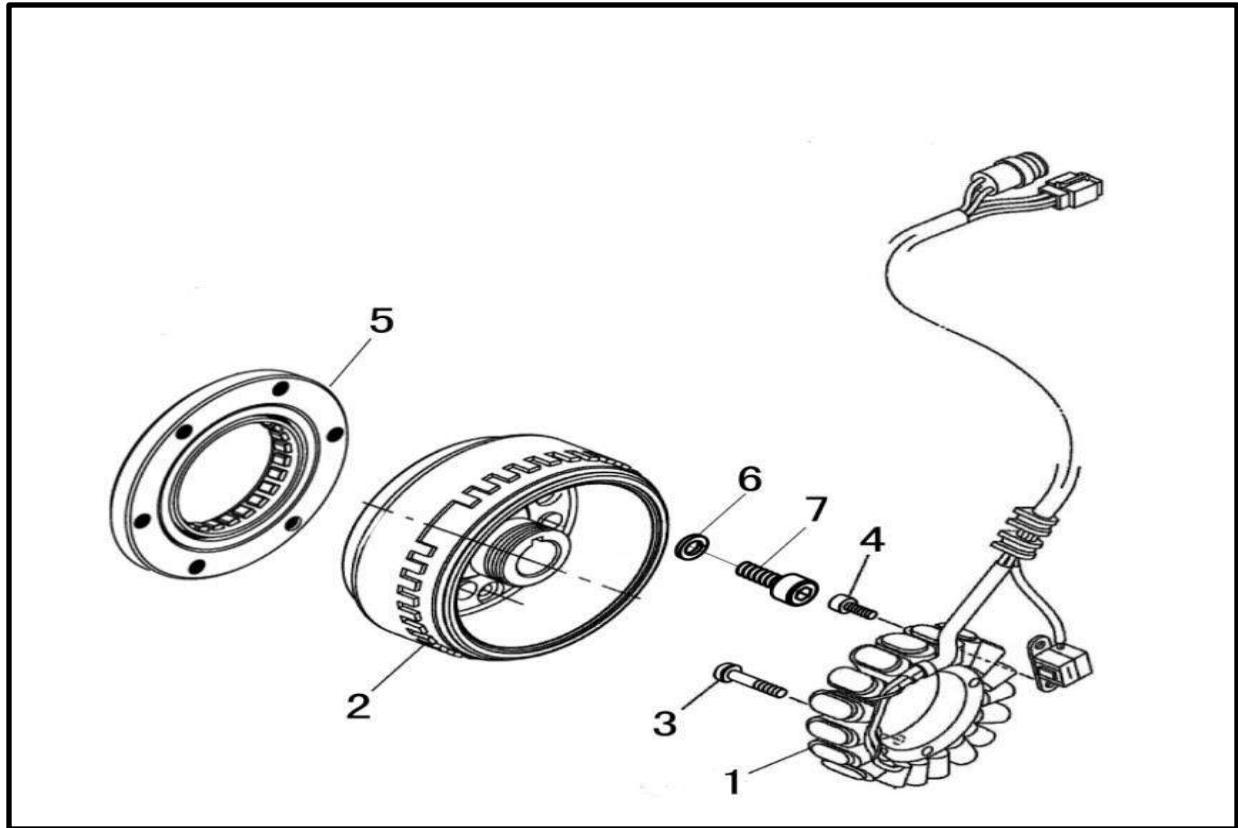
1	BGB5789-M6×20	Hexagon Flange Bolts M6×20
2	P004000191030000	Baseplate
3	PJ00000906002900	Washer 6×11×1.5
4	PJ00000912016600	O-Ring 64.4×3.1
5	P004000191040000	Fan Strongback
6	P004000244100000	Starting Driven Pulley
7	P004000191020000	Impeller
8	P004000191010000	Fan Cowl

Starter



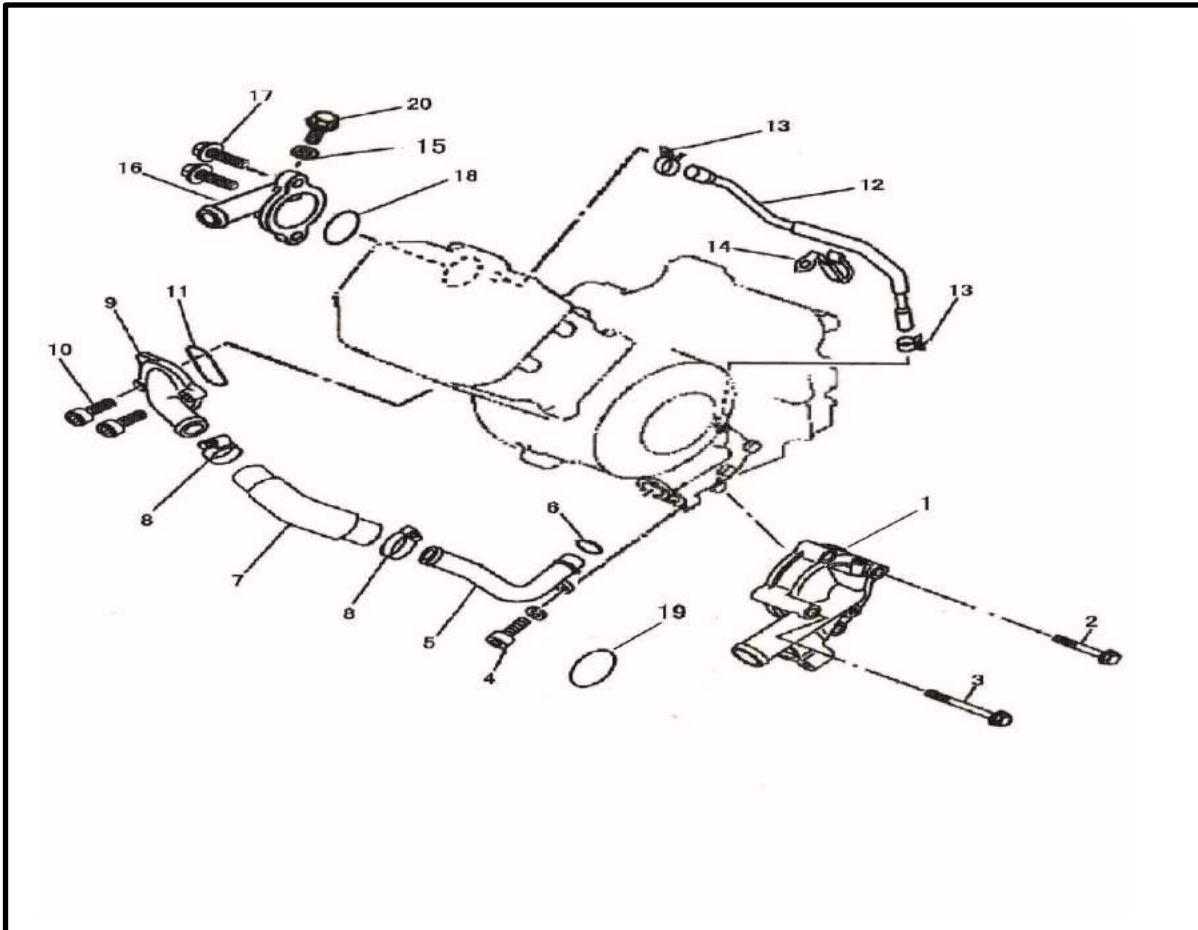
1	P004000245030000	Starter Idler Gear
	P033000245030000	Starter Idler Gear
2	P004000245040000	Idler Gear Shaft
3	P121618937000000	Needle Bearing Kbk121618
4	P0040002440A0000	Starter Disk Gear Assy
	P0330002440A0000	Starter Disk Gear Assy
5	PJ00000906001100	Washer 25×39×1
6	BGB5787-M6×30	Hexagon Flange Bolts M6×30
7	P007000312000000	Starter Motor Assy
	P004000312000000	Starter Motor Assy

Generator



1	P004000311200000	Generator Stator Assy
	P007G00311200000	Generator Stator Assy
	P007G00311200200	Generator Stator Assy
2	P004000311100100	Generator Rotor Assy
	P004000311100200	Generator Rotor Assy
3	BGB9074.14-M6×30	Hexagon Head Bolt And Plain Washer Assemblies M6×30
4	BGB70-M5×12	Hexagon Socket Head Cap Screws M5×12
5	P004000243100000	One Way Bearing Starter
6	BGB93-8	Spring Washer Ø8
7	BGB70-M8×16	Hexagon Socket Head Cap Screws M8×16
8	BGB93-5	Spring Washer Ø5

Water Pump



1	P004000197000100	Water Pump Assy
2	BGB5787-M6×45	Hexagon Flange Bolts M6×45
3	BGB5787-M6×65	Hexagon Flange Bolts M6×65
4	BGB5787-M6×16	Hexagon Flange Bolts M6×16
5	P004000190070000	Water Pipe II
	P004000190070100	Water Pipe II
6	PJ00000912013000	O-Ring 20.7×2.6
7	P004000190080000	Hose Cylinder Water In
	P004000190080010	Hose Cylinder Water In
8	PJ00000907300300	Hose Clamp Assy $\varnothing 20 \sim \varnothing 32$
9	P004000190050000	Hose Joint Cylinder Water Out
10	BGB5787-M6×20	Hexagon Flange Bolts M6×20
11	PJ00000912014300	O-Ring 33.4×2.4
12	P004000190060000	Water Pipe I
13	PJ00000907100200	Clip ($\varnothing 9$)
14	P004000110060000	Pipe Clamp I
15	PJ00000906010100	Aluminum Washer 6×12×1.5
16	P004000190090000	Cover Thermostat
17	BGB5787-M6×20	Hexagon Flange Bolts M6×20
18	P004000194110000	Seal Thermostat Cover
19	PJ00000912014500	O-Ring 34.2×2.5