



LIFAN

Parts Catalog LF125-AR

2019 Edition



UNIVERSAL

HARDWARE®

Box 585, Center Road
Spanish Lookout
Tel 501 823 0254
sales@universalhardware.bz

3380 Chetumal Street
Belize City
Tel 501 224 4140
salesbz@universalhardware.bz



ML100-A



LF110-7A



LF1200DT



ML125-5



ML125-7



LF150T-12C



LF125-AR



LF150-7



LF200GY-4



LF250GY-4



LF150-10F



LF150-10S



ML200-16D



ML250-4



ML200ZH-3

F-01 前照灯总成 HEADLIGHT ASSY



12581-1	Headlight Assy	
12581-2	Bulb 12v-10w	
12581-3	Bulb 12v-5w	
12581-4	Bulb 12v-35w	

F-02 仪表总成 METER ASSY



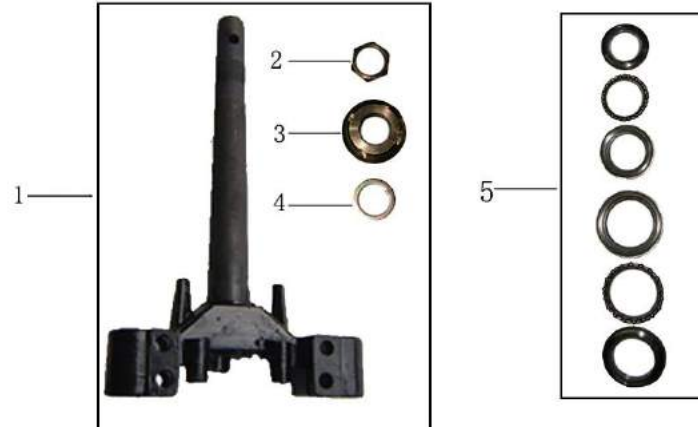
12582-1	Meter Assy	
12582-2	Bulb 12v-1.7w	
12582-3	Odometer Cable Comp	
12582-4	Throttle Cable	
12582-5	Choke Cable	
12582-6	Seat Lock Cable	

F-03 方向把 后视镜 STEERING HANDLE & REARVIEW MIRROR



12583-1	Left Mirror Rearview	
12583-2	Right Mirror Rearview	
12583-3	Steering Handle Weight Set	
12583-4	Left Grip	
12583-5	Throttle Cable Seat Set	
12583-6	Steering Handle Pipe	
12583-7	Throttle Grip Comp	

F-04 方向柱 STEERING STEM



12584-1	Steering Stem Set	
12584-2	Locknut	
12584-3	Adjusting Nut	
12584-4	Lock Washer	
12584-5	Steering Stem Bearing Set	



12585-1	Headlight Housing - Green	
12585-1	Headlight Housing - Silber	
12585-2	Meter Case	
12585-3	Lighting Switch	
12585-4	Starter Switch	
12585-5	Dimmer Switch	
12585-6	Winker Switch	
12585-7	Horn Switch	
12585-8	Front Cowl	
12585-9	Mid Guard	



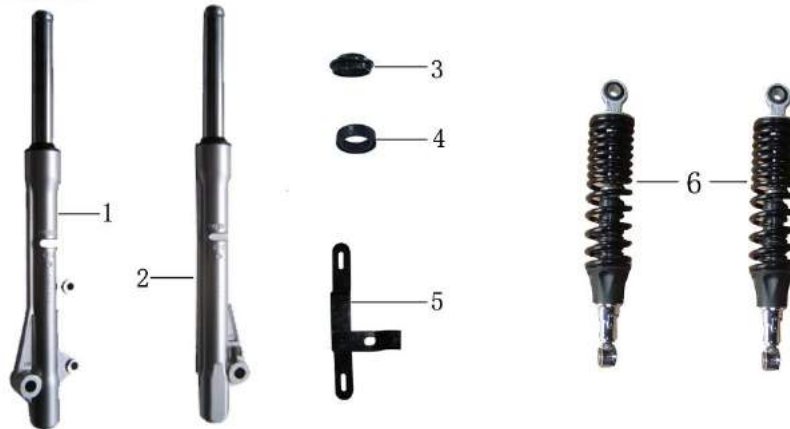
12586-1	Windshield RH - Green	
12586-1	Windshield RH - Silver	
12586-2	Lining Windshield RH	
12586-3	Windshield Stay	
12586-4	Lining Windshield LH	
12586-5	Windshield LH - Green	
12586-5	Windshield LH - Silver	

F-07 前挡泥板 FRONT FENDER



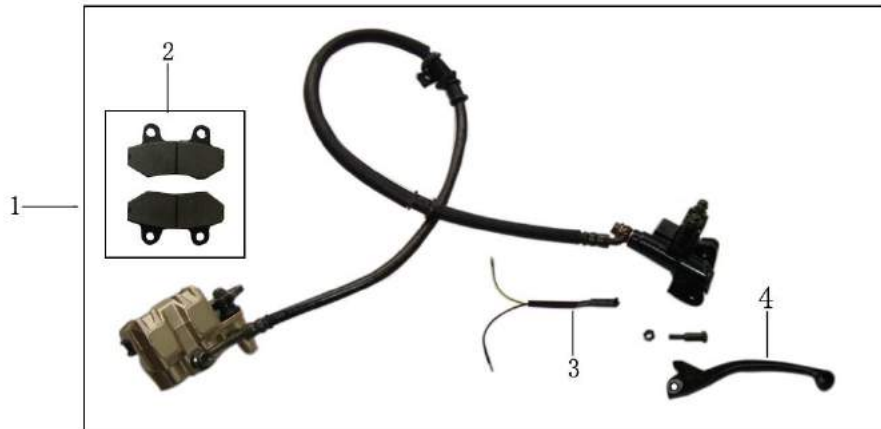
12587-1	Front RH Fender Hood RH - Green	
12587-1	Front RH Fender Hood RH - Silver	
12587-2	Front Fender Hood LH - Green	
12587-2	Front Fender Hood LH - Silver	
12587-3	Front Fender - Green	
12587-3	Front Fender - Silver	
12587-4	Hoop Cable	

F-08 前减震器 SHOCK ABSORBER



12588-1	Front Shock Absorber RH	
12588-2	Front Shock Absorber LH	
12588-3	Dust Seal	
12588-4	Oil Seal 24.5x37x10.5	
12588-5	Front License Steady	
12588-6	Rear Shock Absorber Assy	

F-09 前液压制动器 FRONT BRAKE



12589-1	Front Hydraulic Brake Assy	
12589-2	Front Brake Shoe Set	
12589-3	Front Brake Switch	
12589-4	Front Brake Lever	



125810-1	Tube (2.50-17-4PR)	
125810-2	Tyre (2.50-17-4PR)	
125810-3	Frant Break Disk	
125810-4	Front Wheel Hub Set	
125810-5	Front Axle	
125810-6	Front Wheel Bush RH	
125810-7	Lock Nut M10x1.25	
125810-8	Speedometer Drive Claw	
125810-9	Front Wheel Dust Ring LH	
125810-10	Speedometer Gear Box	



125811-1	Rear Brake	
125811-2	Rear Brake Shoe Set	
125811-3	Tube 3.00-16-4PR	
125811-4	Tire 3.00-16-4PR	
125811-5	Rear Wheel Hub	
125811-6	Rear Wheel Bush LH	
125811-7	Rear Wheel Hub	
125811-8	Sprocket	
125811-9	Rear Wheel Damper Set	
125811-10	Nut M12×1.25	
125811-11	Rear Wheel Bush RH	
125811-12	Rear Axle	



125812-1	Tool Box Cover	
125812-2	Tool Box	
125812-3	Seat Assy	
125812-4	Tool Kit	
125812-5	Tool Box Grommet	

F-13 油箱总成 FUEL TANK



125813-1	Fuel Sensor	
125813-2	Fuel Tank Weldment	
125813-3	Fuel Filler Cap Comp	
125813-4	Fuel Filter	

F-14 空气滤清器总成 AIR CLEANER



125814-1	Air Cleaner Comp	
125814-2	Air Cleaner Gauze	
125814-3	Air Cleaner Element	

F-15 排气消声器总成 EXHAUST MUFFLER ASSY



125815-1	Muffler Assy	
125815-2	Exhaust Pipe Gasket	
125815-3	Exhaust Muffler Cover	
125815-4	Exhaust Pipe Guard	

F-16 后围板 REAR COVER



125816-1	Rear Skirt Guard RH	
125816-2	Rear Skirt Guard LH	
125816-3	Rear Panel RH - Green	
125816-4	Rear Panel RH - Silver	
125816-5	Plate Rear-Mid Connecting	
125816-6	Rear Panel LH - Green	
125816-7	Rear Panel LH - Silver	

F-17 后挡泥板 REAR FENDER



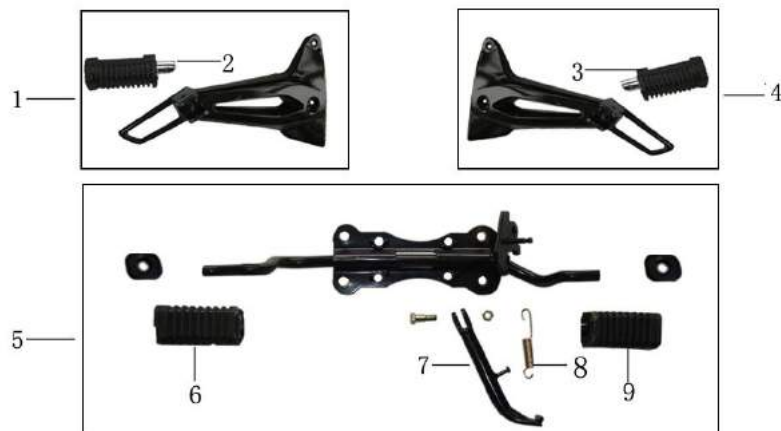
125817-1	Rear Fender	
125817-2	Rear License Steady	

F-18 后货架焊接组合 REAR CARRIER



125818-1	Rear Carrier Weldment	
125818-2	Front Cargo Basket	
125818-3	Middle Carrier	
125818-4	Support Front Cargo Basket	
125818-5	Rear Handrail	

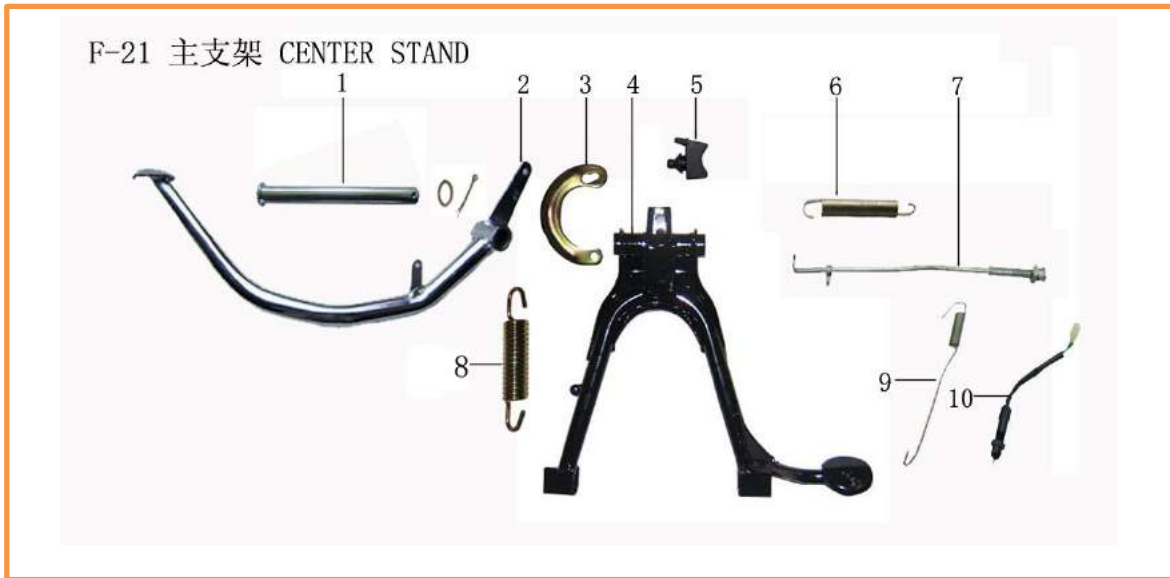
F-19 搁脚组合 FOOTREST ASSY



125819-1	Rear Footrest Assy LH	
125819-2	Rear Footrest LH	
125819-3	Rear Footrest RH	
125819-4	Rear Footrest Assy RH	
125819-5	Front Footrest Assy	
125819-6	Front Footrest Rubber Sleeve RH	
125819-7	Side Stand Comp	
125819-8	Side Stand Spring	
125819-9	Front Footrest Rubber Sleeve LH	

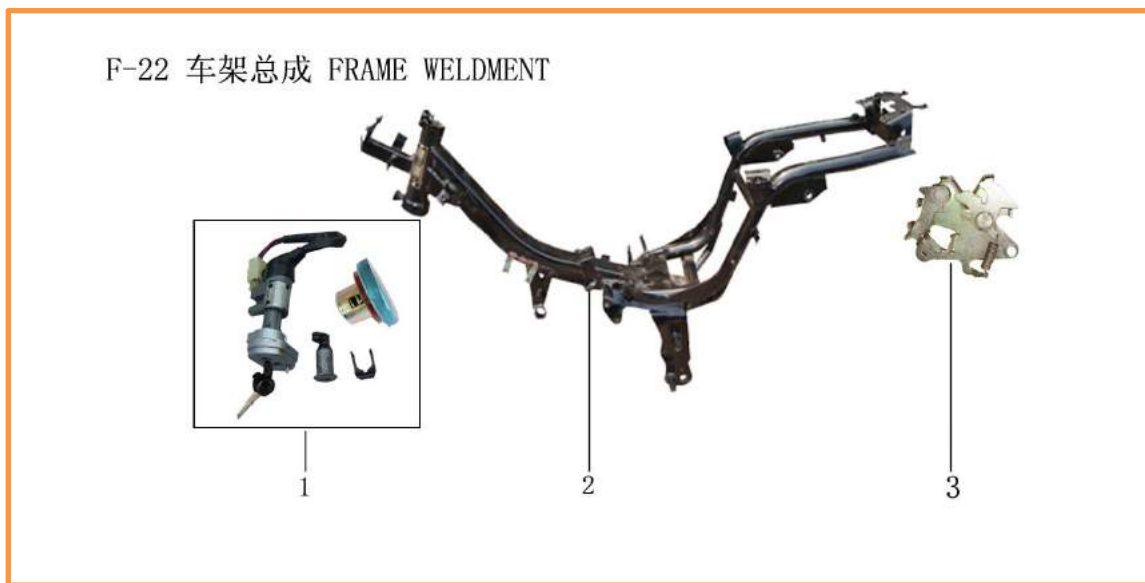


125820-1	Rear Fork Comp	
125820-2	Rear Axle	
125820-3	Rear Fork Bush	
125820-4	Chain Guard	
125820-5	Chain Adjuster Comp	
125820-6	Drive Chain08MBx102	
125820-7	Chaincase	



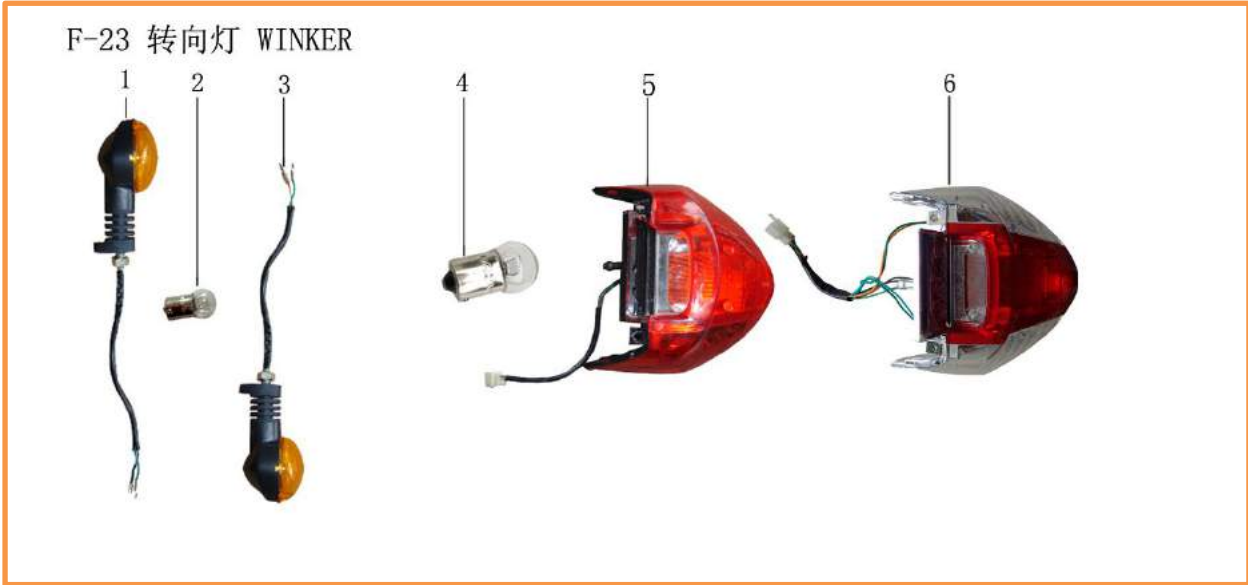
125821-1	Center Stand Axle	
125821-2	Rear Brake Pedal Comp	
125821-3	Center Stand Spring Hanger	
125821-4	Center Stand	
125821-5	Center Stand Rubber	
125821-6	Rear Brake Pedal Spring	
125821-7	Rear Brake Link Comp	
125821-8	Center Stand Spring	
125821-9	Rear Brake Switch Spring	
125821-10	Rear Brake Switch	

F-22 车架总成 FRAME WELDMENT



125822-1	Lock Assy	
125822-2	Frame Weldment Assy	
125822-3	Seat Lock Body Comp	

F-23 转向灯 WINKER



125823-1	Rear Winker RH	
125823-2	Bulb 12V-10W	
125823-3	Rear Winker LH	
125823-4	Bulb 12V-5/21W	
125823-5	Taillight Assy	
125823-6	Taillight Assyll	

F-24 电器 ELECTRICAL ELEMENTS



125824-1	Ignition Controller	
125824-2	Ignition Coil	
125824-3	Voltage Rectifier	
125824-4	Starting Relay	
125824-5	Main Cable	
125824-6	Battery 12V6.5Ah	
125824-7	Flashing Relay	
125824-8	Horn	

1P52FMI

Engine Parts

LF125-AR



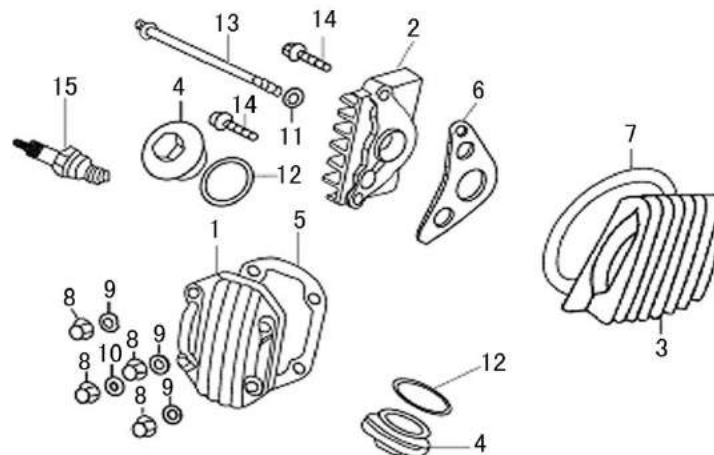
UNIVERSAL

H A R D W A R E®

Box 585, Center Road
Spanish Lookout
Tel 501 823 0254
sales@universalhardware.bz

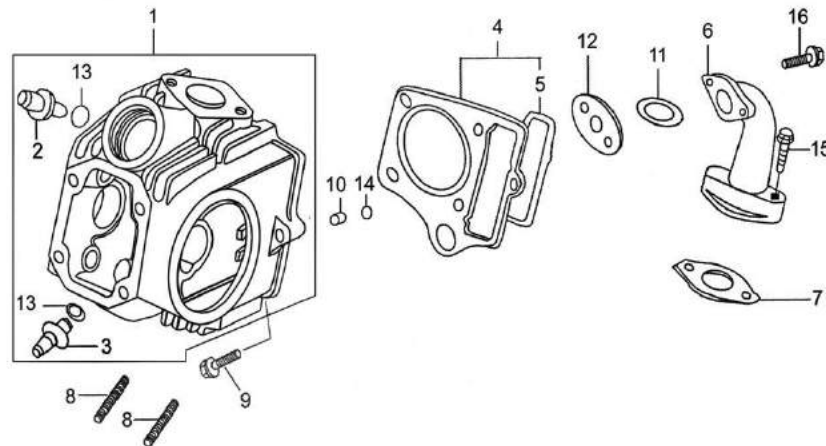
3380 Chetumal Street
Belize City
Tel 501 224 4140
salesbz@universalhardware.bz

E-1 气缸头盖COVER OF CYLINDER HEAD



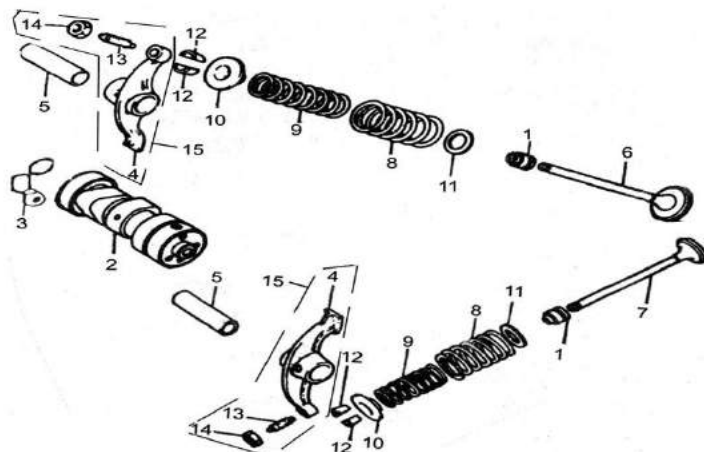
15281-1	Cylinder Head Cover	
15281-2	Cylinder Head Cover,RH	
15281-3	Cylinder Head Cover,LH	
15281-4	Valve Cover	
15281-5	Cylinder Head Cover Gasket	
15281-6	Cylinder Head Cover Gasket,RH	
15281-7	Cylinder Head Cover Gasket, LH	
15281-8	Cap Nut	
15281-9	Cylinder Bolt Steel Washer	
15281-10	Cylinder Bolt Copper Washer	
15281-11	Cylinder Head Cover Washer ,RH	
15281-12	Valve Cover O-Ring	
15281-13	Bolt M6×110	
15281-14	Bolt M6×20	
15281-15	Spark Plug ((NGK C7HSA)	

E-2-1 气缸头 CYLINDER HEAD



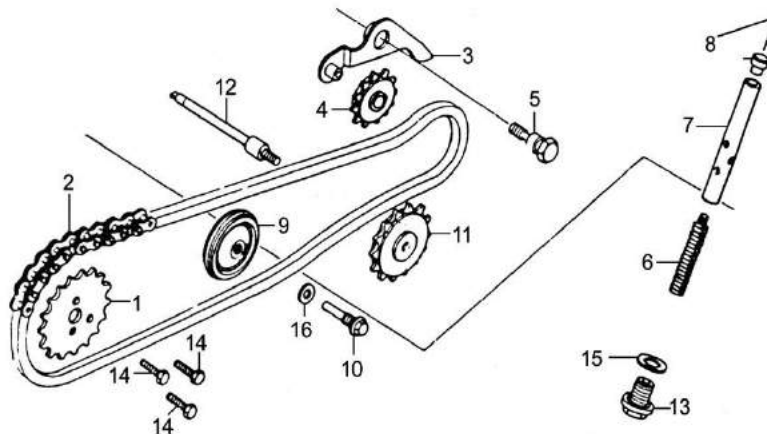
15282-1	Cylinder Head Comp.	
15282-2	Intake Valve Guide	
15282-3	Exhaust Valve Guide	
15282-4	Cylinder Head Gasket	
15282-5	Chain Chamber Gasket Comp.	
15282-6	Inlet Pipe	
15282-7	Inlet Pipe Gasket	
15282-8	Stud Bolt M6x35	
15282-9	Bolt M6x23	
15282-10	Cylinder Block Oil Bush	
15282-11	Inlet Pipe O-Ring	
15282-12	Inlet Pipe Insulator	
15282-13	Guide O-Ring	
15282-14	Cylinder Block Rectangular Gasket	
15282-15	Bolt M6x28	
15282-16	Bolt M6x22	

E-3 凸轮轴、气门 CAMSHAFT & VALVES



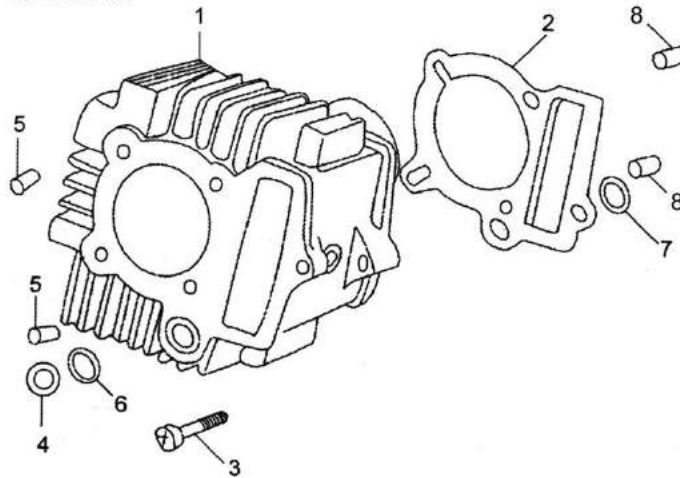
15283-1	Valve Stem Oil Seal	
15283-2	Camshaft Assy	
15283-3	Caging Plate	
15283-4	Valve Rocker Arm	
15283-5	Rocker Arm Shaft	
15283-6	Intake Valve	
15283-7	Exhaust Valve	
15283-8	Valve Outer Spring	
15283-9	Valve Inner Spring	
15283-10	Valve Spring Upper Seat	
15283-11	Valve Outer Spring Seat	
15283-12	Valve Split Cone	
15283-13	Valve Gap Adjusting Screw	
15283-14	Valve Clearance Adjusting Nut	
15283-15	Rocker Arm Assy	

E-4 正时链条、张紧器 TIMING CHAIN & TENSIONER



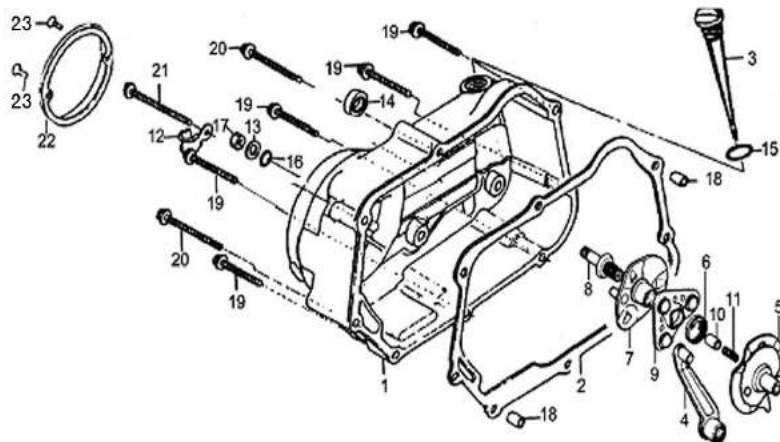
15284-1	Timing Driven Sprocket	
15284-2	Timing Chain	
15284-3	Tensioning Arm	
15284-4	Tensioning Roller	
15284-5	Tensioning Plate Screw	
15284-6	Tension Rod Spring	
15284-7	Adjusting Rod	
15284-8	Tensioning Rod Head	
15284-9	Guide Wheel	
15284-10	Pivot	
15284-11	Oil Pump Driving Sprocket	
15284-12	Drive Sprocket Shaft	
15284-13	Tensioner Plug	
15284-14	Bolt M5x12	
15284-15	Tensioner Gasket	
15284-16	Washer	

E-5 气缸 CYLINDER



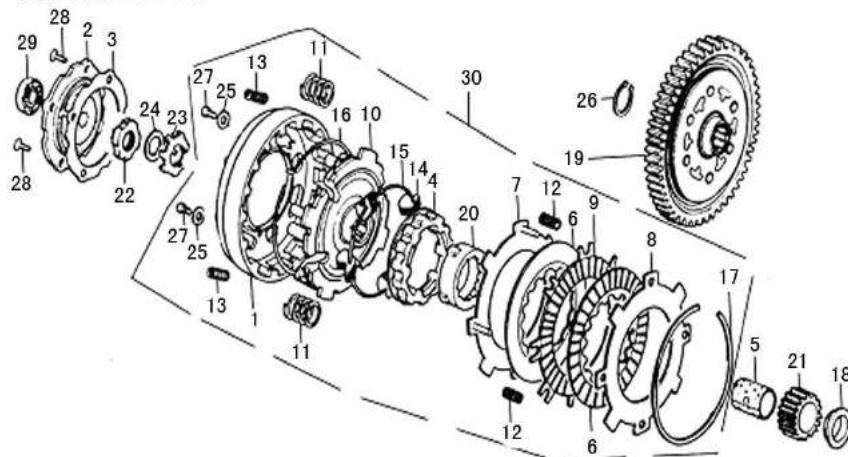
15285-1	Cylinder Block	
15285-2	Cylinder Block Gasket	
15285-3	Bolt M6×23	
15285-4	Cylinder Block Washer	
15285-5	Cylinder Head Dowel Pin	
15285-6	Rectangular Gasket	
15285-7	Rectangular Gasket II	
15285-8	Dowel Pin	

E-6 右曲轴箱盖RIGHT CRANKCASE COVER



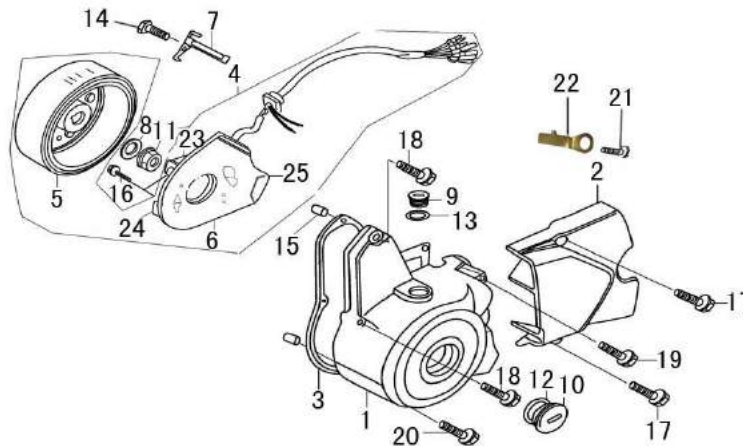
15286-1	Crankcase Cover,RH	
15286-2	Crankcase Cover Gasket,RH	
15286-3	Dipstick	
15286-4	Auto-Clutch Arm Comp.	
15286-5	Clutch Cam Plate Comp.	
15286-6	Auto-Clutch Cam Plate Spring	
15286-7	Clutch Separating Disc Comp.	
15286-8	Adjusting Bolt	
15286-9	Clutch Tappet Comp.	
15286-10	Crankshaft Oil Bush	
15286-11	Crankshaft Oil Pipe Spring	
15286-12	Ignition Coil Wire Clamp	
15286-13	Auto-Clutch Adjusting Bolt Washer	
15286-14	Oil Seal	
15286-15	O-Ring	
15286-16	O-ring	
15286-17	Nut M8	
15286-18	Dowel Pin	
15286-19	Bolt M6x40	
15286-20	Bolt M6x65	
15286-21	Bolt M6x80	
15286-22	Small Lid, RH	
15286-23	Screw M5x12	

E-7 离合器CLUTCH



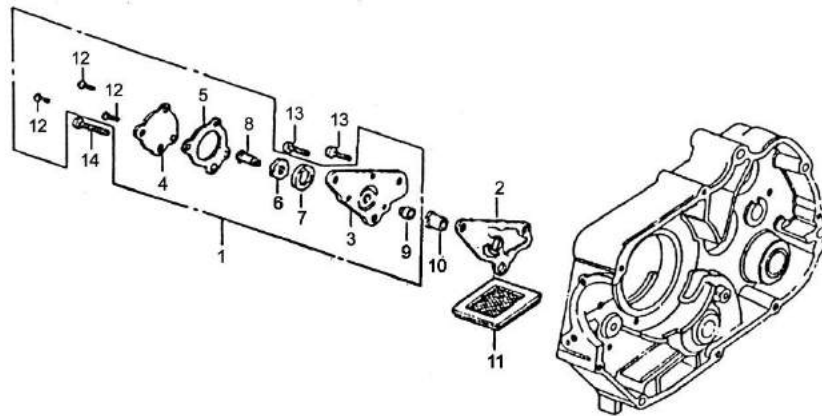
15287-1	Clutch Casing	
15287-2	Auto-Clutch Panel	
15287-3	Auto-Clutch Panel Seal	
15287-4	Auto-Clutch Driven Disc	
15287-5	Primary Drive Gear Bush	
15287-6	Driven Plate Set	
15287-7	Drive Plate Set I	
15287-8	Drive Plate Set III	
15287-9	Drive Plate Set II	
15287-10	Auto-Clutch Drive Disc	
15287-11	Auto-Clutch Spring	
15287-12	Auto-Clutch Sperating Spring	
15287-13	Auto-Clutch Damping Spring	
15287-14	Clutch Shoe Comp.	
15287-15	Clutch Shoe Spring	
15287-16	Auto-Clutch Drive Disc Retainer	
15287-17	Circlet	
15287-18	Washer	
15287-19	Primary Driven Gear Comp.	
15287-20	One-Way Clutch Driving Sleeve	
15287-21	Primary Drive Gear	
15287-22	Primary Drive Gear Locknut	
15287-23	Primary Drive Gear Thrust Washer	
15287-24	Washer	
15287-25	Drive Disc Washer	
15287-26	Starting Shaft Snap Ring II	
15287-27	Screw M5x10	
15287-28	Screw M5x10	
15287-29	Bearing 6000	
15287-30	Auto-Clutch Assy	

E-8 左曲轴箱盖、磁电机 LEFT CRANKCASE COVER & MAGNETO



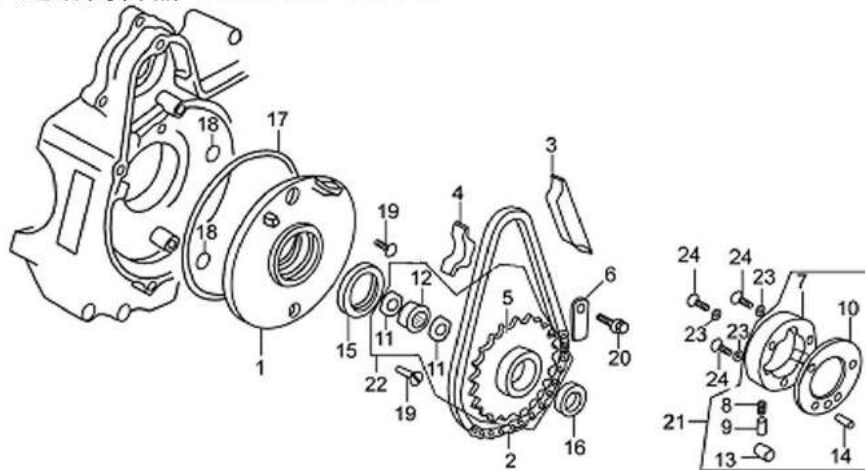
15288-1	Crankcase Cover, LH	
15288-2	Rear Cover, LH	
15288-3	Crankcase Cover Gasket,LH	
15288-4	Magneto Assy	
15288-5	Magneto Rotor Comp.	
15288-6	Magneto Stator Comp.	
15288-7	Magneto Wire Clamp	
15288-8	Thrust Washer	
15288-9	View Hole Plug	
15288-10	Plug	
15288-11	Magneto Locknut	
15288-12	O-ring	
15288-13	Watch Hole Plug O-Ring	
15288-14	Bolt M6×16	
15288-15	Dowel Pin	
15288-16	Bolt M6×16	
15288-17	Bolt M6×28	
15288-18	Bolt M6×32	
15288-19	Bolt M6×50	
15288-20	Bolt M6×65	
15288-21	Bolt M6×12	
15288-22	Gear Indicator Pressure Plate	
15288-23	Illuminating Coil	
15288-24	Charging Coil	
15288-25	Induction Coil	

E-9 机油泵OIL PUMP



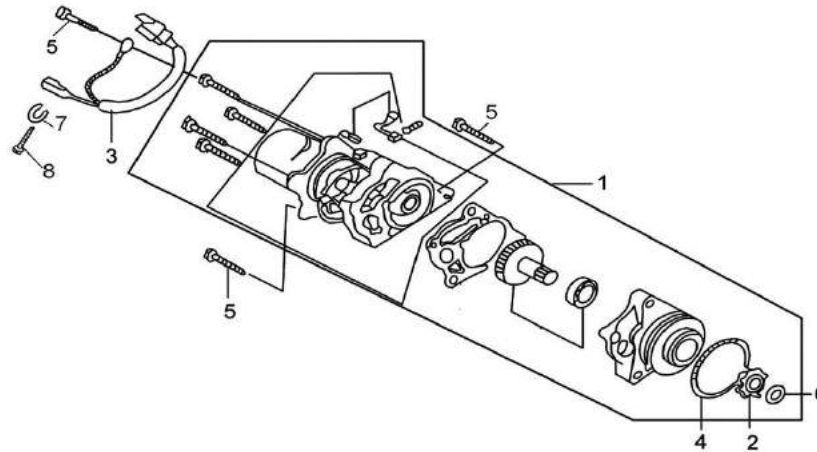
15289-1	Oil Pump Assy	
15289-2	Oil Pump Gasket	
15289-3	Oil Pump Body	
15289-4	Oil Pump Cover	
15289-5	Oil Pump Cover Gasket	
15289-6	Oil Pump Inner Rotor	
15289-7	Oil Pump Outer Rotor	
15289-8	Oil Pump Shaft	
15289-9	Oil Pump Shaft Bush	
15289-10	Sprocket Sleeve	
15289-11	Oil Filter Screen	
15289-12	Screw M5x10	
15289-13	Screw M6x16	
15289-14	Screw M6x22	

E-10 启动离合器 STARTING CLUTCH



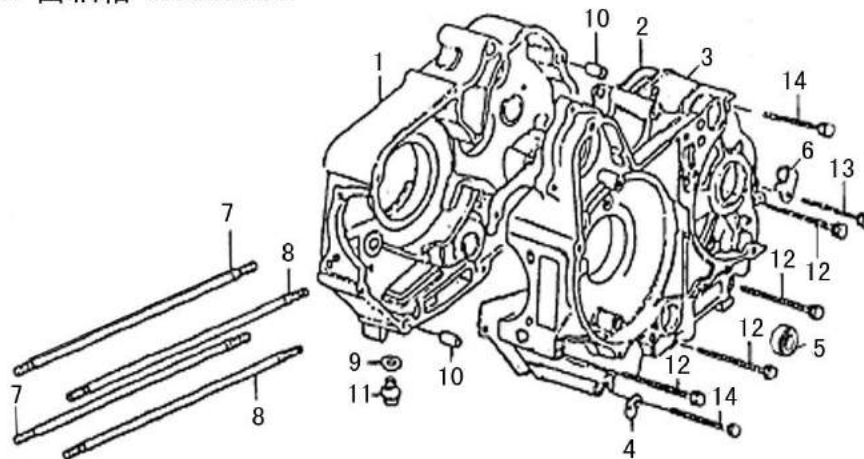
152810-1	Panel	
152810-2	Drive Chain 62T.	
152810-3	Start Chain Tensioning Plate	
152810-4	Start Chain Guide	
152810-5	Starting Clutch Sprocket	
152810-6	Sprocket Locating Plate	
152810-7	Starting Clutch Body Comp.	
152810-8	Starting Clutch Spring	
152810-9	Starting Clutch Spring Sleeve	
152810-10	Starting Clutch Cover	
152810-11	Collar	
152810-12	Needle Bearing	
152810-13	Roller	
152810-14	Start Clutch Cover Pin	
152810-15	Oil Seal	
152810-16	Crankshaft Oil Seal,LH	
152810-17	Magneto O-Ring	
152810-18	Magneto O-Ring II	
152810-19	Screw M6x16	
152810-20	Screw M6x14	
152810-21	Starting Clutch Comp.	
152810-22	Starting Clutch Gear Comp.	
152810-23	Spring Washer 6	
152810-24	Screw M6x14	

E-11 起动电机 STARTING MOTOR



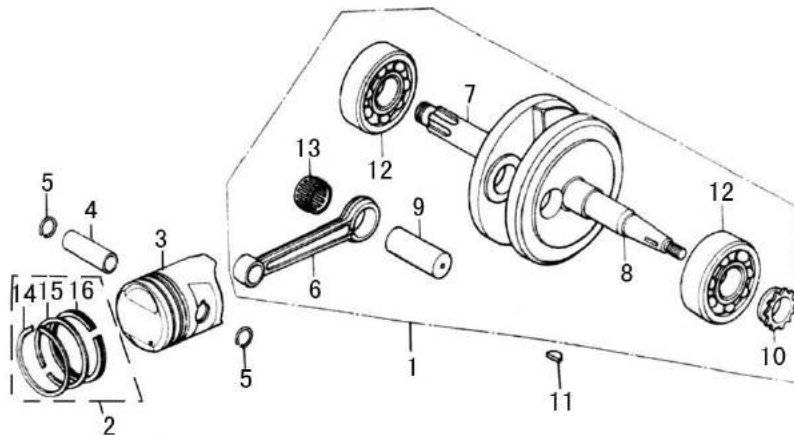
152811-1	Starting Motor Assy	
152811-2	Starting Motor Small Sprocket	
152811-3	Starting Motor Wire Harness	
152811-4	Starting Motor O-Ring	
152811-5	Bolt M6x50	
152811-6	Circlip 12	
152811-7	Washer 4	
152811-8	Screw	

E-12 曲轴箱 CRANKCASE



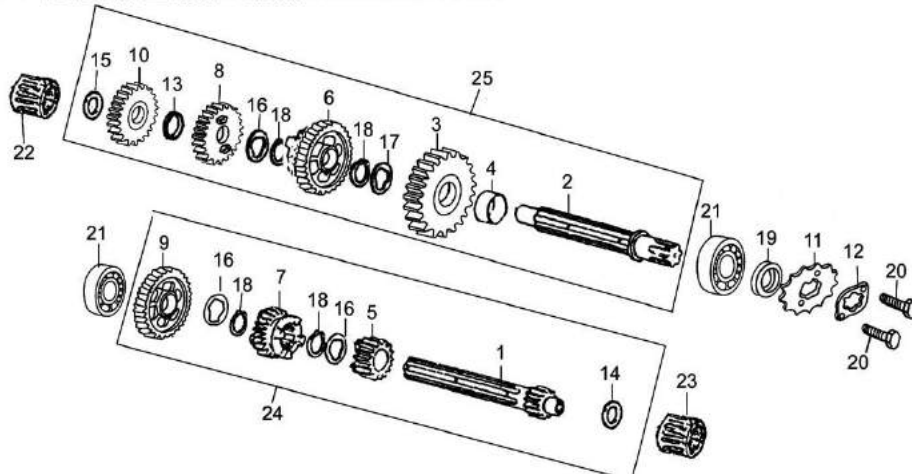
152812-1	Crankcase Comp, RH	
152812-2	Crankcase Gasket	
152812-3	Crankcase Comp., LH	
152812-4	Engine Wire Clamp I	
152812-5	Gearshift Shaft Oil Seal1	
152812-6	Crankcase Waste Pipe Clip II	
152812-7	Cylinder Bolt A	
152812-8	Cylinder Stud B	
152812-9	Drain Plug Washer	
152812-10	Crankcase Dowel Pin	
152812-11	Drain Plug	
152812-12	Bolt M6x65	
152812-13	Bolt M6x50	
152812-14	Bolt M6x60	

E-13 曲轴、活塞CRANKSHAFT & PISTON



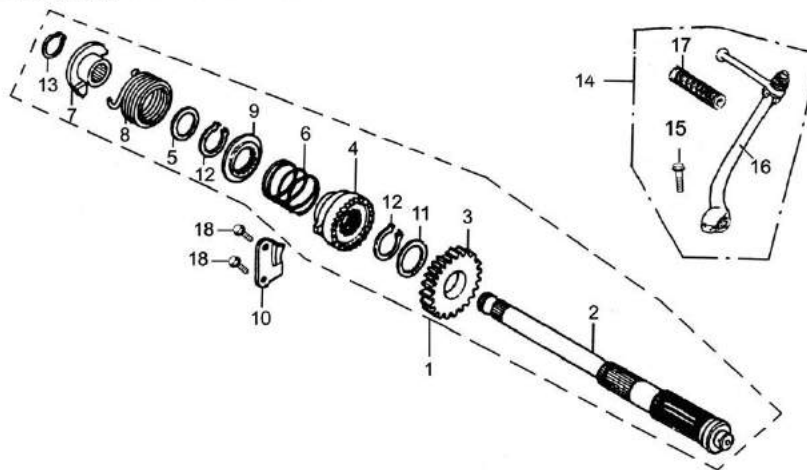
152813-1	Crankshaft & Connecting Rod	
152813-2	Piston Ring Set	
152813-3	Piston	
152813-4	Piston Pin	
152813-5	Piston Pin Circlip	
152813-6	Connecting Rod	
152813-7	Crankshaft, RH	
152813-8	Crankshaft, LH	
152813-9	Crankshaft Pin	
152813-10	Timing Drive Sprocket	
152813-11	Crankshaft Woodruff Key	
152813-12	Bearing 6304	
152813-13	Connecting Rod Big Head Bearing	
152813-14	Piston Ring I	
152813-15	Piston Ring II	
152813-16	3-Piece Oil Ring	

E-14 变速器主轴和副轴TRANSMISSION



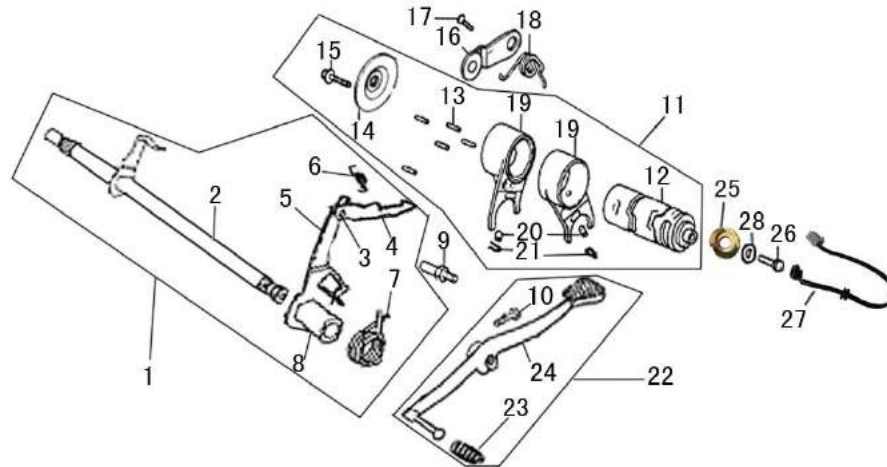
152814-1	Mainshaft	
152814-2	Countershaft	
152814-3	Countershaft 1st Gear	
152814-4	Countershaft 1st Gear Bush	
152814-5	Mainshaft 2nd Gear	
152814-6	Countershaft 2nd Gear	
152814-7	Mainshaft 3rd Gear	
152814-8	Countershaft 3rd Gear	
152814-9	Mainshaft 4th Gear	
152814-10	Countershaft 4th Gear	
152814-11	Output Sprocket	
152814-12	Output Sprocket Locating Plate	
152814-13	Countershaft Washer	
152814-14	Mainshaft Washer	
152814-15	Countershaft Washer II	
152814-16	Mainshaft Spline Washer	
152814-17	Countershaft Spline Washer I	
152814-18	Mainshaft Circlip	
152814-19	Countershaft Oil Seal	
152814-20	Bolt M6x8	
152814-21	Bearing 6203	
152814-22	Countershaft Bearing, RH	
152814-23	Mainshaft Bearing, LH	
152814-24	Mainshaft Assy	
152814-25	Countershaft Assy	

E-15 起动机构 START DEVICE



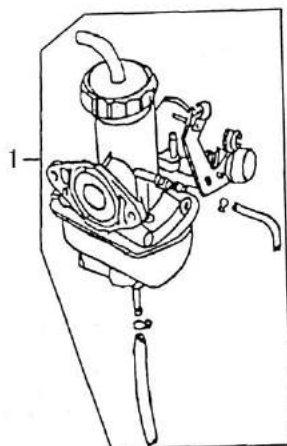
152815-2	Starting Shaft	
152815-3	Starting Gear	
152815-4	Ratchet	
152815-5	Starting Shaft Washer	
152815-6	Starting Shaft Spring	
152815-7	Starting Shaft Spring Seat	
152815-8	Starting Return Spring	
152815-9	Ratchet Spring Seat	
152815-10	Ratchet Guide	
152815-11	Starting Shaft Washer II	
152815-12	Collar	
152815-13	Starting Shaft Snap Ring II	
152815-14	Starting Arm Assy	
152815-15	Bolt M6x20	
152815-16	Starting Arm	
152815-17	Starting Arm Assy Rubber Boot	
152815-18	Bolt M6x20	

E-16 变档机构GEARSHIFT DRUM



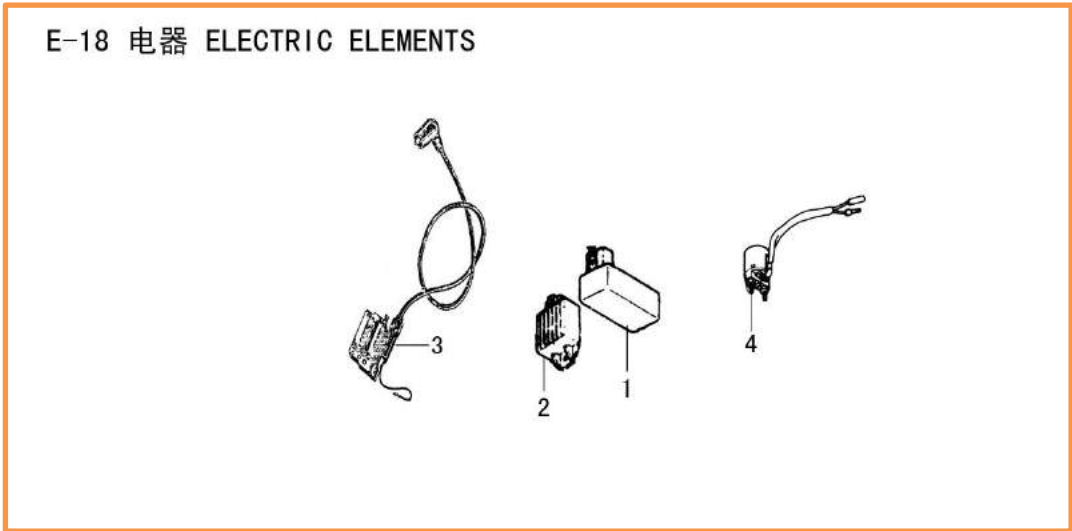
152816-1	Gearshift Shaft Assy	
152816-2	Gearshift Shaft Set	
152816-3	Shifter Pin	
152816-4	Subsidiary Shifter	
152816-5	Gearshift Shifter	
152816-6	Shifter Spring	
152816-7	Gearshift Shaft Return Spring	
152816-8	Gearshift Shaft Sleeve	
152816-9	Return Spring Set Screw	
152816-10	Bolt M6x30	
152816-11	Gearshift Drum Assy	
152816-12	Gearshift Drum	
152816-13	Gear Indicating Pin	
152816-14	Gear Indicating Pin Plate	
152816-15	Bolt M6x12	
152816-16	Gear Setting Plate Comp.	
152816-17	Gear Setting Plate Pin	
152816-18	Setting Plate Torsion Spring	
152816-19	Fork	
152816-20	Gearshift Pin	
152816-21	Clip	
152816-22	Gearshift Pedal Assy	
152816-23	Gearshift Pedal Rubber Boot	
152816-24	Gearshift Pedal Weldment	
152816-25	Gear Indicator Contact Point Comp.	
152816-26	Bolt M6x12	
152816-27	Gear Indicator Contact Point Comp.	
152816-28	Gear Indicating Wire Harness	

E-17 化油器 CARBURETOR



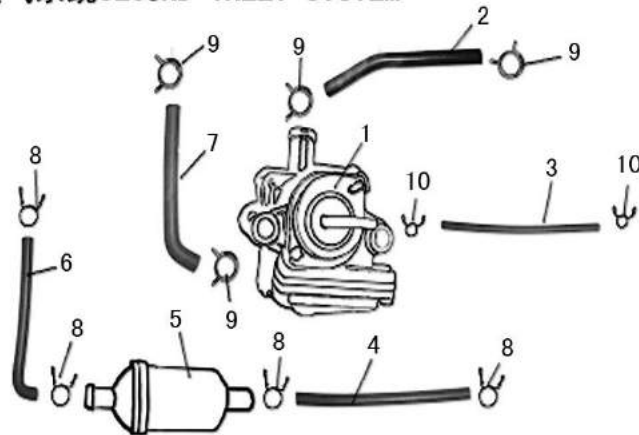
152817-1	Carburetor Assy	
----------	-----------------	--

E-18 电器 ELECTRIC ELEMENTS



152818-1	Ignition Controller	
152818-2	Voltage Regulator	
152818-3	Ignition Coil	
152818-4	Starting Relay	

E-19 二次进气系统SECOND INLET SYSTEM



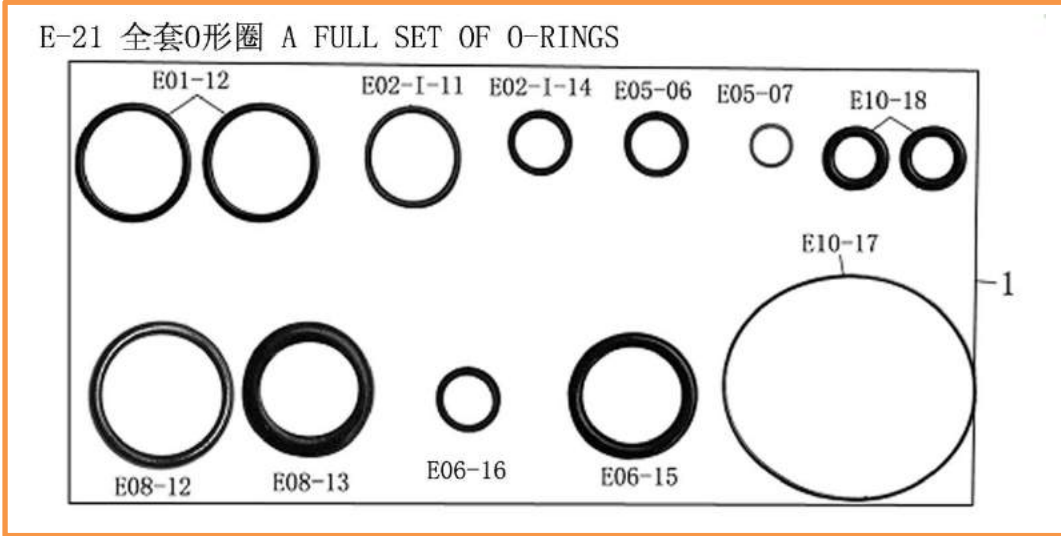
152819-1	Secondary Air Aeration Valve Comp.	
152819-2	Secondary Air Aeration Valve Outlet Pipe	
152819-3	Air Injection Valve Vacuum Pipe	
152819-4	Crankcase Waste Pipe II	
152819-5	Air/Fuel Separator	
152819-6	Crankcase Waste Pipe	
152819-7	Secondary Air Aeration Valve Inlet Pipe	
152819-8	Crankcase Waste Pipe Clip	
152819-9	Secondary Air Aeration Valve Clamp	
152819-10	Crankcase Waste Pipe Clip II	

E-20全套纸垫 A FULL SET OF GASKETS



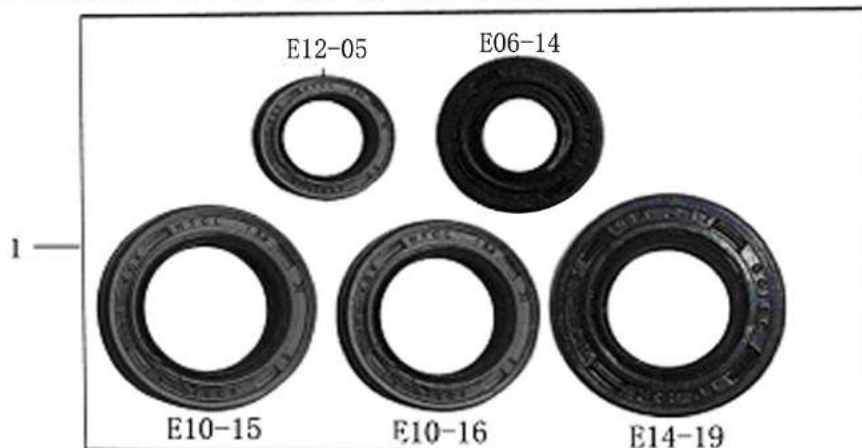
1

152820-1	A Full Set Of Gaskets	
----------	-----------------------	--



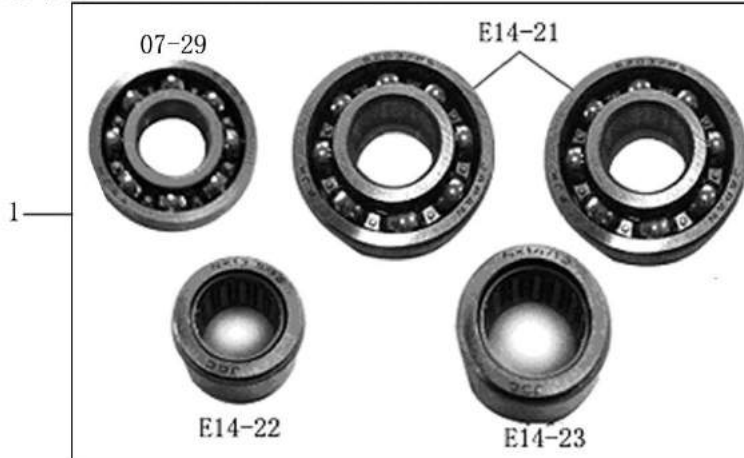
152821-1	A Full Set Of O-Rings	
----------	-----------------------	--

E-22 全套油封 A FULL SET OF OIL SEALS



152822-1	A Full Set Of Oil Seals	
----------	-------------------------	--


E-23 全套轴承 A FULL SET OF BEARINGS



152823-1	A Full Set Of Bearings	
----------	------------------------	--

LF125-AR

Parts Catalog

- **Always wear a helmet while driving Motorcycles**
 - **Always have your headlights on while driving, even during the day – for safety reasons and longer battery life**
 - **Make sure all lights work properly at all times**
 - **Always drive with Insurance Coverage, Licensed Motorcycle and Motorcycle Driver's License**
 - **Change oil (SAE15W/40SE) after the first 500 KMs and after every 2,000 KMs**
 - **Use Regular Gas**
 - **Always Drive with Awareness for SAFETY.**
- 



Meilun Motorcycle Warranty Policy

Meilun Motorcycles are under 3 months or 2,000 KMs warranty – whichever comes first. Specific items under warranty are:

- The Engine, and its related parts
- Cables, Horn, Switches
- And any other manufacturer's defect on motorcycle.

The following items are *not* covered under this warranty:

- Tires, Tubes, Chain & Sprockets
- Covers, Mirrors, Light Lenses, Alarm System
- Battery – unless convincing evidence shows defect
- And any other damages or wear & tear occurring under the owner's care.