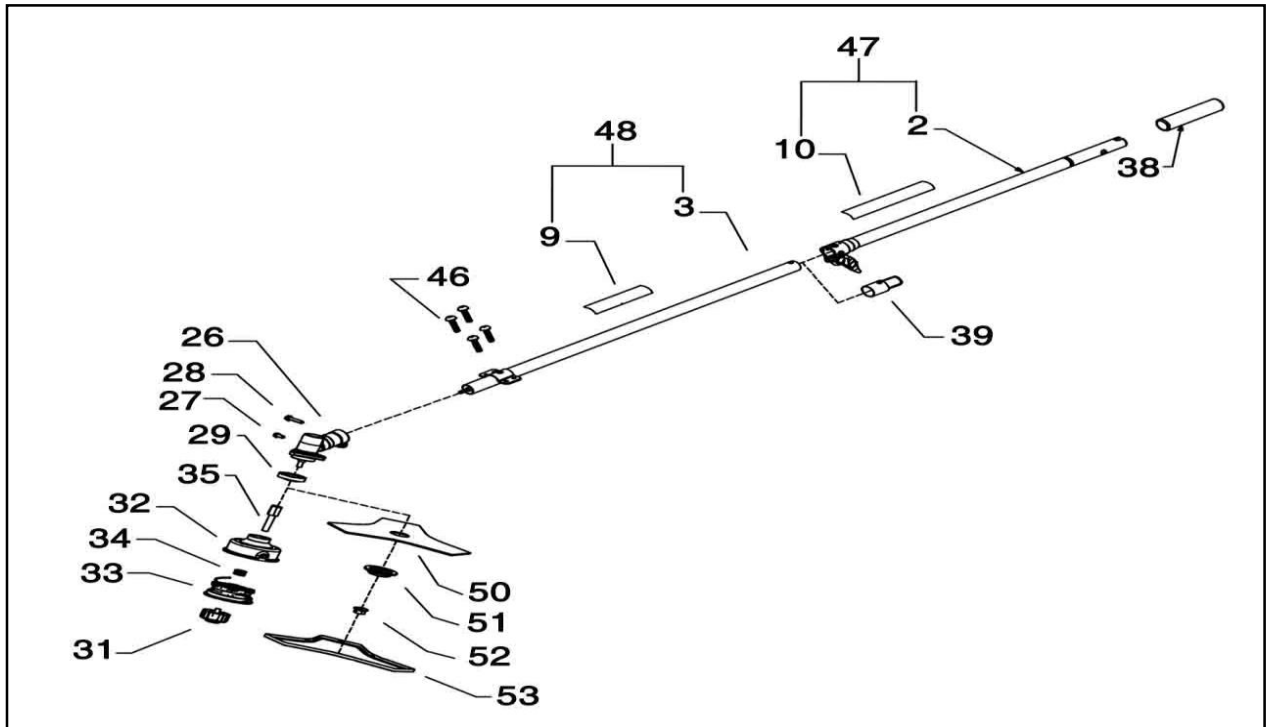
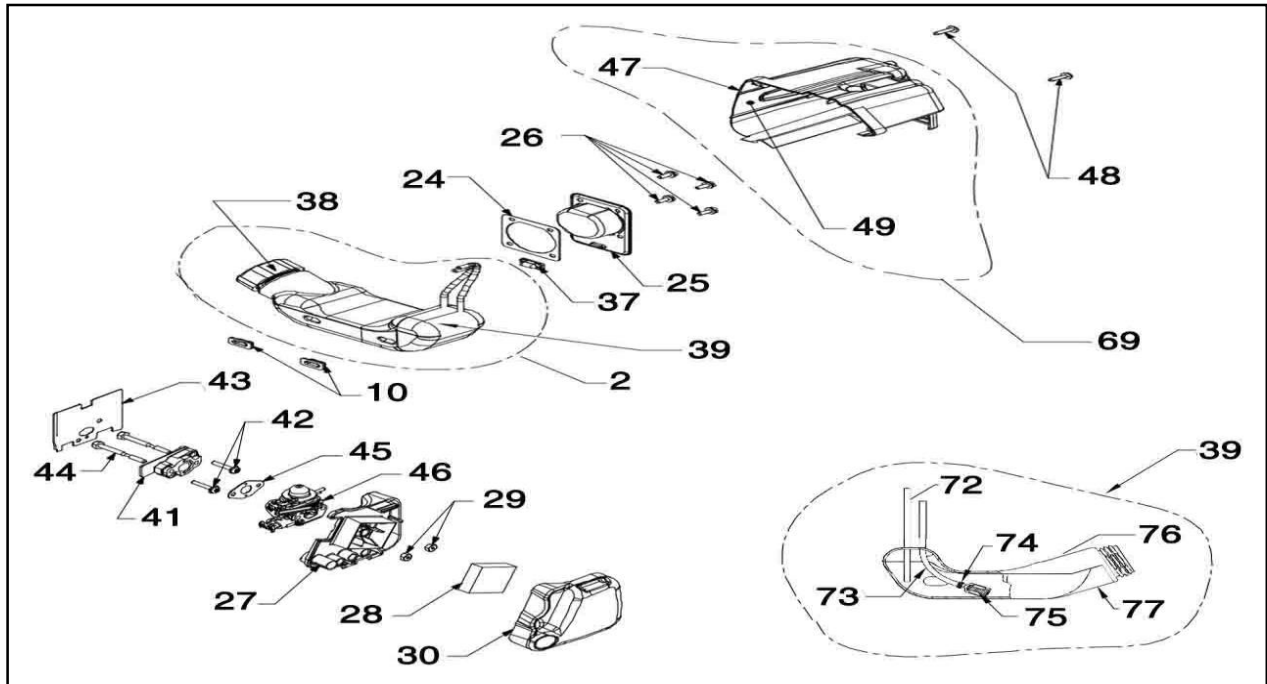


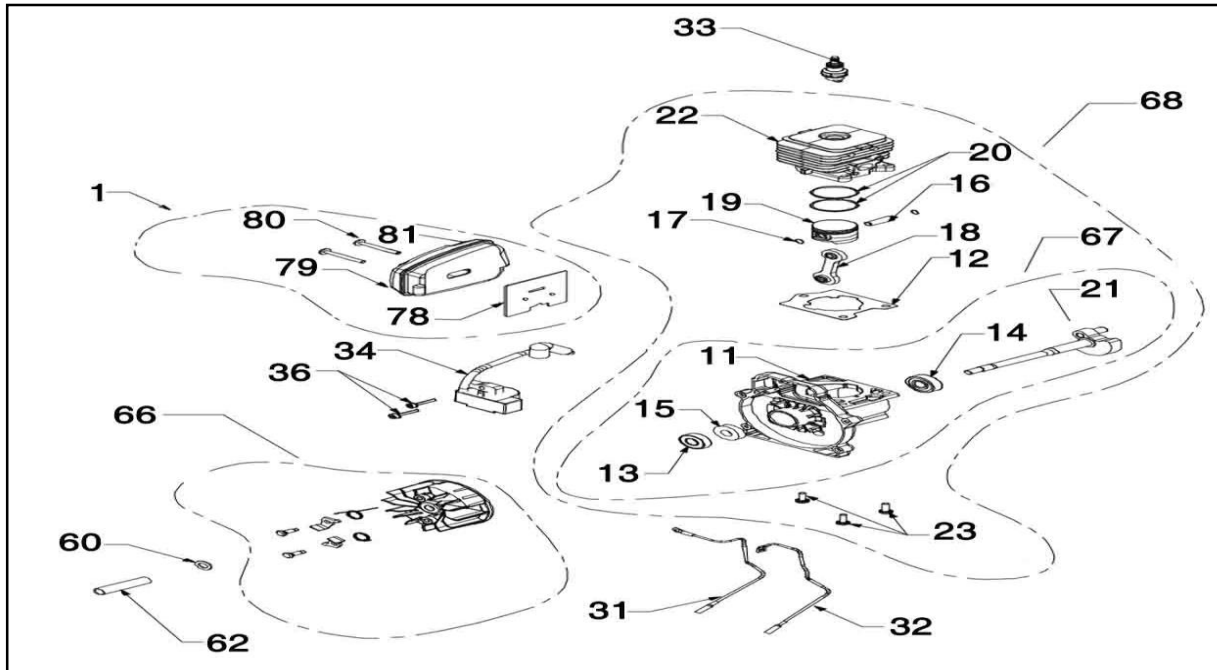
1	000998143	30cc CE Power Head with Decals \ F3045	
16	660618002	TRUSS HD.SCREW (200)	
17	290205001	LEAD, ELECTRICAL (ASSY)	
18	518009001	HANDLE, CONTROL-R/H	
19	518010001	HANDLE, CONTROL-L/H	
20	518011002	INTERLOCK, THROTTLE (RYOBI YELLOW)	
21	308026001	THROTTLE CABLE	
22	678021001	TORSIONAL SPRING	
23	518012002	TRIGGER, ZIP START (RYOBI YELLOW)	
24	760345001	SWITCH	
37	660616001	ST SCREW #10-24	
41	308161001	STRING SHIELD ASSEMBLY With Decal	
43	308057001	STRING SHIELD ASSY	
44	518017001	BLADE GUARD CCW	
45	308048001	MOUNTING PLATE	
55	308046001	J-HANDLE & GRIP	



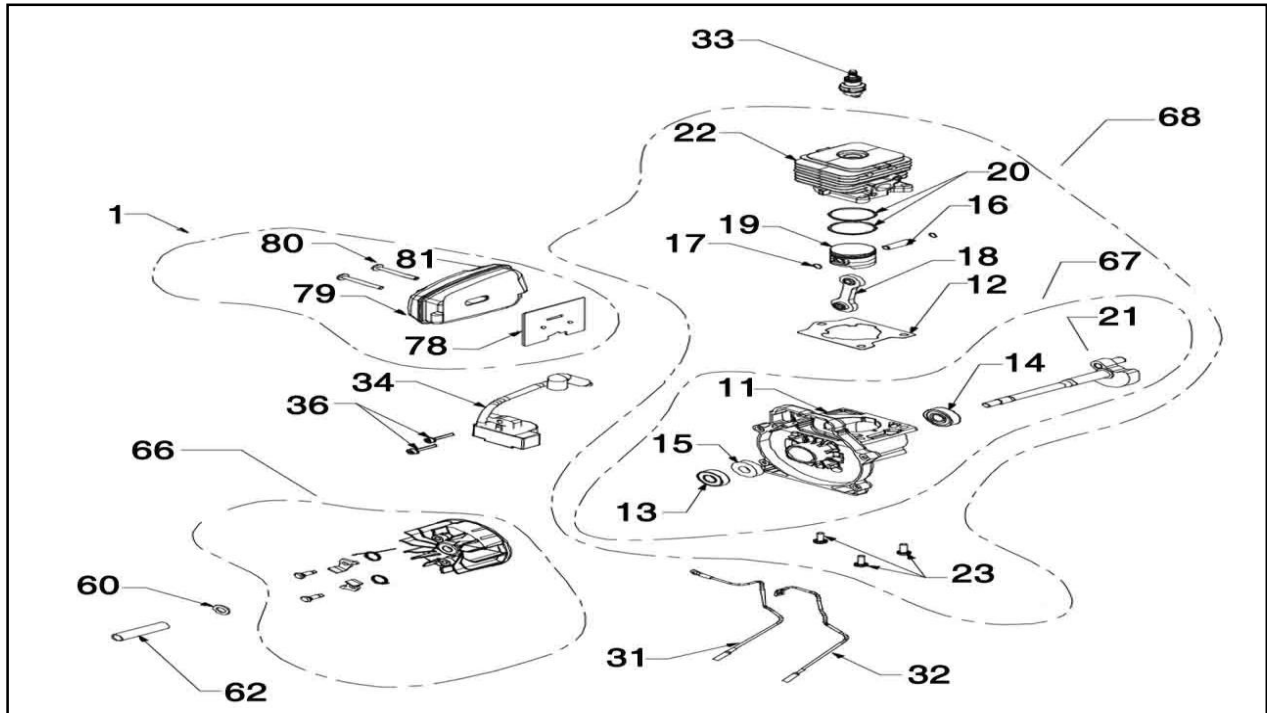
2	308049001	UPPER DRIVE SHAFT	
3	308035001	BRUSHCUTTER LOWER DRIVE	
9	940230071	LABEL,WARNING \ ON EXTENSION SHAFT	
10	940230070	LABEL,WARNING \ ON POWER HEAD SHAFT	
26	308210001	GEAR BOX ASSEMBLY (FOR CUTTING GEAR)	
27	660641001	SCREW 10-24 X0.625 TAPTITE	
28	660642001	SCREW 1/4 - 20 X 1.25 TAP	
29	678011001	WASHER FLANGED	
31	308042003	SPOOL RETAINER LHT RED	
32	308043001	HOUSING AND EYELETS	
33	308044001	SPOOL AND STRING .095 (ORANGE)	
34	678022001	SPRING COMPRESSION	
35	678019001	SHAFT, ADAPTER/1986	
38	570233001	INTERNATIONAL FOAM SPACER	
39	518019001	END CAP - STORAGE	
46	660644001	SCREW	
47	308159001	UPPER BOOM ASSEMBLY WITH DECAL	
48	308160001	LOWER DRIVE SHAFT HSG ASSY WITH DECAL	
50	984227001	TRIARC BLADE	
51	638017001	CUPPED WASHER (ST285B)	
52	678018001	NUT , LOCK	
53	518018001	Blade Cover	



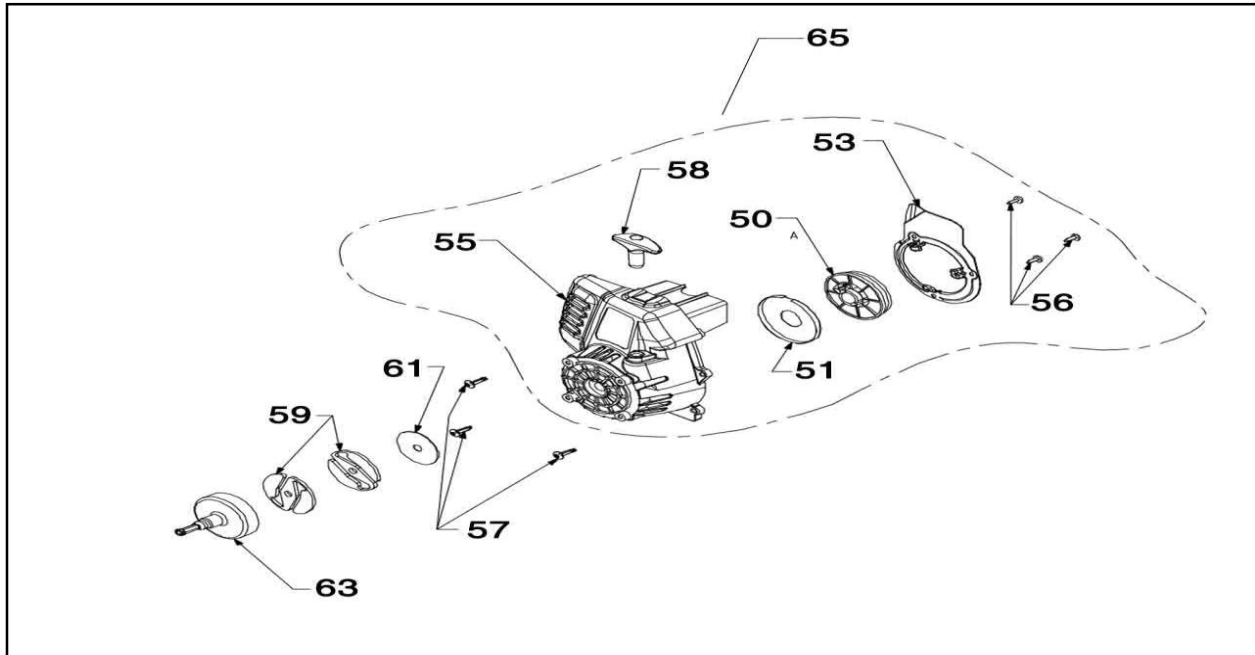
2	308181001	FUEL TANK & FUEL CAP ASSY	
10	570256001	BUMPER	
24	900954001	GASKET C/C COVER	
25	638031001	CRANKCASE COVER	
26	660664001	PAN HEAD SCREW	
27	518094001	PLASTIC, AIR BOX BASE \ BLK \ PS02113	
28	900952001	AIR FILTER	
29	678027001	NUT LOC HX 10-24	
30	308182001	PLASTIC, COVER AIR BOX WITH DECALS	
37	570549001	RUBBER BUMPER	
38	308642002	FUEL CAP ASS'Y\ W\ RETAINER \ KZ ENGINE	
39	308174001	FUEL TANK ASSEMBLY	
41	518070001	HEAT DAM	
42	660662001	PAN HEAD SEMS SCREW	
43	900994003	GASKET, HEAT DAM \ 06900A	
44	660661001	CARB. BOLT\ 04474	
45	900994004	GASKET, CARBURETOR \ 98766A	
46	308002001	SIMPLE START CARBURETOR Y	
72	570259004	TUBING RUBBER L=152.4+/-1.60MM	
73	570259005	TUBING RUBBER L=196.85+/-1.60MM	
74	690765001	CLAMP , HOSE	
75	300759005	FILTER , FUEL	



1	308173001	MUFFLER & BOLTS & GASKET ASSY \PA01073	
11	640752003	CASTING, ADC12, CRANKCASE,	
12	900953001	GASKET. CYLINDER	
13	650011001	BEARING, BALL	
14	671089001	BALL BEARING STEEL\ ID12x32x10	
15	650012001	SHFT SEAL ST155-385	
16	650008001	PIN, PISTON	
17	650009001	RING,RETAINING	
18	308147002	CONNECTION ROD 30CC &25CC	
19	640831001	PISTON W\PINS, 30CC	
20	678001001	RING, PISTON 30CC	
21	308175001	CRANKSHAFT	
22	640869003	30CC HONED CE CYLINDER	
23	660663001	SCREW 12-24X.660 PAN TORX	
31	290222001	ELECTRICAL LEAD, STOP SWITCH \ A06963	
32	290223001	ELECTRICAL LEAD, KILL \ A06964	
33	870144002	SPARK PLUG W/ NON-CEMENTE	



34	308064001	IGN MODULE	
36	660660001	SCREW THD FORMING	
60	650017001	WASHER FLAT	
61	638090001	STAMPING, WASHER \ 98929A	
62	638091001	SPACER, STEEL \ PS04300	
66	300952001	FLYWHEEL ASSY \ PA00634	
67	308179001	CRANKCASE ASSY	
68	308180001	Head & Crankcase Assy.	
78	900994007	GASKET , MUFFLER CE	
79	308190003	MUFFLER & DEFLECTOR ASSY	
80	660638003	SCREW, #10-24x 2 1/7 " \ BLACK PHOSPHATE	
81	638094002	PLATE , REINFORCEMENT	



50	518098001	PLASTIC, PULLEY \ BLK	
51	638033001	SPRING& CONTAINER	
53	638087001	STAMPING, AIR BAFFLE PLATE	
55	308176001	STARTER HOUSING & EYELET ASSY	
56	660694001	ST SCREW, #8-16 TORX \ BLACK PHOSPATE	
57	660630002	ST SCREW,STEEL #10-24 x3/4"	
58	518073001	PLASTIC,STARTER GRIP (RYOBI YELLOW)	
59	638089001	STAMPING, CLUTCH, STEEL \ 00242	
61	638090001	STAMPING, WASHER \ 98929A	
63	308177001	DRUM & CONNECTOR\PA01613	
65	308178002	STARTER HOUSING ASSY	